

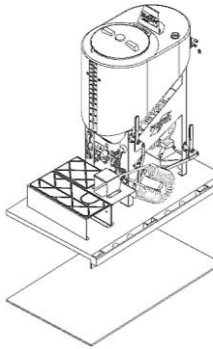
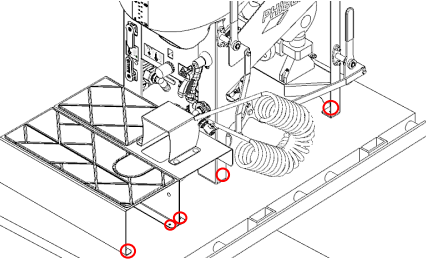
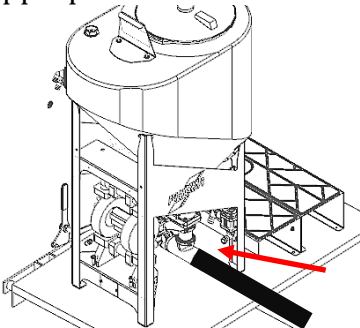
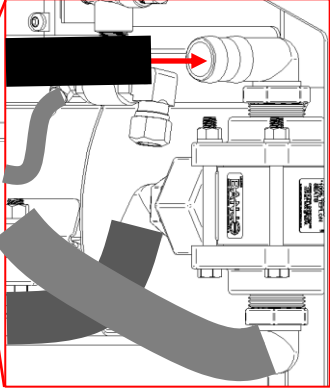
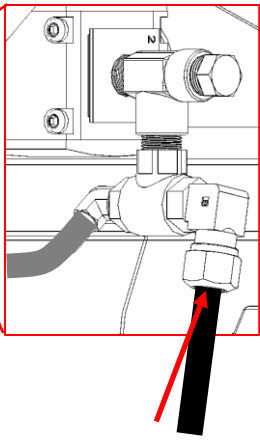
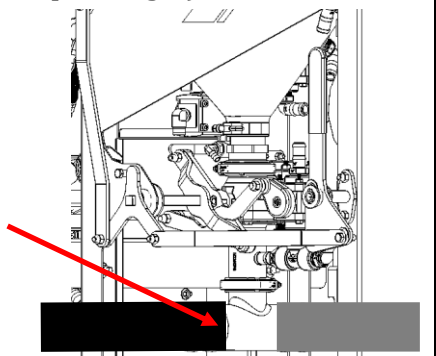


P.O. Box 58, Crystal City, MB R0K 0N0 / P.O Box 54, Sarles, ND 58372

Quick Start Guide – KIT400153 DASH 1.6 PRIMARY

Installation

Refer to operators manual for complete safety and operation info.

<p>1 -</p> <p>Place DASH unit on deck at desired location.</p> 	<p>2 -</p> <p>Drill holes into trailer through dash feet, secure with 1/2" fasteners.</p> 	<p>3 -</p> <p>Attach 3" water supply hose to appropriate hose barb.</p> 
<p>4 -</p> <p>Attach 1" water supply line to rinse source valve</p> 	<p>5 -</p> <p>Attach 3/8" airline to air supply line.</p> 	<p>6 -</p> <p>Attach 3" output hose to tee, opposite water supply hose. Attach OUTPUT hose to pump. (The pump pulls water, rather than pushing it)</p> 

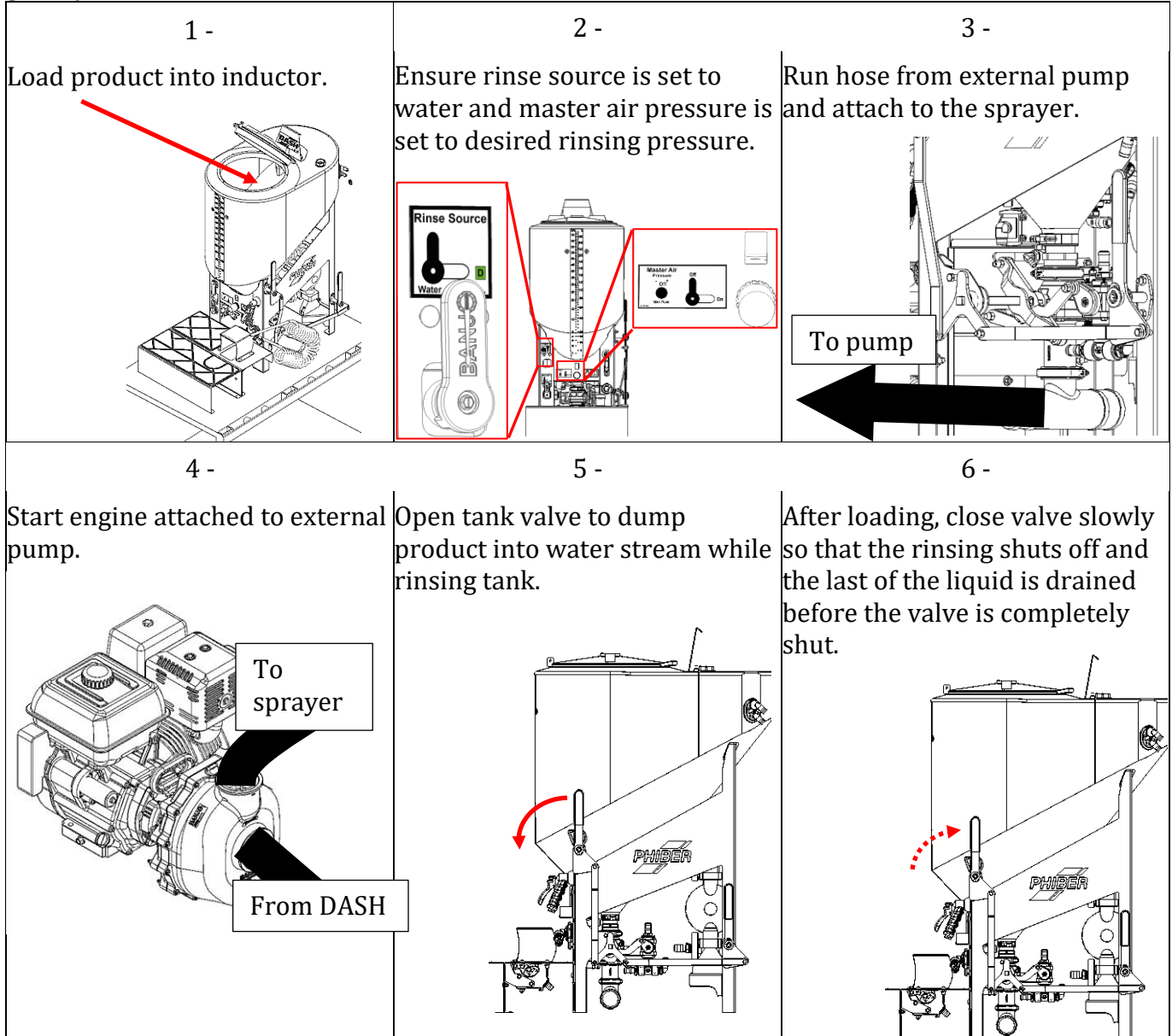
DOC400103



P.O. Box 58, Crystal City, MB R0K 0N0 / P.O Box 54, Sarles, ND 58372

Product Use

(For single inductor. For use with multiple inductors, refer to secondary 1.4 DASH quick start guide.)



DOC400103