

The Dash Delivery System



Model: Dash 2.6 & 4.6



INNOVATIONS FOR PROGRESSIVE PEOPLE

PARTS MANUAL

www.phiber.ca

DASH 4.6

DASH MID-MOUNT ASSEMBLY.....1

MID-MOUNT WORKING PLATFORM.....2

MID-MOUNT FRAME.....3-4

REAR-MOUNT ASSEMBLY.....5

REAR-MOUNT WORKING PLATFORM.....6

REAR-MOUNT FRAME.....7-8

LINKAGE.....9

SUCTION.....10

RINSE.....11

TANKS.....12

SCHEMATIC.....13-14

DASH 2.6

DASH 2.6 ASSEMBLY.....15

TANKS.....16

FRAME.....17-18

LINKAGE.....19

RINSE.....20

SCHEMATIC.....21-22

SUCTION.....23

SINGLE INDUCTOR

DASH I.6 PRIMARY FRAME.....25

DASH I.6 PRIMARY FITTINGS.....26

DASH I.6 PRIMARY PARTS LIST.....27-28

DASH I.6 PRIMARY SCHEMATIC.....29

DASH I.6 SECONDARY FRAME.....31

DASH I.6 SECONDARY FITTINGS.....32

DASH I.6 SECONDARY PARTS LIST.....33

DASH I.6 SECONDARY SCHEMATIC.....34

OPTIONS

AH TANK..... 35

DS TANK..... 36

JUG RINSE KIT 37

TANK KNIFE KIT 38

CAGE ASSEMBLIES..... 39-40

TOTE RINSE KIT 41

BAG HOLDER..... 42

BOOM ARM KIT 43

DUAL BOOM KIT 44

SECTIONAL BOOM ARM..... 45-46

SECTIONAL DUAL BOOM ARM..... 47-48

STANDALONE BOOM KIT 49

AUX BOOM HANDLE 50

TANK SIGHT GLASS..... 51

3" FLOW METER..... 52

MANIFOLD ASSEMBLY..... 53

3" TRAILER BULKHEAD..... 54

LIGHT ASSEMBLY..... 55

FIRE NOZZLE KIT..... 56

TOTE PLATFORMS..... 57-58

TRAILER STEPS..... 59-60

CAGE TOTE TRANSFER HOSES..... 61-62

AUXILIARY REFILL KITS..... 63-64

BOOM BLOWOUT KIT..... 65-66

RAMP KIT..... 67

PLATFORM CARGO NET KIT 68

AIR DIAPHRAGM PUMP KITS..... 69-70

STACKING AIR DIAPHRAGM PUMP KITS..... 71-72

10' LADDER..... 73

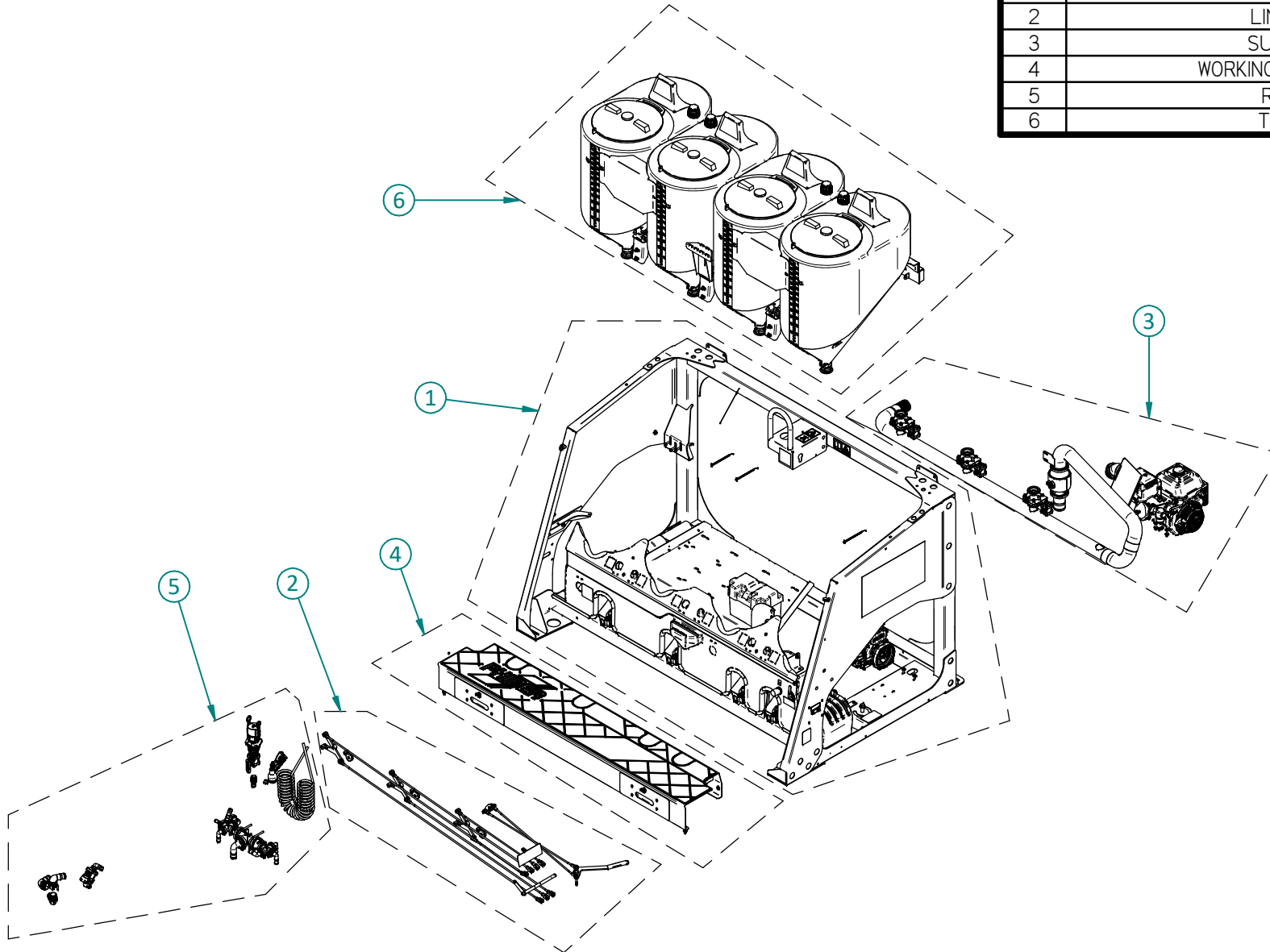
60 GAL AIR STORAGE.....	74
TANK REFILL KITS.....	75-76
ELECTRIC HOSE REEL KIT.....	77
TOTE TRANSFER HOSE 10'.....	78
UNDER DECK PUMP MOUNT KITS.....	79-80
AGITATE KIT GEN 2.....	81
FILTER KIT.....	82
PRESSURE WASHER KIT.....	83
AUXILIARY METER KIT.....	84
JERRY CAN KITS.....	85
200 GALLON FUEL TANK KIT.....	86
INLET HOSE KIT.....	87
BOOST KIT.....	88
TRAILER LIGHTING PACKAGE.....	89
SOLAR CHARGER.....	90
HUNTER BROTHERS SPECIAL EDITION KITS.....	91-94
ELLIPTICAL LEG TANKS.....	95-103
1065 GAL TANK KIT.....	105
735 GAL TANK KIT.....	106
ELLIPTICAL LEG TANKS WITH AXLES.....	107-109
HONDA PUMP KITS.....	111-114

4.6

CENTER MOUNT DASH 4.6

KIT400145

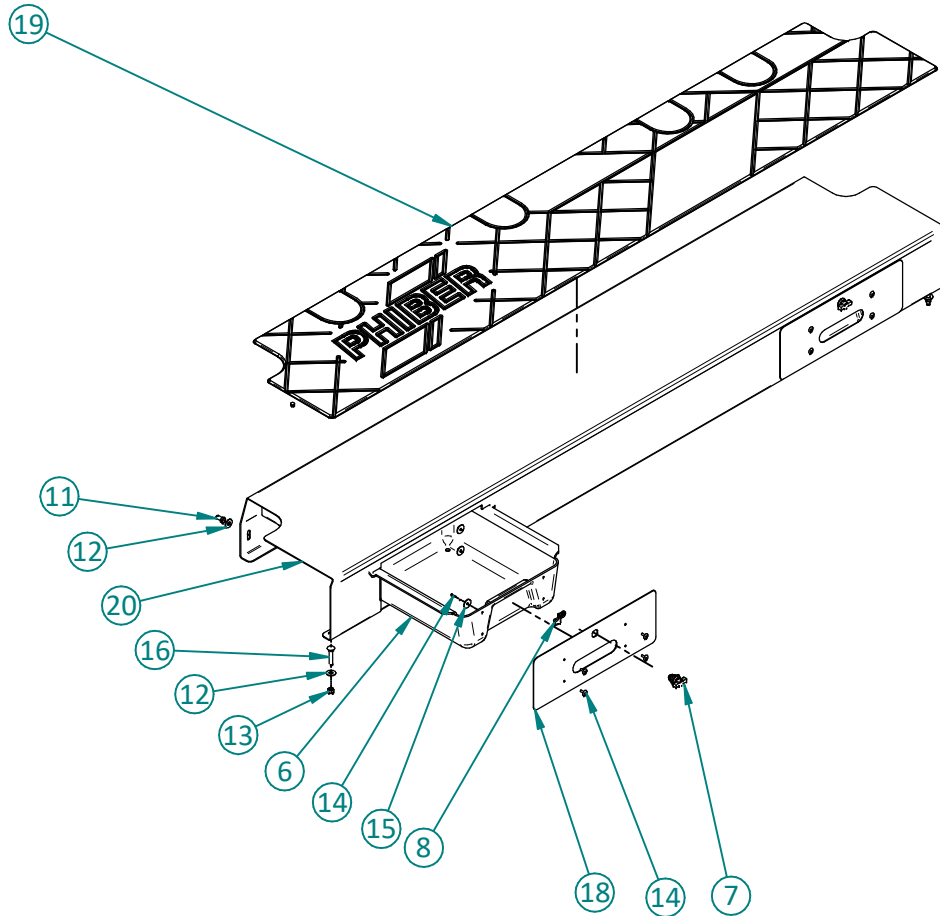
ITEM	DESCRIPTION
1	FRAME
2	LINKAGE
3	SUCTION
4	WORKING PLAFORM
5	RINSE
6	TANKS



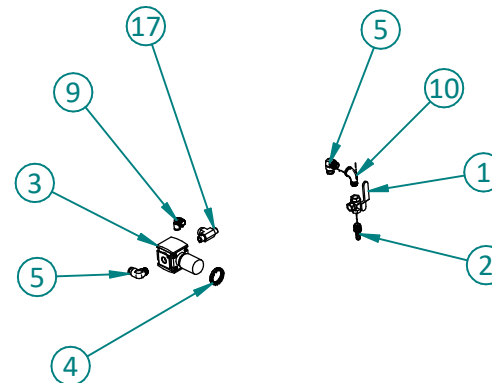
4.6

CENTER MOUNT DASH 4.6

KIT400145



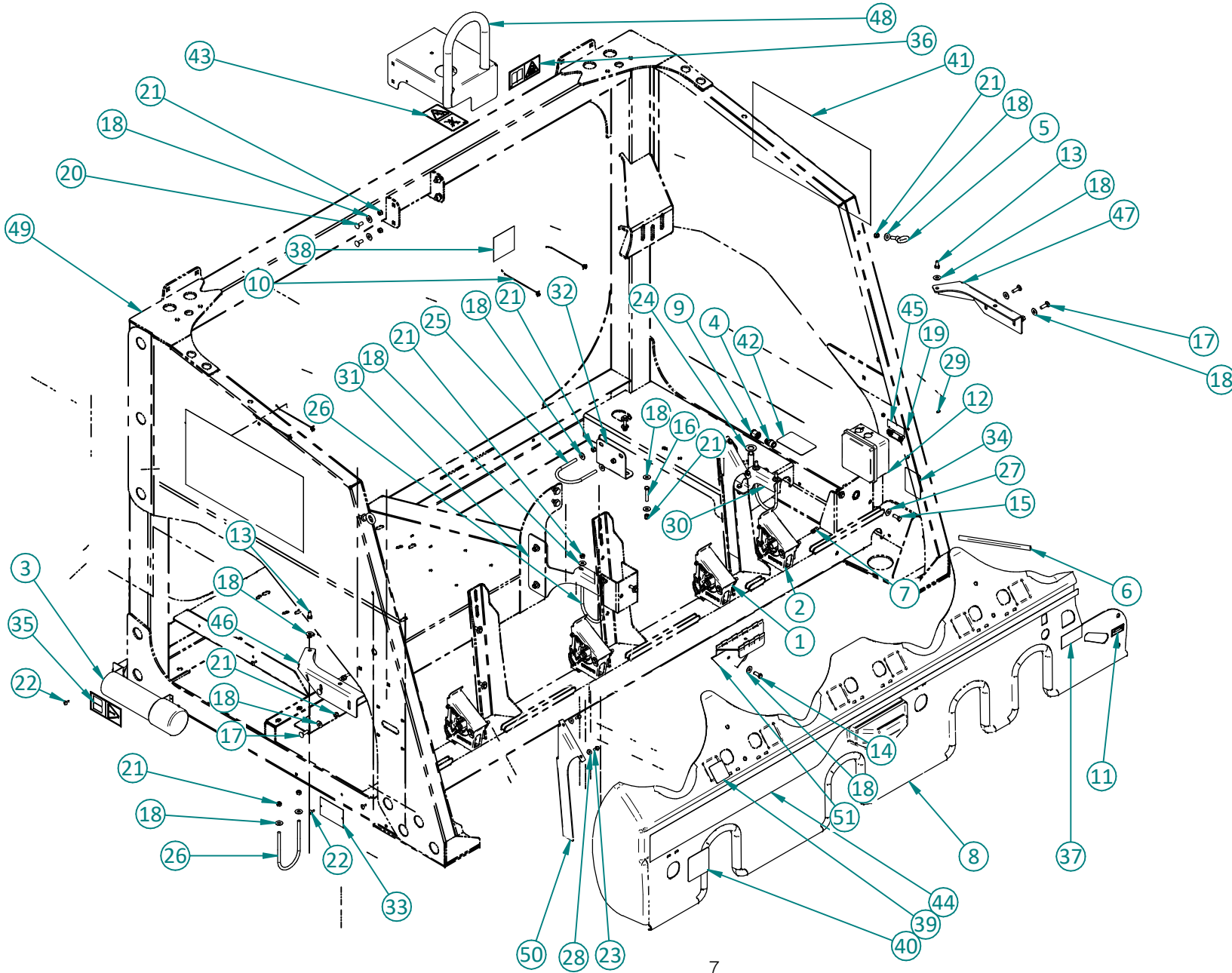
ITEM	PART NO.	DESCRIPTION	QTY
1	CMP400254	3/8" THREE WAY BRASS BALL VALVE	1
2	CMP400292	BR ADAPTER 3/8" MNPT X 3/8" HB	1
3	CMP400343	3/8 AIR REGULATOR	1
4	CMP400355	PANEL NUT	1
5	CMP400619	BR ELBOW 90 DEG 3/8" MNPT X 1/2"	2
6	CMP400798	PLASTIC STEP BOX	2
7	CMP400808	QUARTER TURN WING KNOB	2
8	CMP400809	CAM LOCK	2
9	CMP401219	PL ELBOW 90 DEG 3/8 MNPT X 3/8	1
10	CMP401220	BR ELBOW 90 DEG 3/8 MNPT X 3/8	1
11	FST100140	3/8" X 3/4" CAP SCREW	2
12	FST100150	3/8" FLAT WASHER	4
13	FST100206	3/8" LOCKNUT	2
14	FST100228	POP RIVET STEEL 3/16 X 1/2 X 5/8	8
15	FST100298	3/16" FENDER WASHER	8
16	FST100403	3/8" X 2" CARRIAGE BOLT	2
17	HYD100852	ST TEE BRANCH 06 MNPT X 06 FNPT	1
18	PCT400947	DRAWER FACE PLATE	2
19	SAF400135	DASH 4 STEP DECAL	1
20	WLD400321	WORK STEP WELDT DASH 4.X GEN 4	1



4.6

CENTER MOUNT DASH 4.6

KIT400145



4.6

CENTER MOUNT DASH 4.6

KIT400145

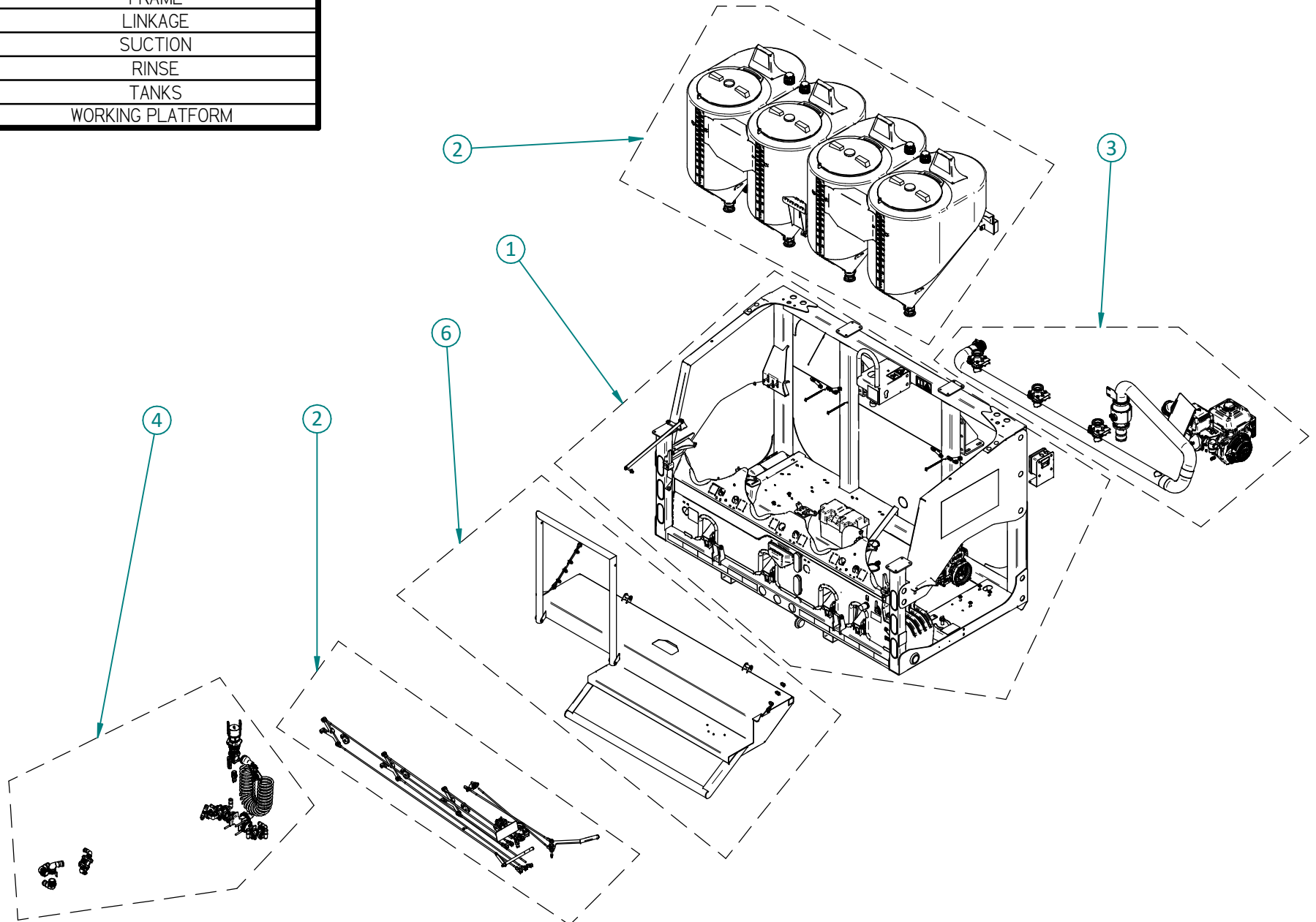
ITEM	PART NO.	DESCRIPTION	QTY	ITEM	PART NO.	DESCRIPTION	QTY
1	ASM400203	FOOT PEDAL W/ AIR VALVE	3	35	SAF200104	READ SAFETY MANUAL	1
2	ASM400288	FOOT PEDAL W/ AIR VALVE, H, R TANK	1	36	SAF400037	CHEMICAL WARNING READ MANUAL	1
3	CMP100313	MANUAL CANISTER	1	37	SAF400041	MASTER AIR DECAL	1
4	CMP400605	BR ADAPTER 3/8" MNPT X 1/2" FPTC	1	38	SAF400047	HOSE RINSE DECAL	1
5	CMP400687	3/8 X 1 1/4 MACHINED EYEBOLT	2	39	SAF400052	AGITATE D DECAL	1
6	CMP400723	3/8" X 9/16" TALL RUBBER TRIM	1	40	SAF400056	RINSE SOURCE DECAL	1
7	CMP400746	1/2" SPEEDFIT PLUG	1	41	SAF400059	PHIBER 12.625" X 23" DECAL	2
8	CMP400843	VALVE COVER PANEL	1	42	SAF400062	MASTER WATER DECAL	1
9	CMP401218	BR COUPLER 08 FNPT X 08 FNPT	1	43	SAF400087	DECAL, FALL HAZARD	1
10	CMP401278	PUSH MOUNT CABLE TIE 8" 50LB	4	44	SAF400097	DASH 4.6 DECAL	1
11	CMP500066	DECAL GREASE	1	45	SAF400143	LIGHT SWITCH DECAL	1
12	ELCI00910	FUSE BOX	1	46	WLD400196	TANK MOUNT WLDT RH	1
13	FST100140	3/8" X 3/4" CAP SCREW	2	47	WLD400197	TANK MOUNT WLDT LH	1
14	FST100141	3/8" X 1" CAP SCREW	8	48	WLD400279	HANDLE MOUNTING BLOCK	1
15	FST100141	3/8" X 1" CAP SCREW 316-SS	3	49	WLD400311	FRAME WLDT 4.6	1
16	FST100143	3/8" X 2" CAP SCREW	2	50	WLD400324	MANIFOLD COVER BRACKET WLDT	2
17	FST100146	3/8" x 1 1/4" CARRIAGE BOLT	4	51	WLD400325	STEP WELDMENT	1
18	FST100150	3/8" FLAT WASHER	38				
19	FST100150	3/8" FLAT WASHER	4				
20	FST100199	3/8" x 1" CARRIAGE BOLT	8				
21	FST100206	3/8" LOCKNUT	26				
22	FST100228	POP RIVET STEEL 3/16 X 1/2 X 5/8	4				
23	FST100247	1/4" X 3/4" FLANGE BOLTS 316-SS	4				
24	FST100404	3/4" WASHER HARDENED	1				
25	FST100826	3/8" X 3 1/2" X 4 3/4" U-BOLT	1				
26	FST100891	3/8" X 3 1/2" X 6 3/4" U-BOLT	3				
27	FST100910	3/8" SS FLAT WASHER	3				
28	FST100925	1/4" FLAT WASHER SS	4				
29	FST101019	#6 X 1/2" PAN HEAD PHILLIPS	4				
30	PCT400755	MANIFOLD MOUNT BRKT	1				
31	PCT400755	MANIFOLD MOUNT BRKT	1				
32	PCT400872	3" VALVE MOUNT BRKT	1				
33	SAF100100	SERIAL NUMBER PLATE	1				
34	SAF100762	VERTICAL TRAINING QR DECAL	1				

4.6

REAR MOUNT DASH 4.6

KIT400178

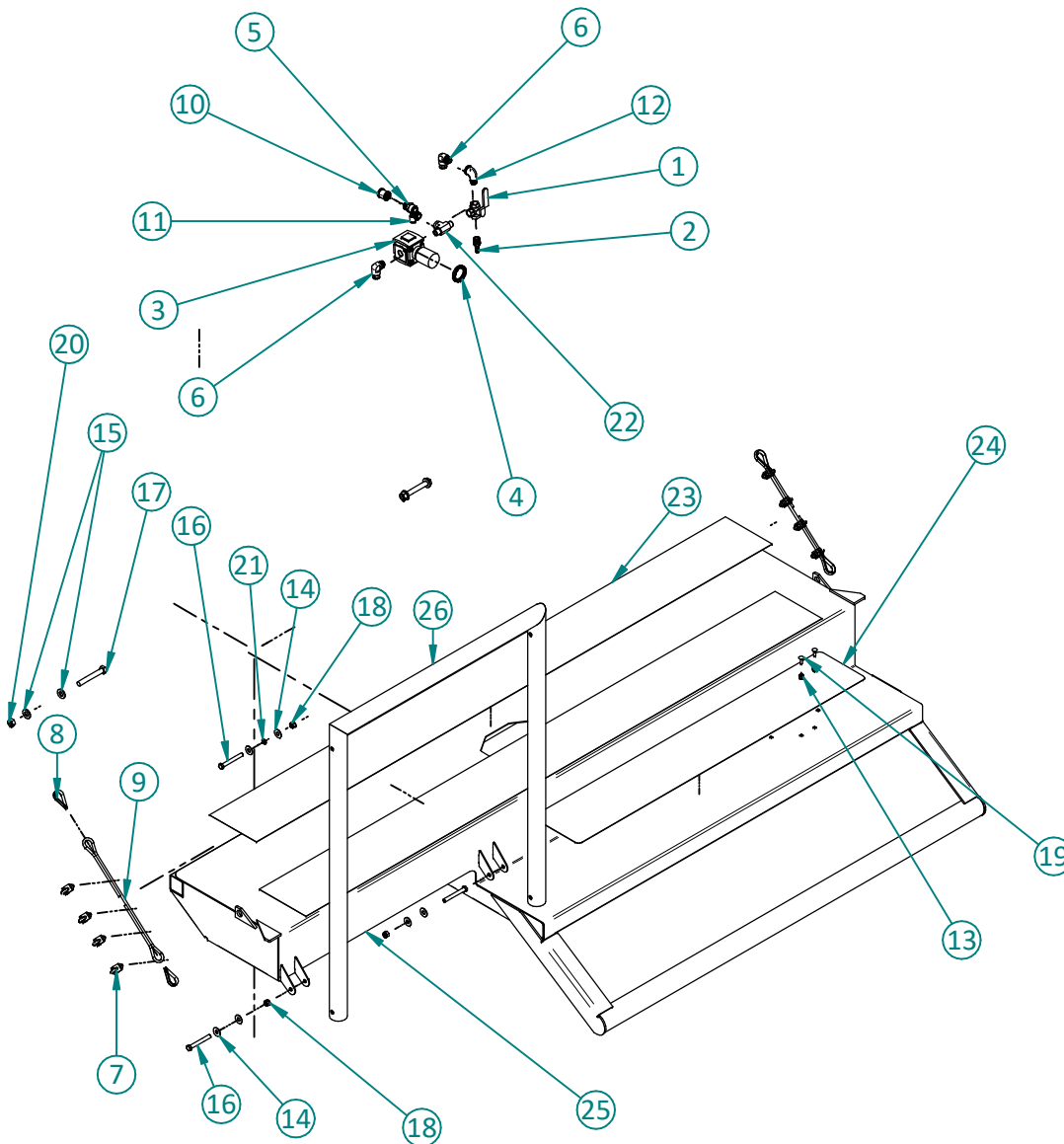
ITEM	DESCRIPTION
1	FRAME
2	LINKAGE
3	SUCTION
4	RINSE
5	TANKS
6	WORKING PLATFORM



4.6

REAR MOUNT DASH 4.6

KIT400178

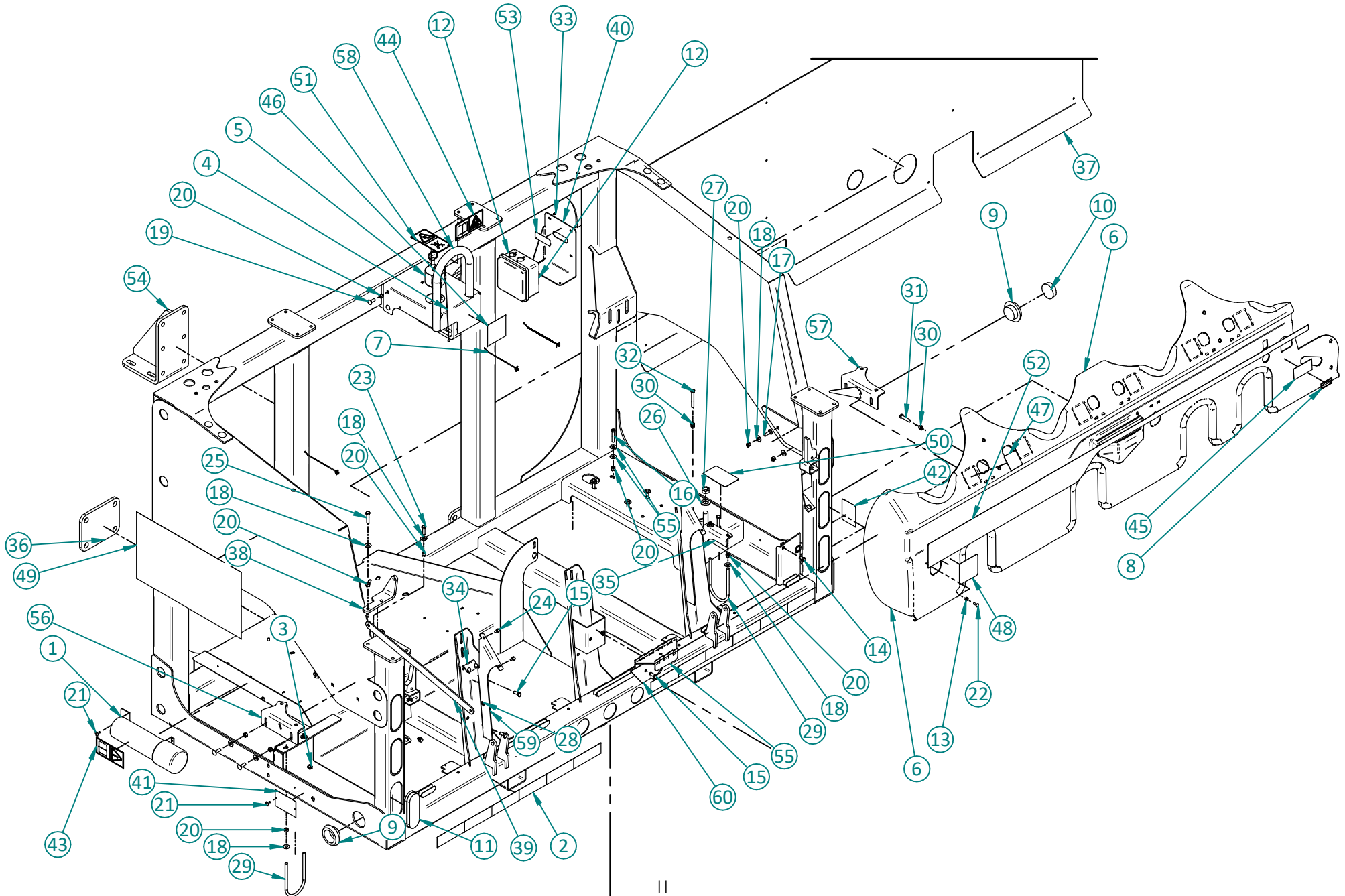


ITEM	PART NO.	DESCRIPTION	QTY
1	CMP400254	3/8" THREE WAY BRASS BALL VALVE	1
2	CMP400292	BR ADAPTER 3/8" MNPT X 3/8" HB	1
3	CMP400343	3/8 AIR REGULATOR	1
4	CMP400355	PANEL NUT	1
5	CMP400605	BR ADAPTER 3/8" MNPT X 1/2" FPTC	1
6	CMP400619	BR ELBOW 90 DEG 3/8" MNPT X 1/2"	2
7	CMP400751	1/4" WIRE ROPE CLAMP	8
8	CMP400752	1/4" ROPE THIMBLE	4
9	CMP400753	1/4 WIRE ROPE, 7 X 19	2
10	CMP401218	BR COUPLER 08 FNPT X 08 FNPT	1
11	CMP401219	PL ELBOW 90 DEG 3/8 MNPT X 3/8	1
12	CMP401220	BR ELBOW 90 DEG 3/8 MNPT X 3/8	1
13	FST100135	1/4" LOCK NUT	2
14	FST100150	3/8" FLAT WASHER	6
15	FST100151	1/2" FLAT WASHER HARDENED	4
16	FST100182	3/8" X 3" CAP SCREW	3
17	FST100194	1/2" X 3 1/2" CAP SCREW	2
18	FST100206	3/8" LOCKNUT	3
19	FST100233	1/4" X 3/4" CARRIAGE BOLT	2
20	FST100356	1/2" CRIMP NUT	2
21	FST100733	3/8" NYLON FLAT WASHER	1
22	HYD100852	ST TEE BRANCH 06 MNPT X 06 FNPT	1
23	SAF400071	DASH 4 STEP ANTI SLIP SHARP	2
24	SAF400080	DASH 2 STEP ANTI SLIP ROUND	1
25	WLD400280	END GATE WLDT	1
26	WLD400283	RAILING WLDT	1

4.6

REAR MOUNT DASH 4.6

KIT400178



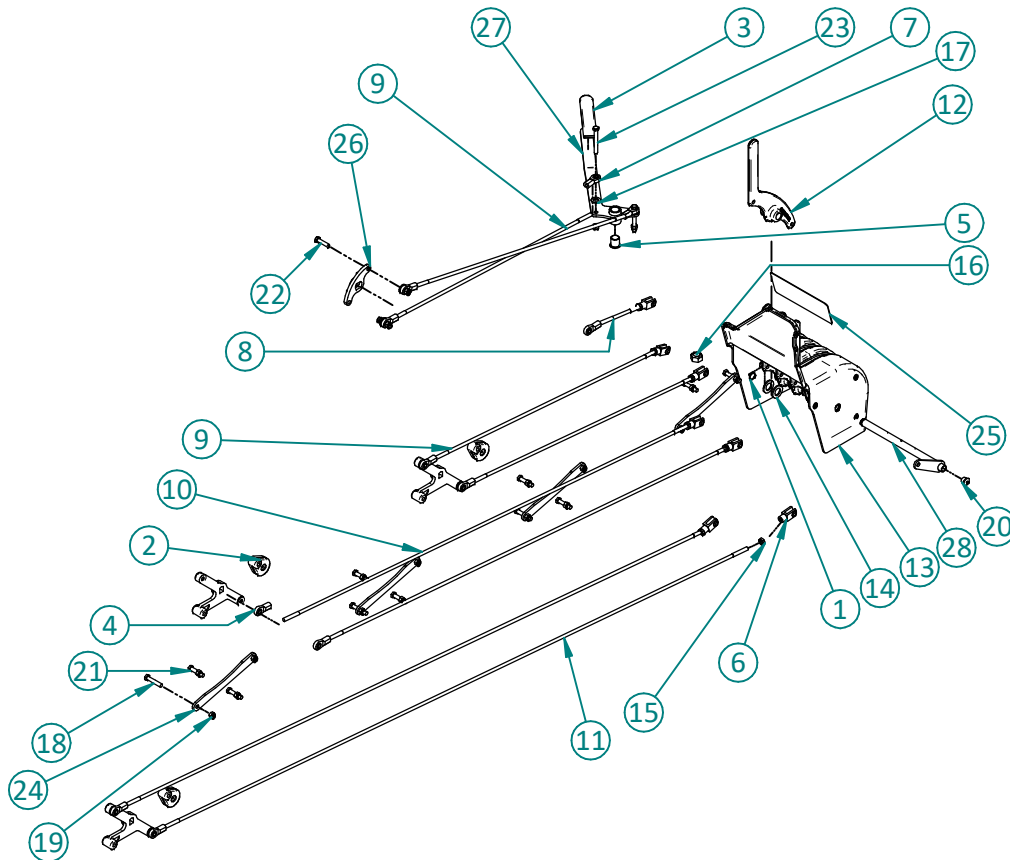
4.6

REAR MOUNT DASH 4.6

KIT400178

ITEM	PART NO.	DESCRIPTION	QTY	ITEM	PART NO.	DESCRIPTION	QTY
1	CMP100313	MANUAL CANISTER	1	35	PCT400755	MANIFOLD MOUNT BRKT	1
2	CMP100320	CONSPICUITY TAPE - RED/WHITE	2	36	PCT400779	MOUNTING PLATE	2
3	CMP400521	SS PLUG 1/4" MNPT	1	37	PCT400808	REAR ROCK GUARD	1
4	CMP400543	11" QDC LANYARD	1	38	PCT400883	LINKAGE MOUNT PLATE	1
5	CMP400569	PP CAP 2" FQDC	1	39	PCT400892	LINKAGE PLATE	1
6	CMP400843	VALVE COVER PANEL	1	40	PCT401829	FUSE BOX MOUNT PLATE	1
7	CMP401278	PUSH MOUNT CABLE TIE 8" 50LB	4	41	SAF100100	SERIAL NUMBER PLATE	1
8	CMP500066	DECAL GREASE	1	42	SAF100762	VERTICAL TRAINING QR DECAL	1
9	ELCI00332	LIGHT, OPEN GROMMET 2 1/2"- 3D2	2	43	SAF200104	READ SAFETY MANUAL	1
10	ELCI00797	LIGHT, ROUND RED 13 LED 2 1/2"-	1	44	SAF400037	CHEMICAL WARNING READ MANUAL	1
11	ELCI00827	LIGHT, LED OVAL RED LSTL72RB	6	45	SAF400041	MASTER AIR DECAL	1
12	ELCI00910	FUSE BOX	1	46	SAF400047	HOSE RINSE DECAL	1
13	FST100129	1/4" FLANGE NUT	4	47	SAF400052	AGITATE D DECAL	1
14	FST100140	3/8" X 3/4" CAP SCREW	3	48	SAF400056	RINSE SOURCE DECAL	1
15	FST100141	3/8" X 1" CAP SCREW	8	49	SAF400059	PHIBER 12.625" X 23" DECAL	2
16	FST100143	3/8" X 2" CAP SCREW	4	50	SAF400062	MASTER WATER DECAL	1
17	FST100146	3/8" x 1 1/4" CARRIAGE BOLT	3	51	SAF400087	DECAL, FALL HAZARD	1
18	FST100150	3/8" FLAT WASHER	30	52	SAF400097	DASH 4.6 DECAL	1
19	FST100199	3/8" x 1" CARRIAGE BOLT	5	53	SAF400143	LIGHT SWITCH DECAL	1
20	FST100206	3/8" LOCKNUT	26	54	WLD400093	DASH ATTACHMENT WLDT	2
21	FST100228	POP RIVET STEEL 3/16 X 1/2 X 5/8	4	55	WLD400235	REAR FRAME WLDT 4.2	1
22	FST100233	1/4" X 3/4" CARRIAGE BOLT	4	56	WLD400254	TANK MOUNT WLDT RH	1
23	FST100241	3/8" X 1 1/4" CAP SCREW	4	57	WLD400255	TANK MOUNT WLDT LH	1
24	FST100247	1/4" X 3/4" FLANGE BOLTS	3	58	WLD400279	HANDLE MOUNTING BLOCK	1
25	FST100281	3/8" X 1 3/4" BOLT	2	59	WLD400324	MANIFOLD COVER BRACKET WLDT	2
26	FST100404	3/4" WASHER HARDENED	1	60	WLD400325	STEP WELDMENT	1
27	FST100405	3/4" CRIMP NUT	1				
28	FST100733	3/8" NYLON FLAT WASHER	2				
29	FST100891	3/8" X 3 1/2" X 6 3/4" U-BOLT	2				
30	FST100909	3/8" SS LOCKNUT	3				
31	FST100928	3/8" X 1-3/4" SS CAP SCREW	1				
32	FST101017	3/8" X 3" CAP SCREW 316-SS	2				
33	FST101019	#6 X 1/2" PAN HEAD PHILLIPS	4				
34	PCT400034	VALVE MOUNT BRKT	1				

4.6 CENTER/REAR MOUNT DASH 4.6 KIT400145/KIT400178

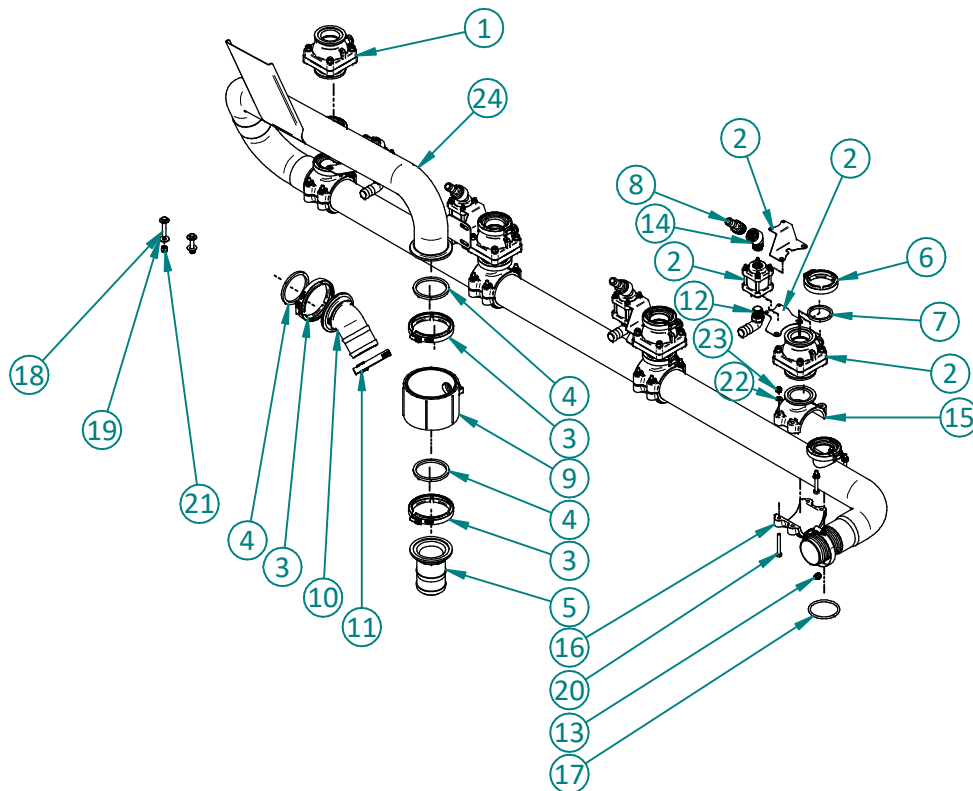


ITEM	PART NO.	DESCRIPTION	QTY
1	300338	SNAP RING EXTERNAL SS 0.75	1
2	ASM400114	D,A,S VALVE ASSEMBLY	3
3	CMP400040	HAND GRIP	1
4	CMP400132	3/8 LH ROD END	9
5	CMP400172	FLANGE BUSHING .750" X .875" X	1
6	CMP400173	3/8 CLEVIS W/ PIN AND CIRCLIP	7
7	CMP400473	3/8 RH ROD END	2
8	CMP400523	TANK H SHUT OFF LINK	1
9	CMP400524	TANK S SHUT OFF LINK	4
10	CMP400525	TANK A SHUT OFF LINK	2
11	CMP400526	TANK D SHUT OFF LINK	2
12	CMP400743	DASH LEVER ARM MOLDED	4
13	CMP400836	HANDLE BOX	1
14	FST100304	3/4" FLAT WASHER	2
15	FST100379	3/8" UNF JAM NUT	7
16	FST100405	3/4" CRIMP NUT	1
17	FST100732	1/2" NYLON FLAT WASHER	4
18	FST100900	3/8" X 2" STAINLESS STEEL CAP	4
19	FST100909	3/8" SS LOCKNUT	19
20	FST100915	GREASE ZERK 3/8" -18 PIPE(NPT)	1
21	FST100928	3/8" X 1-3/4" SS CAP SCREW	7
22	FST100935	3/8" X 1 1/2" CAP SCREW SS	2
23	FST101017	3/8" X 3" CAP SCREW 316-SS	2
24	PCT400920	CONNECTING LINK PLATE	4
25	SAF400061	LEVER DECAL	1
26	WLD400165	MAIN SHUT OFF LINK WELDT	1
27	WLD400171	MAIN SHUT OFF WELDT	1
28	WLD400326	LINKAGE PIN WELDT	1

4.6

CENTER/REAR MOUNT DASH 4.6

KIT400145/KIT400178

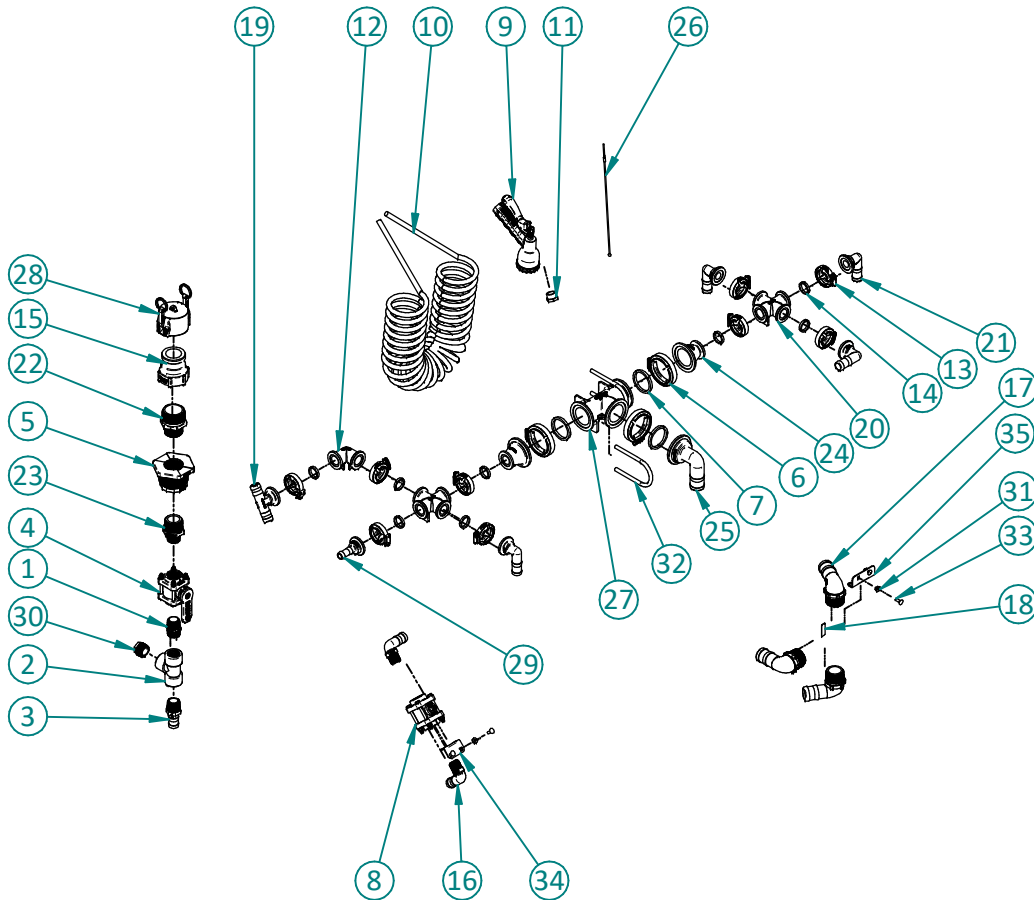


ITEM	PART NO.	DESCRIPTION	QTY
1	ASM400113	H VALVE ASSEMBLY	1
2	ASM400114	D,A,S VALVE ASSEMBLY	3
3	CMP400004	SS CLAMP 3" FLG	3
4	CMP400005	EPDM GASKET 3" FLG	3
5	CMP400008	PP ADAPTER 3" FLG X 3" HB	1
6	CMP400134	SS CLAMP 2" FP FLG	8
7	CMP400136	EPDM GASKET 2" FP FLG	8
8	CMP400143	PP ADAPTER 3/4" MNPT X 3/4" HB	4
9	CMP400154	PP VALVE BALL FULL PORT 3" FLG X	1
10	CMP400273	PP ELBOW 45 DEG 3" FLG X 3" HB	1
11	CMP400331	GEAR CLAMP HD 3.31"-4.00"	2
12	CMP400339	PP ELBOW 90 DEG 3/4" MNPT X 1" HB	4
13	CMP400521	SS PLUG 1/4" MNPT	1
14	CMP400567	PP ELBOW 45 DEG 3/4" FNPT X 3/4"	4
15	CMP400782	3.5" x 2" FP SADDLE CLAMP	4
16	CMP400783	3.5 SADDLE CLAMP BOTTOM	4
17	CMP400837	O-RING (2.88 X 3/16 C/S) 70 DURO	4
18	FST100143	3/8" X 2" CAP SCREW	2
19	FST100150	3/8" FLAT WASHER	4
20	FST100179	5/16" X 2 1/2" CAP SCREW	16
21	FST100206	3/8" LOCKNUT	2
22	FST100976	5/16" FLAT WASHER SS	16
23	FST100977	5/16" SS LOCK NUT	16
24	WLD400306	MANIFOLD WLDT	1

4.6

CENTER/REAR MOUNT DASH 4.6

KIT400145/KIT400178

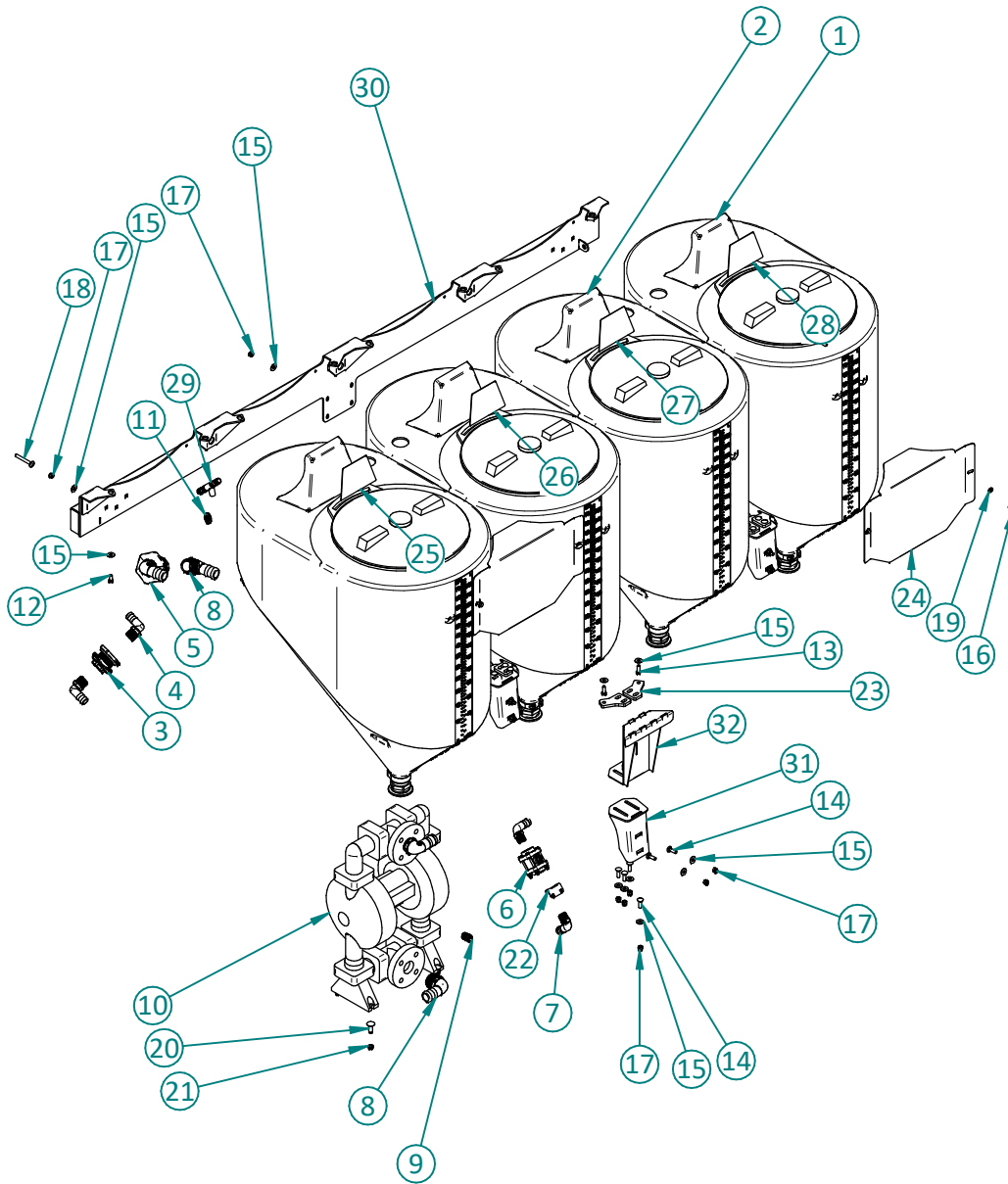


ITEM	PART NO.	DESCRIPTION	QTY
1	CMP400024	PP ADAPTER 1" MNPT X 1" MNPT	1
2	CMP400025	PP TEE 1" FNPT X 1" FNPT	1
3	CMP400028	PP ADAPTER 1" MNPT X 1" HB	1
4	CMP400029	PP VALVE BALL 1" FNPT X 1" FNPT	1
5	CMP400126	PP BULKHEAD 1 1/2" FNPT X 1 1/2"	1
6	CMP400134	SS CLAMP 2" FP FLG	3
7	CMP400136	EPDM GASKET 2" FP FLG	3
8	CMP400138	PP VALVE BALL 3/4" FNPT X 3/4"	1
9	CMP400162	HEAVY DUTY NOZZLE	1
10	CMP400170	3/8" X 25' RECOIL AIR HOSE	1
11	CMP400192	BR ADAPTER 3/8" GHT X 3/8" FNPT	1
12	CMP400211	PP ELBOW 90 DEG 1" FLG X 1" FLG	1
13	CMP400213	SS CLAMP 1" FLG	9
14	CMP400214	EPDM GASKET 1" FLG	9
15	CMP400304	PP ADAPTER 2" FNPT X 2" MQDC	1
16	CMP400339	PP ELBOW 90 DEG 3/4" MNPT X 1" HB	2
17	CMP400474	PP ELBOW 90 DEG 1 1/2" MNPT X 1	3
18	CMP400475	PP VALVE BALL 3 WAY SIDE I 1/2"	1
19	CMP400485	PP TEE BRANCH 1" HB X 1" FLG	1
20	CMP400486	PP CROSS 1" FLG X 1" FLG	2
21	CMP400487	PP ELBOW 90 DEG 1" FLG X 1" HB	4
22	CMP400489	PP ADAPTER 2" MNPT X 1 1/2" MNPT	1
23	CMP400490	PP ADAPTER 1 1/2" MNPT X 1" MNPT	1
24	CMP400539	PP ADAPTER 2" FP FLG X 1" FLG	2
25	CMP400540	PP ELBOW 90 DEG 2" FP FLG X 1 1/2"	1
26	CMP400543	11" QDC LANYARD	1
27	CMP400546	PP TEE 2" FP FLG X 2" FP FLG	1
28	CMP400569	PP CAP 2" FQDC	1
29	CMP400688	PP ADAPTER 1" FLG X 3/4" HB	1
30	CMP400693	BR ADAPTER 1" MNPT X 3/8" FNPT	1
31	FST100129	1/4" FLANGE NUT 316-SS	4
32	FST100899	3/8" X 2 1/2" X 5" U-BOLT	2
33	FST100924	1/4" X 3/4" CARRIAGE BOLT SS	4
34	PCT400034	VALVE MOUNT BRKT	1
35	PCT400579	VALVE MOUNT BRKT	1

4.6

CENTER/REAR MOUNT DASH 4.6

KIT400145/KIT400178

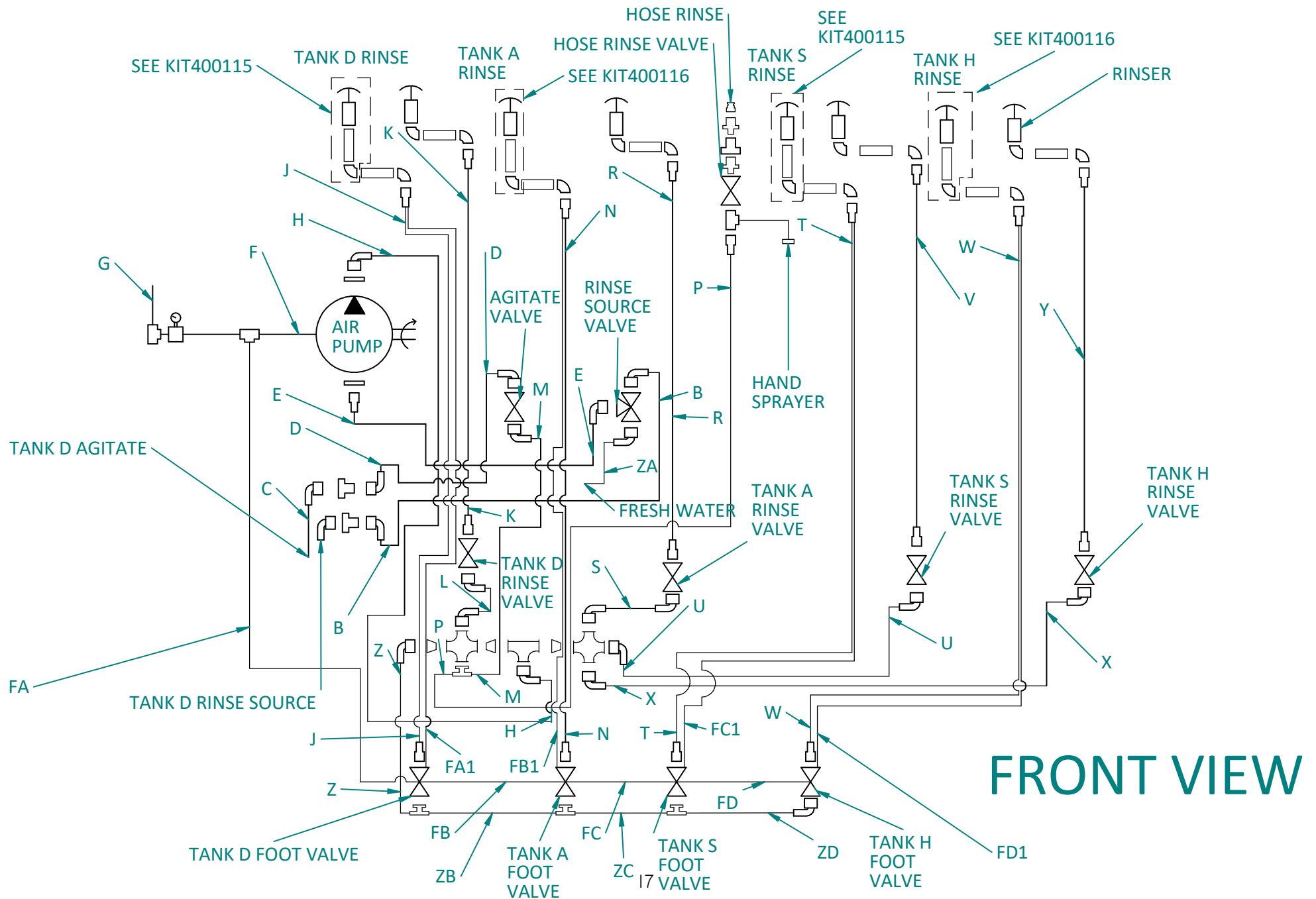


ITEM	PART NO.	DESCRIPTION	QTY
1	ASM400107	75 GAL TANK ASSY AH	2
2	ASM400108	75 GAL TANK ASSY DS	2
3	CMP400023	PP BULKHEAD 1" FNPT X 1" FNPT	1
4	CMP400037	PP ELBOW 90 DEG 1" MNPT X 1" HB	2
5	CMP400126	PP BULKHEAD 1 1/2" FNPT X 1 1/2"	1
6	CMP400138	PP VALVE BALL 3/4" FNPT X 3/4"	1
7	CMP400339	PP ELBOW 90 DEG 3/4" MNPT X 1" HB	2
8	CMP400474	PP ELBOW 90 DEG 1 1/2" MNPT X 1"	4
9	CMP400512	PL ADAPTER 1/2" MNPT X 1/2" FPTC	1
10	CMP400686	1 1/2" AIR DIAPHRAGM PUMP	1
11	CMP401106	PL ADAPTER .08" - .24" STRAIN	4
12	FST100140	3/8" X 3/4" CAP SCREW	8
13	FST100141	3/8" X 1" CAP SCREW	6
14	FST100146	3/8" x 1 1/4" CARRIAGE BOLT	18
15	FST100150	3/8" FLAT WASHER	42
16	FST100175	5/16" X 1/2" CAP SCREW 316-SS	4
17	FST100206	3/8" LOCKNUT	28
18	FST100896	3/8 X 3 CARRIAGE BOLT	6
19	FST100976	5/16" FLAT WASHER SS	4
20	FST101015	1/2" X 1 1/4" CARRIAGE BOLT 316-SS	4
21	FST101016	1/2" SERRATED FLANGE NUT 316-SS	4
22	PCT400034	VALVE MOUNT BRKT	1
23	PCT400632	TANK MOUNT PLATE	6
24	PCT400873	TANK COVER PLATE	2
25	SAF400048	INDUCTOR D DECAL	1
26	SAF400049	INDUCTOR A DECAL	1
27	SAF400050	INDUCTOR S DECAL	1
28	SAF400051	INDUCTOR H DECAL	1
29	WLD4000431	Y-FITTING FOR AIR INLET	4
30	WLD400186	REAR TANK MOUNT WLDT	1
31	WLD400206	FRONT TANK MOUNT WLDT	3
32	WLD400277	TOTE STEP	1

4.6

CENTER/REAR MOUNT DASH 4.6

KIT400145/KIT400178



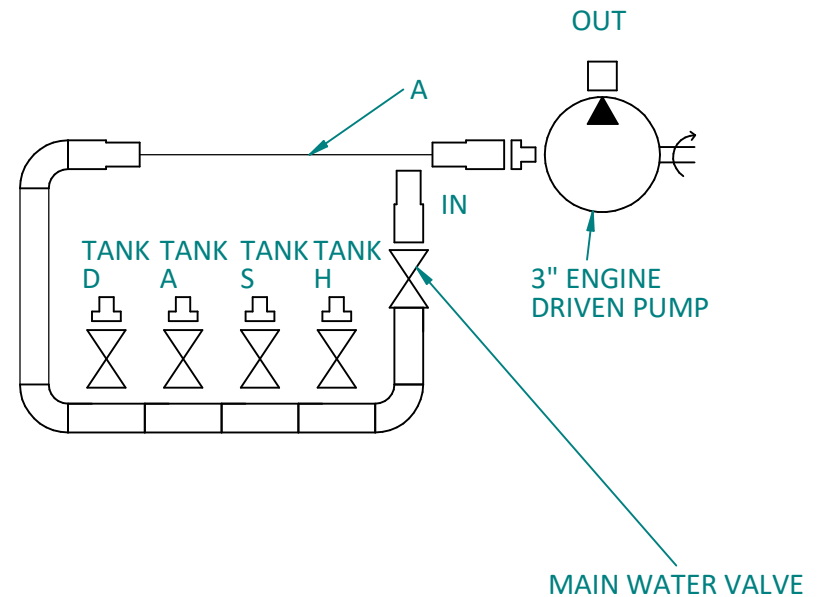
4.6

CENTER/REAR MOUNT DASH 4.6

KIT400145/KIT400178

ZD	CMP400104	3/4" INDUSTRIAL WATER HOSE	11.00
ZC	CMP400104	3/4" INDUSTRIAL WATER HOSE	23.00
ZB	CMP400104	3/4" INDUSTRIAL WATER HOSE	23.00
ZA	HYDI00971	HOSE EPDM SUCTION I 1/2" GREY	84.00
Z	CMP400104	3/4" INDUSTRIAL WATER HOSE	78.00
Y	CMP400104	3/4" INDUSTRIAL WATER HOSE	56.00
X	HYDI00800	1" INDUSTRIAL WATER HOSE	52.00
W	CMP400104	3/4" INDUSTRIAL WATER HOSE	65.00
V	CMP400104	3/4" INDUSTRIAL WATER HOSE	56.00
U	HYDI00800	1" INDUSTRIAL WATER HOSE	49.00
T	CMP400104	3/4" INDUSTRIAL WATER HOSE	66.00
S	HYDI00800	1" INDUSTRIAL WATER HOSE	46.00
R	CMP400104	3/4" INDUSTRIAL WATER HOSE	56.00
P	HYDI00800	1" INDUSTRIAL WATER HOSE	19.00
N	CMP400104	3/4" INDUSTRIAL WATER HOSE	66.00
M	HYDI00800	1" INDUSTRIAL WATER HOSE	54.00
L	HYDI00800	1" INDUSTRIAL WATER HOSE	46.00
K	CMP400104	3/4" INDUSTRIAL WATER HOSE	56.00
J	CMP400104	3/4" INDUSTRIAL WATER HOSE	67.00
H	CMP400105	1 1/2" INDUSTRIAL WATER HOSE	22.00
G	HYDI00806	3/8" INDUSTRIAL WATER HOSE	16.00
FDI	HYDI01017	3/16 AIR BRAKE HOSE	90.00
FD	HYDI00982	3/8 AIR BRAKE HOSE	11.00
FCI	HYDI01017	3/16 AIR BRAKE HOSE	90.00
FC	HYDI00982	3/8 AIR BRAKE HOSE	23.00
FBI	HYDI01017	3/16 AIR BRAKE HOSE	90.00
FB	HYDI00982	3/8 AIR BRAKE HOSE	23.00
FAI	HYDI01017	3/16 AIR BRAKE HOSE	90.00
FA	HYDI00982	3/8 AIR BRAKE HOSE	25.00
F	HYDI00978	1/2 AIR BRAKE HOSE	114.00
E	HYDI00971	HOSE EPDM SUCTION I 1/2" GREY	36.00
ITEM	PART NO.	DESCRIPTION	LENGTH (IN)
HOSE CUT LIST			

D	HYDI00800	1" INDUSTRIAL WATER HOSE	38.00
C	HYDI00800	1" INDUSTRIAL WATER HOSE	7.00
B	HYDI00971	HOSE EPDM SUCTION I 1/2" GREY	17.00
A	HYDI00972	HOSE EPDM SUCTION 3" GREY	62.50
ITEM	PART NO.	DESCRIPTION	LENGTH (IN)
HOSE CUT LIST			

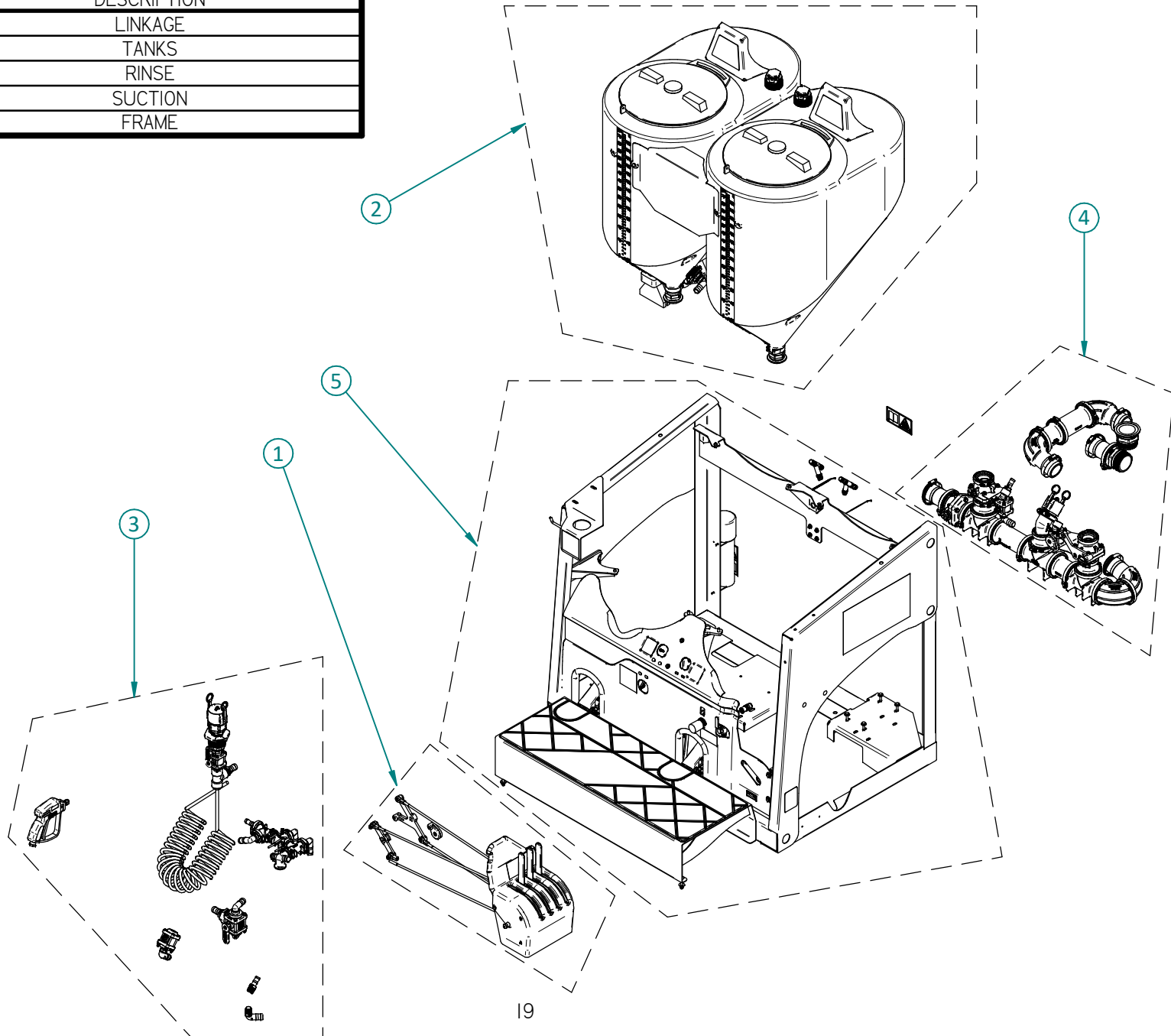


2.6

DASH 2.6

KIT400151

ITEM	DESCRIPTION
1	LINKAGE
2	TANKS
3	RINSE
4	SUCTION
5	FRAME

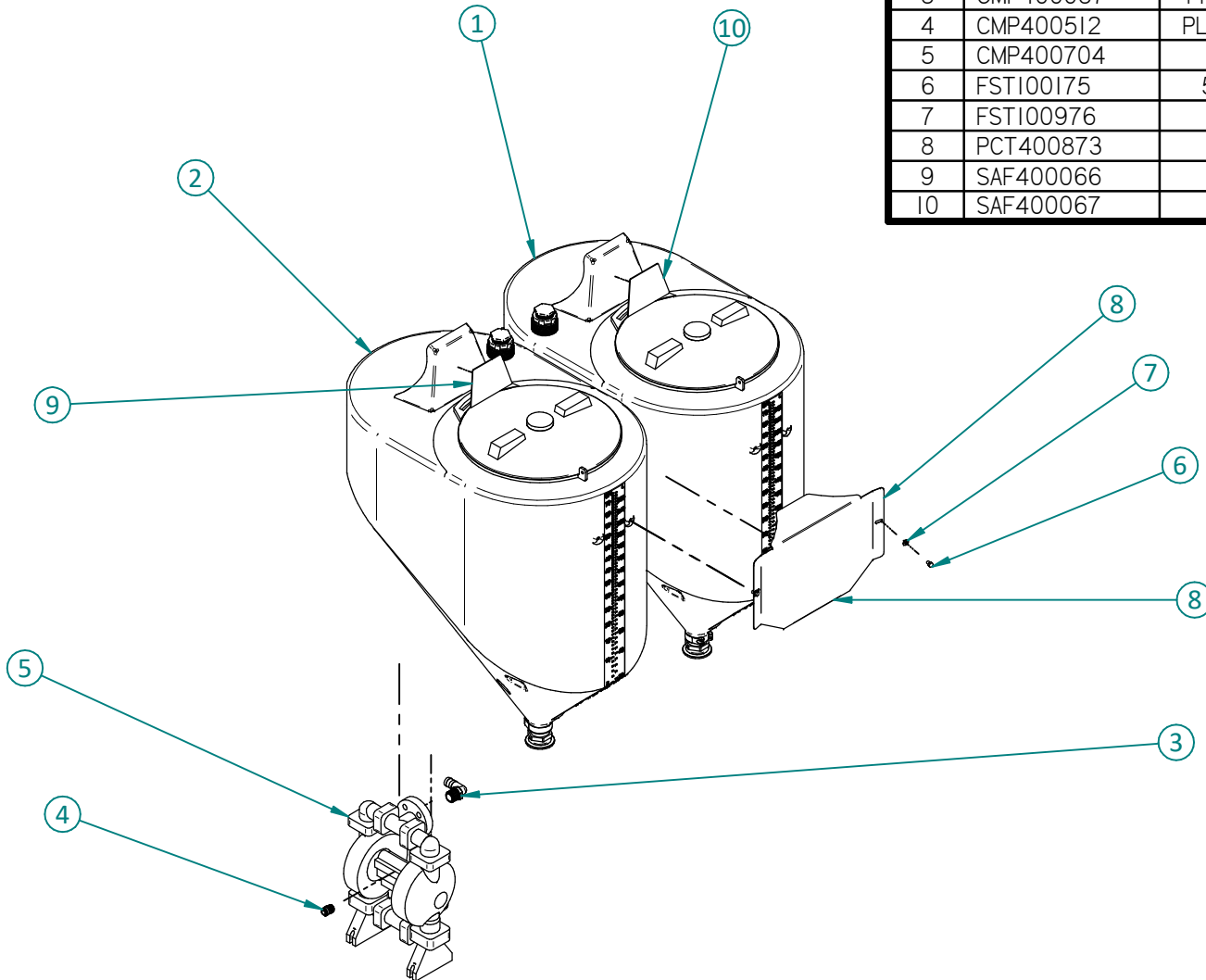


2.6

DASH 2.6

KIT400151

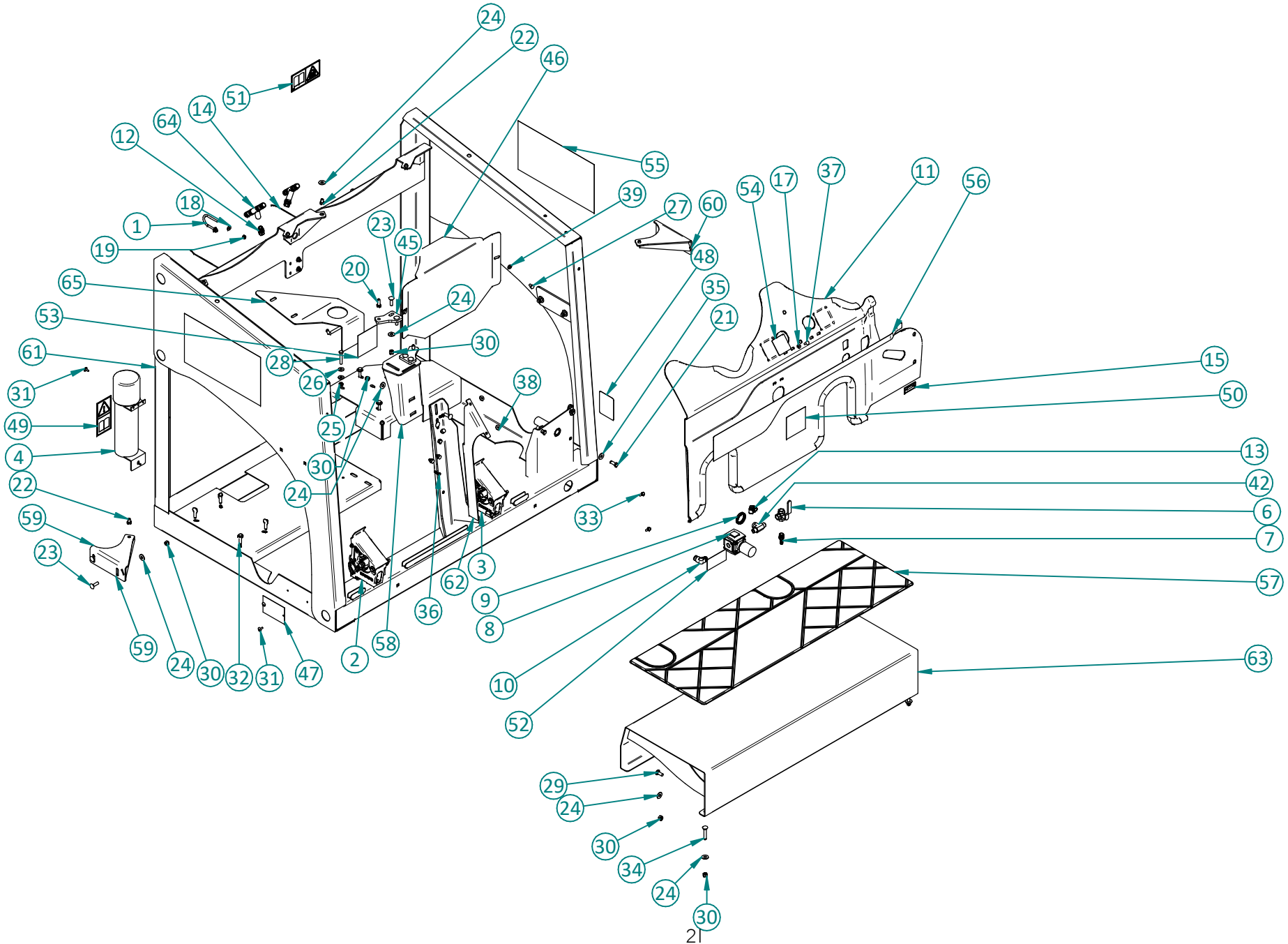
ITEM	PART NO.	DESCRIPTION	QTY
1	ASM400107	75 GAL TANK ASSY AH	1
2	ASM400108	75 GAL TANK ASSY DS	1
3	CMP400037	PP ELBOW 90 DEG 1" MNPT X 1" HB	2
4	CMP400512	PL ADAPTER 1/2" MNPT X 1/2" FPTC	1
5	CMP400704	1" AIR DIAPHRAGM PUMP	1
6	FST100175	5/16" X 1/2" CAP SCREW 316-SS	2
7	FST100976	5/16" FLAT WASHER SS	2
8	PCT400873	TANK COVER PLATE	1
9	SAF400066	INDUCTOR J DECAL	1
10	SAF400067	INDUCTOR R DECAL	1



2.6

DASH 2.6

KIT400151



2.6

DASH 2.6

KIT400151

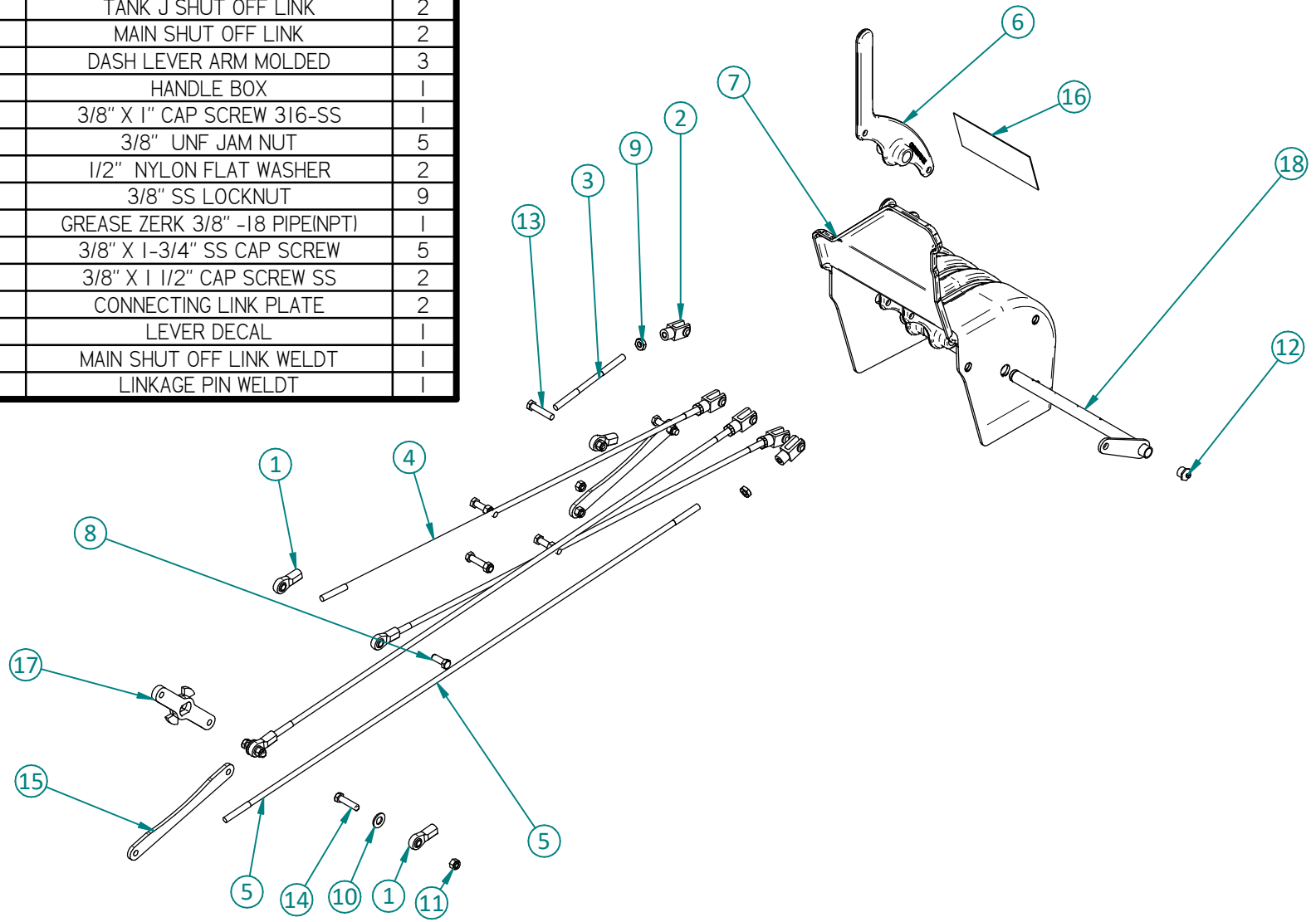
ITEM	PART NO.	DESCRIPTION	QTY	ITEM	PART NO.	DESCRIPTION	QTY
1	ASM400081	RINSE MANIFOLD	1	35	FST100910	3/8" SS FLAT WASHER	2
2	ASM400203	FOOT PEDAL W/ AIR VALVE	1	36	FST100919	#10-12 X 1" HEX HEAD SCREW SS	2
3	ASM400288	FOOT PEDAL W/ AIR VALVE	1	37	FST100924	1/4" X 3/4" CARRIAGE BOLT SS	4
4	CMP100313	MANUAL CANISTER	1	38	FST100925	1/4" FLAT WASHER SS	2
5*	CMP400104	3/4" INDUSTRIAL WATER HOSE	344 IN	39	FST100976	5/16" FLAT WASHER SS	2
6	CMP400254	3/8" THREE WAY BRASS BALL VALVE	1	40*	HYDI00800	1" INDUSTRIAL WATER HOSE	413 IN
7	CMP400292	BR ADAPTER 3/8" MNPT X 3/8" HB	1	41*	HYDI00806	INDUSTRIAL WATER 3/8"	16 IN
8	CMP400343	3/8 AIR REGULATOR	1	42	HYDI00852	ST TEE BRANCH 06 MNPT X 06 FNPT	1
9	CMP400355	PANEL NUT	1	43*	HYDI00972	HOSE EPDM SUCTION 3" GREY	40 IN
10	CMP400619	BR ELBOW 90 DEG 3/8" MNPT X 1/2"	1	44*	HYDI00978	1/2 AIR BRAKE HOSE	110 IN
11	CMP400934	VALVE COVER PANEL	1	45	PCT400632	TANK MOUNT PLATE	2
12	CMP401106	PL ADAPTER .08" - .24" STRAIN	2	46	PCT400873	TANK COVER PLATE	1
13	CMP401219	PL ELBOW 90 DEG 3/8 MNPT X 3/8	1	47	SAFI00100	SERIAL NUMBER PLATE	1
14	CMP401278	PUSH MOUNT CABLE TIE 8" 50LB	2	48	SAFI00762	VERTICAL TRAINING QR DECAL	1
15	CMP500066	DECAL GREASE	1	49	SAF200104	READ SAFETY MANUAL	1
16*	ELC100710	1" WIRE LOOM (SPLIT)	60 IN	50	SAF400036	RINSE SOURCE DECAL	1
17	FST100129	1/4" FLANGE NUT 316-SS	4	51	SAF400037	CHEMICAL WARNING READ MANUAL	1
18	FST100134	1/4" FLAT WASHER	4	52	SAF400041	MASTER AIR DECAL	1
19	FST100135	1/4" LOCK NUT	4	53	SAF400047	HOSE RINSE DECAL	1
20	FST100141	3/8" X 1" CAP SCREW	4	54	SAF400052	AGITATE D DECAL	1
21	FST100141	3/8" X 1" CAP SCREW 316-SS	3	55	SAF400096	PHIBER LOGO DASH 2.4 (8-7/8" X	2
22	FST100142	3/8" X 3/4" CAP SCREW	6	56	SAF400101	DASH 2.6 JR DECAL	1
23	FST100146	3/8" X 1 1/4" CARRIAGE BOLT	10	57	SAF400136	DASH 2 STEP DECAL	1
24	FST100150	3/8" FLAT WASHER	18	58	WLD400224	FRONT TANK MOUNT WLDT	1
25	FST100173	5/16" LOCK NUT	4	59	WLD400291	TANK MOUNT WLDT LH	1
26	FST100174	5/16" FLAT WASHER	12	60	WLD400292	TANK MOUNT WLDT RH	1
27	FST100175	5/16" X 1/2" CAP SCREW 316-SS	2	61	WLD400340	FRAME WLDT 2.2	1
28	FST100178	5/16" x 2" CAP SCREW	4	62	WLD400341	MANIFOLD COVER BRACKET WLDT	1
29	FST100199	3/8" x 1" CARRIAGE BOLT	2	63	WLD400342	WORK STEP WELDT DASH 2X GEN 2	1
30	FST100206	3/8" LOCKNUT	18	64	WLD400431	Y-FITTING FOR AIR INLET	2
31	FST100228	POP RIVET STEEL 3/16 X 1/2 X 5/8	4	65	WLD400433	RINSER MOUNTING BRKT W/H NOZZLE	1
32	FST100241	3/8" X 1 1/4" CAP SCREW	4				
33	FST100247	1/4" X 3/4" FLANGE BOLTS 316-SS	2				
34	FST100403	3/8" X 2" CARRIAGE BOLT	2				

2.6

DASH 2.6

KIT400151

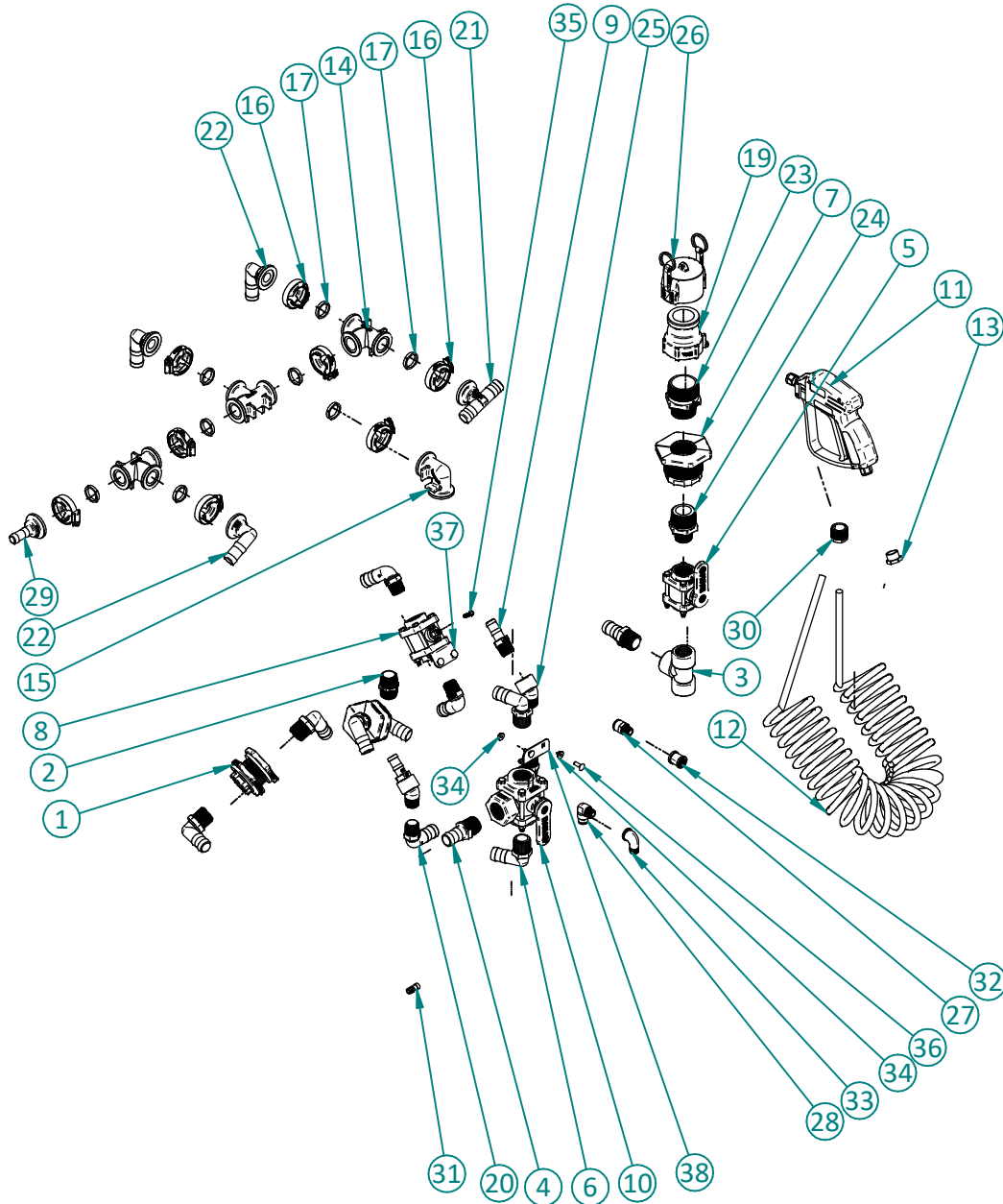
ITEM	PART NO.	DESCRIPTION	QTY
1	CMP400132	3/8 LH ROD END	5
2	CMP400173	3/8 CLEVIS W/ PIN AND CIRCLIP	5
3	CMP400523	TANK H SHUT OFF LINK	1
4	CMP400588	TANK J SHUT OFF LINK	2
5	CMP400589	MAIN SHUT OFF LINK	2
6	CMP400743	DASH LEVER ARM MOLDED	3
7	CMP400836	HANDLE BOX	1
8	FST100141	3/8" X 1" CAP SCREW 316-SS	1
9	FST100379	3/8" UNF JAM NUT	5
10	FST100732	1/2" NYLON FLAT WASHER	2
11	FST100909	3/8" SS LOCKNUT	9
12	FST100915	GREASE ZERK 3/8" -18 PIPE(INPT)	1
13	FST100928	3/8" X 1-3/4" SS CAP SCREW	5
14	FST100935	3/8" X 1 1/2" CAP SCREW SS	2
15	PCT400920	CONNECTING LINK PLATE	2
16	SAF400065	LEVER DECAL	1
17	WLD400073	MAIN SHUT OFF LINK WELDT	1
18	WLD400326	LINKAGE PIN WELDT	1



2.6

DASH 2.6

KIT400151

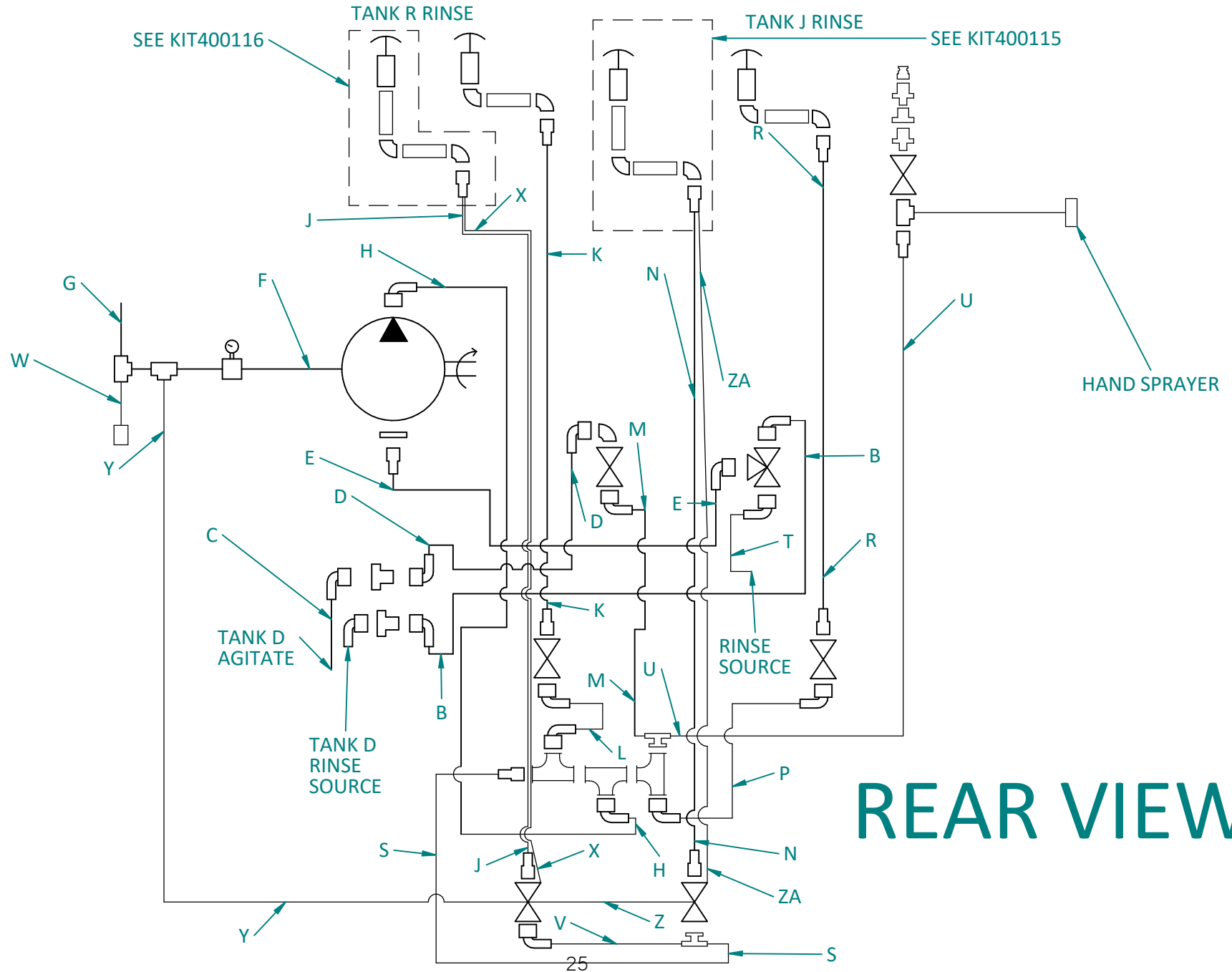


ITEM	PART NO.	DESCRIPTION	QTY
1	CMP400023	PP BULKHEAD 1" FNPT X 1" FNPT	2
2	CMP400024	PP ADAPTER 1" MNPT X 1" MNPT	1
3	CMP400025	PP TEE 1" FNPT X 1" FNPT	1
4	CMP400028	PP ADAPTER 1" MNPT X 1" HB	2
5	CMP400029	PP VALVE BALL 1" FNPT X 1" FNPT	1
6	CMP400037	PP ELBOW 90 DEG 1" MNPT X 1" HB	6
7	CMP400126	PP BULKHEAD 1 1/2" FNPT X 1 1/2"	1
8	CMP400138	PP VALVE BALL 3/4" FNPT X 3/4"	1
9	CMP400143	PP ADAPTER 3/4" MNPT X 3/4" HB	2
10	CMP400157	PP VALVE BALL 3 WAY SIDE 1" FNPT	1
11	CMP400162	HEAVY DUTY TRIGGER GUN	1
12	CMP400170	3/8" X 25' RECOIL AIR HOSE	1
13	CMP400192	BR ADAPTER 3/8" GHT X 3/8" FNPT	1
14	CMP400205	PP TEE 1" FLG X 1" FLG	3
15	CMP400211	PP ELBOW 90 DEG 1" FLG X 1" FLG	1
16	CMP400213	SS CLAMP 1" FLG	8
17	CMP400214	EPDM GASKET 1" FLG	8
18*	CMP400224	-12 GEAR CLAMP	5
19	CMP400304	PP ADAPTER 2" FNPT X 2" MQDC	1
20	CMP400339	PP ELBOW 90 DEG 3/4" MNPT X 1" HB	4
21	CMP400485	PP TEE BRANCH 1" HB X 1" FLG	1
22	CMP400487	PP ELBOW 90 DEG 1" FLG X 1" HB	3
23	CMP400489	PP ADAPTER 2" MNPT X 1 1/2" MNPT	1
24	CMP400490	PP ADAPTER 1 1/2" MNPT X 1" MNPT	1
25	CMP400567	PP ELBOW 45 DEG 3/4" FNPT X 3/4"	2
26	CMP400569	PP CAP 2" FQDC	1
27	CMP400605	BR ADAPTER 3/8" MNPT X 1/2" FPTC	1
28	CMP400619	BR ELBOW 90 DEG 3/8" MNPT X 1/2"	1
29	CMP400688	PP ADAPTER 1" FLG X 3/4" HB	1
30	CMP400693	BR ADAPTER 1" MNPT X 3/8" FNPT	1
31	CMP400746	1/2" SPEEDFIT PLUG	1
32	CMP401218	BR COUPLER 08 FNPT X 08 FNPT	1
33	CMP401220	BR ELBOW 90 DEG 3/8 MNPT X 3/8	1
34	FST100129	1/4" FLANGE NUT 316-SS	4
35	FST100919	#10-12 X 1" HEX HEAD SCREW SS	1
36	FST100924	1/4" X 3/4" CARRIAGE BOLT SS	4
37	PCT400034	VALVE MOUNT BRKT	1
38	PCT400051	VALVE MOUNT BRKT	1

2.6

DASH 2.6

KIT400151

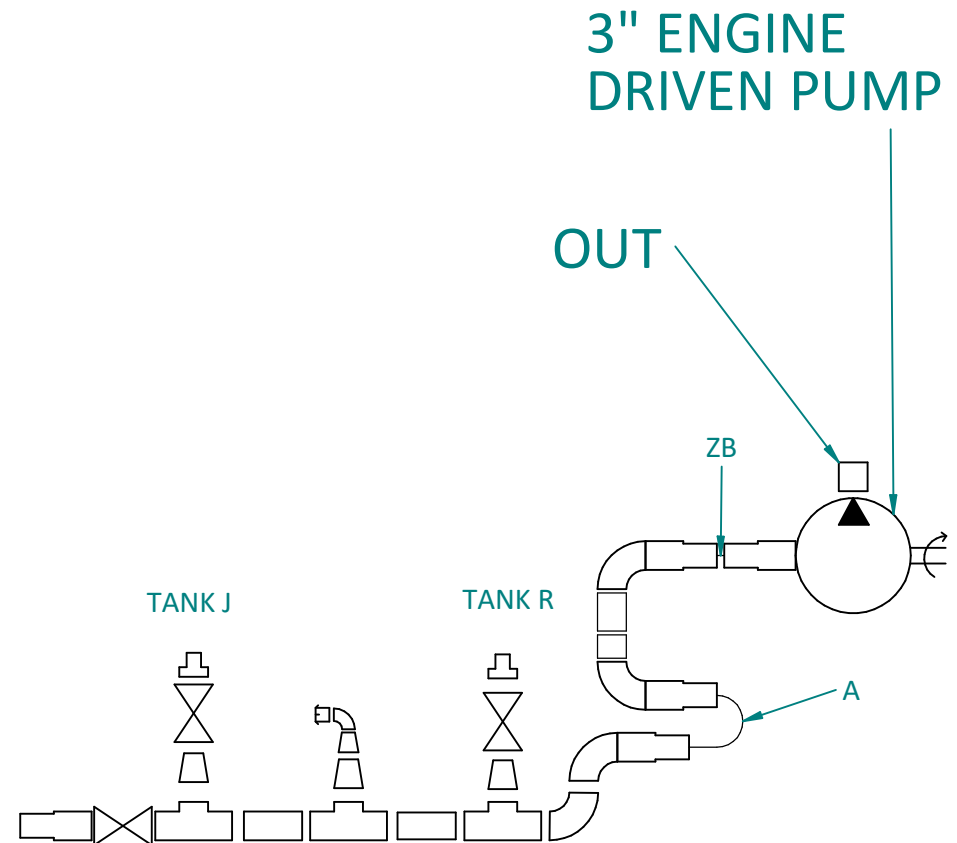


2.6

DASH 2.6

KIT400151

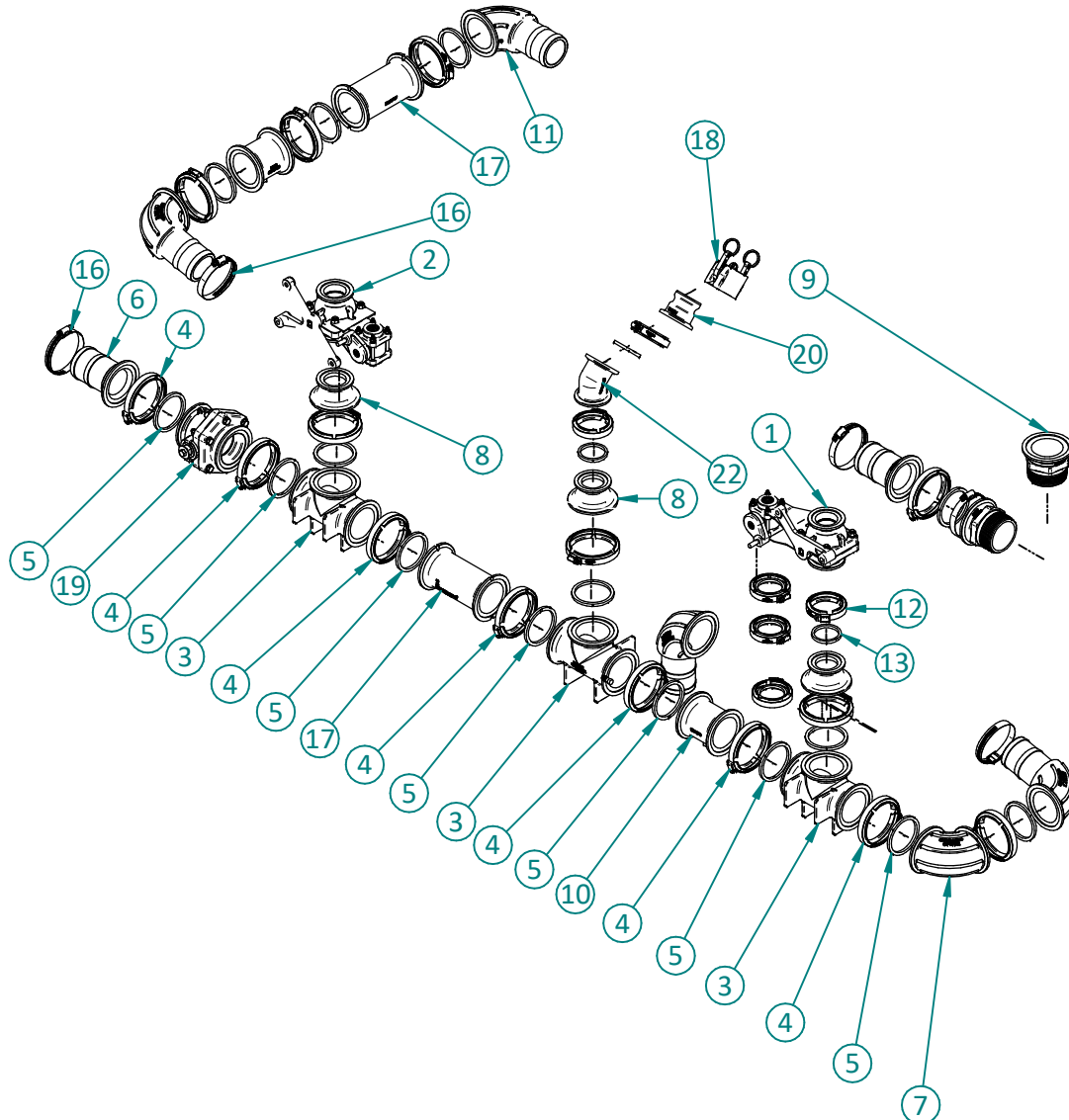
ZB	HYDI00972	HOSE EPDM SUCTION 3" GREY	9.00
ZA	HYDI01018	3/16" AIR BRAKE HOSE	115.00
Z	HYDI00982	3/8 AIR BRAKE HOSE	12.00
Y	HYDI00982	3/8 AIR BRAKE HOSE	24.50
X	HYDI01018	3/16" AIR BRAKE HOSE	106.00
W	HYDI00978	1/2 AIR BRAKE HOSE	40.00
V	CMP400104	3/4" INDUSTRIAL WATER HOSE	24.00
U	HYDI00800	1" INDUSTRIAL WATER HOSE	50.00
T	HYDI00800	1" INDUSTRIAL WATER HOSE	84.00
S	CMP400104	3/4" INDUSTRIAL WATER HOSE	70.00
R	CMP400104	3/4" INDUSTRIAL WATER HOSE	50.00
P	HYDI00800	1" INDUSTRIAL WATER HOSE	57.00
N	CMP400104	3/4" INDUSTRIAL WATER HOSE	64.00
M	HYDI00800	1" INDUSTRIAL WATER HOSE	47.00
L	HYDI00800	1" INDUSTRIAL WATER HOSE	42.00
K	CMP400104	3/4" INDUSTRIAL WATER HOSE	54.00
J	CMP400104	3/4" INDUSTRIAL WATER HOSE	82.00
H	HYDI00800	1" INDUSTRIAL WATER HOSE	36.00
G	HYDI00806	3/8" INDUSTRIAL WATER HOSE	16.00
F	HYDI00978	1/2 AIR BRAKE HOSE	70.00
E	HYDI00800	1" INDUSTRIAL WATER HOSE	40.00
D	HYDI00800	1" INDUSTRIAL WATER HOSE	37.00
C	HYDI00800	1" INDUSTRIAL WATER HOSE	7.00
B	HYDI00800	1" INDUSTRIAL WATER HOSE	13.00
A	HYDI00972	HOSE EPDM SUCTION 3" GREY	31.00
ITEM	PART NO.	DESCRIPTION	LENGTH (IN)
HOSE CUT LIST			



2.6

DASH 2.6

KIT400151



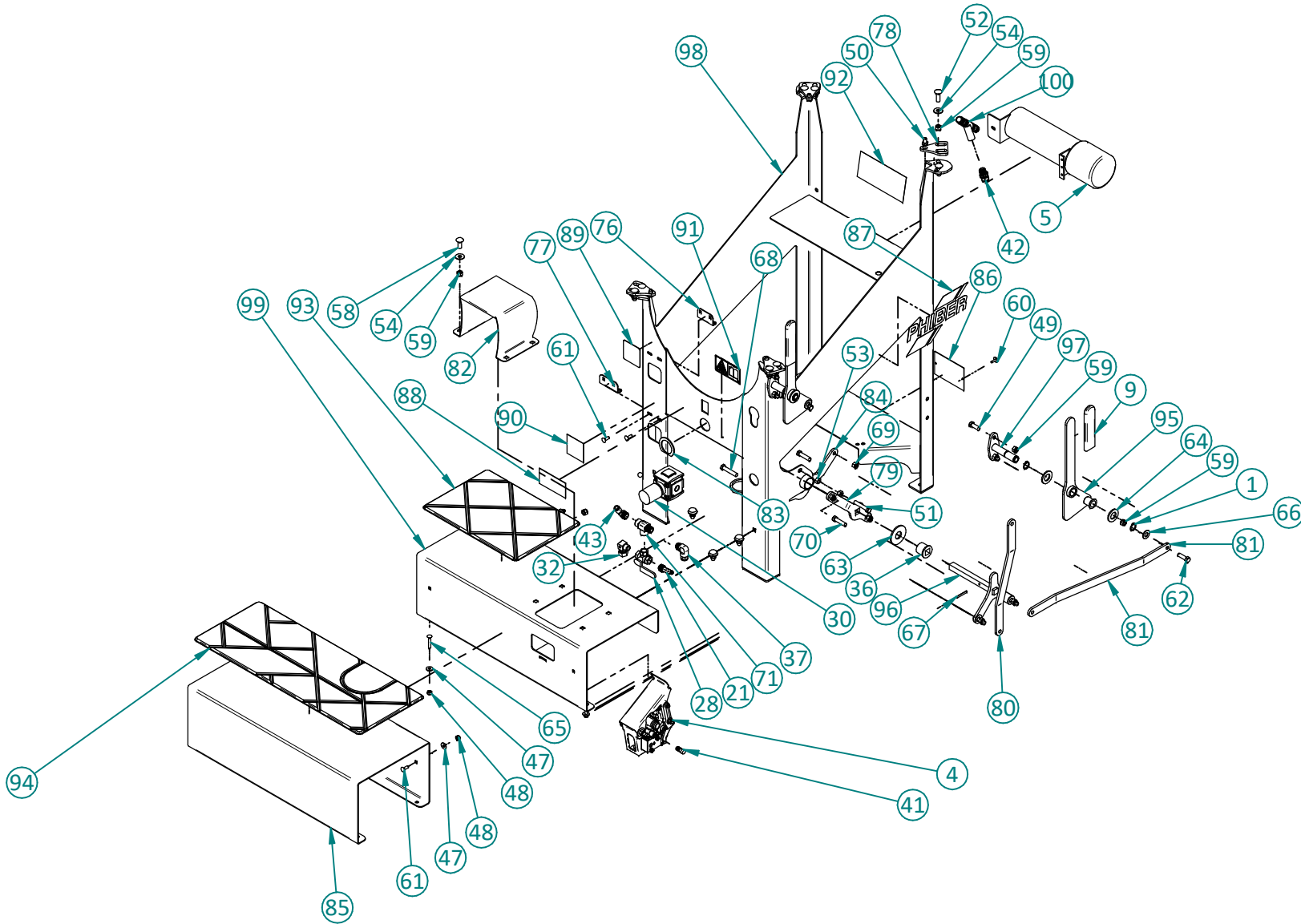
ITEM	PART NO.	DESCRIPTION	QTY
1	ASM400113	H VALVE ASSEMBLY	1
2	ASM400114	D,A,S VALVE ASSEMBLY	1
3	CMP400003	PP TEE 3" FLG X 3" FLG	3
4	CMP400004	SS CLAMP 3" FLG	15
5	CMP400005	EPDM GASKET 3" FLG	15
6	CMP400008	PP ADAPTER 3" FLG X 3" HB	2
7	CMP400009	PP SWEEP 3" FLG X 3" FLG	1
8	CMP400017	PP ADAPTER 3" FLG X 2" FP FLG	3
9	CMP400032	PP ADAPTER 3" FLG X 3" MNPT	2
10	CMP400093	PP ADAPTER 3" FLG X 3" FLG	2
11	CMP400094	PP SWEEP 3" FLG X 3" HB	4
12	CMP400134	SS CLAMP 2" FP FLG	6
13	CMP400136	EPDM GASKET 2" FP FLG	6
14*	CMP400224	-12 GEAR CLAMP	5
15*	CMP400225	-16 GEAR CLAMP	10
16	CMP400331	GEAR CLAMP HD 3.31"-4.00"	5
17	CMP400389	PP ADAPTER 7" LONG 3" FLG X 3" FLG	2
18	CMP400569	PP CAP 2" FQDC	1
19	CMP400571	3" FLANGE STUBBY VALVE FULL PORT	1
20	CMP400577	PP ADAPTER 2" FP FLG X 2" MQDC	1
21*	CMP401412	PL PLUG 3/8" MPTC	1
22	CMP401413	PP ELBOW 45 DEG 2"FP FLG X 2"FP FLG	1

This page is intentionally left blank

1.6

DASH 1.6 PRIMARY

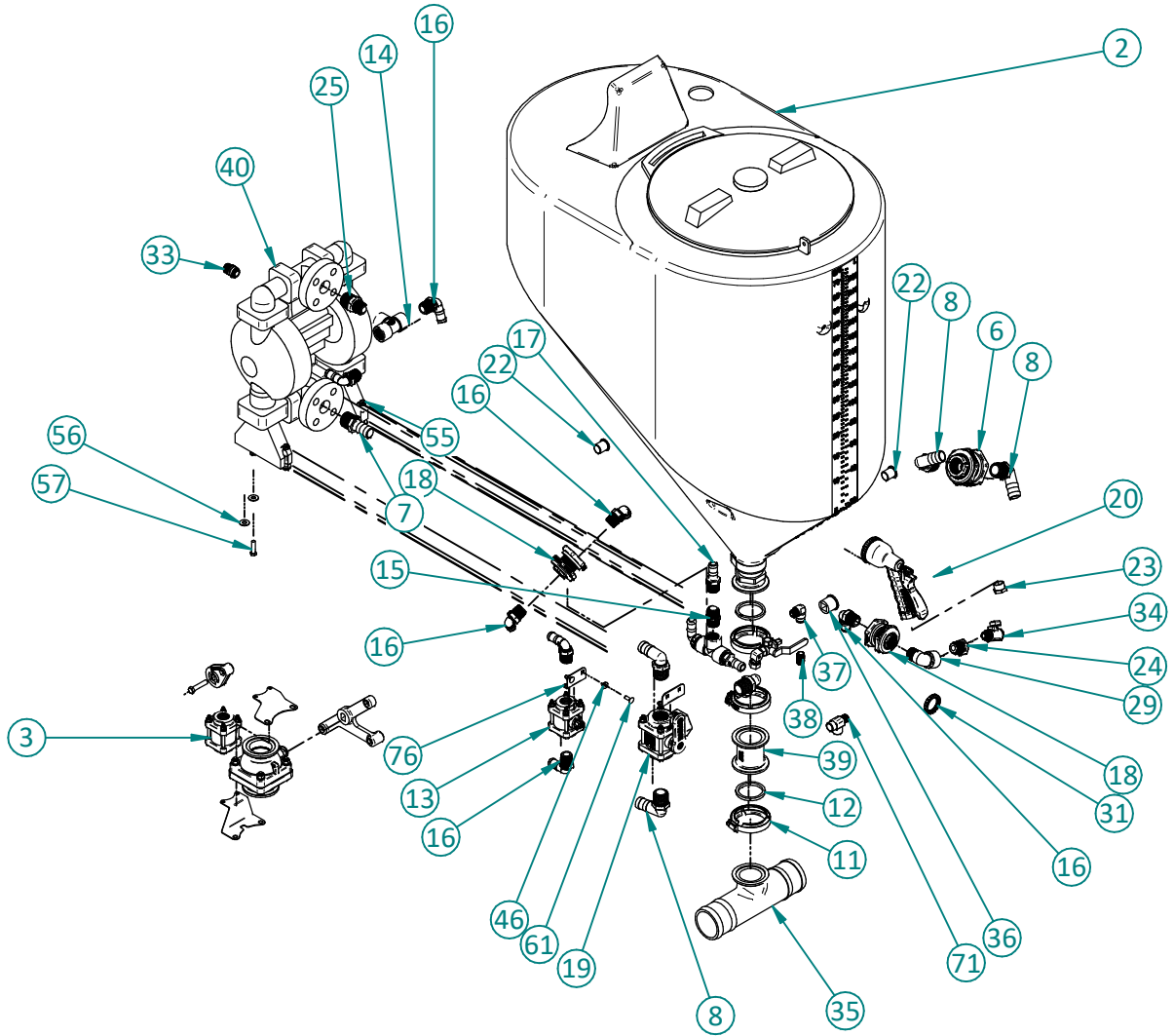
KIT400153



1.6

DASH 1.6 PRIMARY

KIT400153



1.6**DASH 1.6 PRIMARY****KIT400153**

ITEM	PART NO.	DESCRIPTION	QTY	ITEM	PART NO.	DESCRIPTION	QTY
1	300338	SNAP RING EXTERNAL SS 0.75	4	35	CMP400565	PP TEE 2" FP FLG X 3" HB	1
2	ASM400108	75 GAL TANK ASSY DS	1	36	CMP400596	BUSHING	1
3	ASM400114	D,A,S VALVE ASSEMBLY	1	37	CMP400619	BR ELBOW 90 DEG 3/8" MNPT X 1/2"	1
4	ASM400203	FOOT PEDAL W/ AIR VALVE	1	38	CMP400667	BR ADAPTER 3/8" MNPT X 3/8" MNPT	1
5	CMP100313	MANUAL CANISTER	1	39	CMP400692	PP ADAPTER 2" FP FLG X 2" FP FLG	1
6	CMP400023	PP BULKHEAD 1" FNPT X 1" FNPT	1	40	CMP400704	1" AIR DIAPHRAGM PUMP	1
7	CMP400028	PP ADAPTER 1" MNPT X 1" HB	1	41	CMP400746	1/2" SPEEDFIT PLUG	1
8	CMP400037	PP ELBOW 90 DEG 1" MNPT X 1" HB	5	42	CMP401106	PL ADAPTER .08" - .24" STRAIN	1
9	CMP400040	HAND GRIP	2	43	CMP401219	PL ELBOW 90 DEG 3/8 MNPT X 3/8	1
10*	CMP400104	3/4" INDUSTRIAL WATER HOSE	216 IN	44*	DOC400099	DASH X.6 SERIES OPERATOR'S	1
11	CMP400134	SS CLAMP 2" FP FLG	3	45*	DOC400103	DASH 1.6 PRIMARY QUICK START	1
12	CMP400136	EPDM GASKET 2" FP FLG	3	46	FST100129	1/4" FLANGE NUT	4
13	CMP400138	PP VALVE BALL 3/4" FNPT X 3/4"	1	47	FST100134	1/4" FLAT WASHER	4
14	CMP400139	PP TEE 3/4" FNPT X 3/4" FNPT	2	48	FST100135	1/4" LOCK NUT	4
15	CMP400140	PP ADAPTER 3/4" MNPT X 3/4" MNPT	1	49	FST100141	3/8" X 1" CAP SCREW	4
16	CMP400141	PP ELBOW 90 DEG 3/4" MNPT X 3/4"	8	50	FST100142	3/8" X 3/4" CAP SCREW	4
17	CMP400143	PP ADAPTER 3/4" MNPT X 3/4" HB	2	51	FST100143	3/8" X 2" CAP SCREW	1
18	CMP400145	PP BULKHEAD 3/4" FNPT X 3/4"	2	52	FST100146	3/8" x 1 1/4" CARRIAGE BOLT	8
19	CMP400157	PP VALVE BALL 3 WAY SIDE 1" FNPT	1	53	FST100148	3/8" NUT	2
20	CMP400162	HEAVY DUTY TRIGGER GUARD	1	54	FST100150	3/8" FLAT WASHER	14
21	CMP400166	BR ELBOW 90 DEG 3/8" MNPT X 3/8"	1	55	FST100173	5/16" LOCK NUT	4
22	CMP400172	FLANGE BUSHING .750" X .875" X	2	56	FST100174	5/16" FLAT WASHER	8
23	CMP400192	BR ADAPTER 3/8" GHT X 3/8" FNPT	1	57	FST100177	5/16" X 1 1/4" CAP SCREW	4
24	CMP400193	PP ADAPTER 3/4" MNPT X 3/8" FNPT	1	58	FST100199	3/8" x 1" CARRIAGE BOLT	6
25	CMP400222	PP ADAPTER 1" MNPT X 3/4" MNPT	1	59	FST100206	3/8" LOCKNUT	22
26*	CMP400224	-12 GEAR CLAMP	14	60	FST100228	POP RIVET STEEL 3/16 X 1/2 X 5/8	4
27*	CMP400225	-16 GEAR CLAMP	4	61	FST100233	1/4" X 3/4" CARRIAGE BOLT	6
28	CMP400254	3/8" THREE WAY BRASS BALL VALVE	1	62	FST100241	3/8" X 1 1/4" CAP SCREW	4
29	CMP400287	PP ELBOW 90 DEG 3/4" MNPT X 3/4"	1	63	FST100257	7/8" FLAT WASHER	1
30	CMP400343	3/8 AIR REGULATOR	1	64	FST100404	3/4" WASHER HARDENED	4
31	CMP400355	PANEL NUT	1	65	FST100448	1/4" X 1 1/2" CARRIAGE BOLT	2
32	CMP400511	BR ELBOW 90 DEG 3/8" MNPT X 1/2"	1	66	FST100732	1/2" NYLON FLAT WASHER	4
33	CMP400512	PL ADAPTER 1/2" MNPT X 1/2" FPTC	1	67	FST100872	3/16 X 1 1/2" ROLL PIN	1
34	CMP400551	PP VALVE MICRO 3/8" MNPT X 3/8"	1	68	FST100900	3/8" X 2" STAINLESS STEEL CAP	1

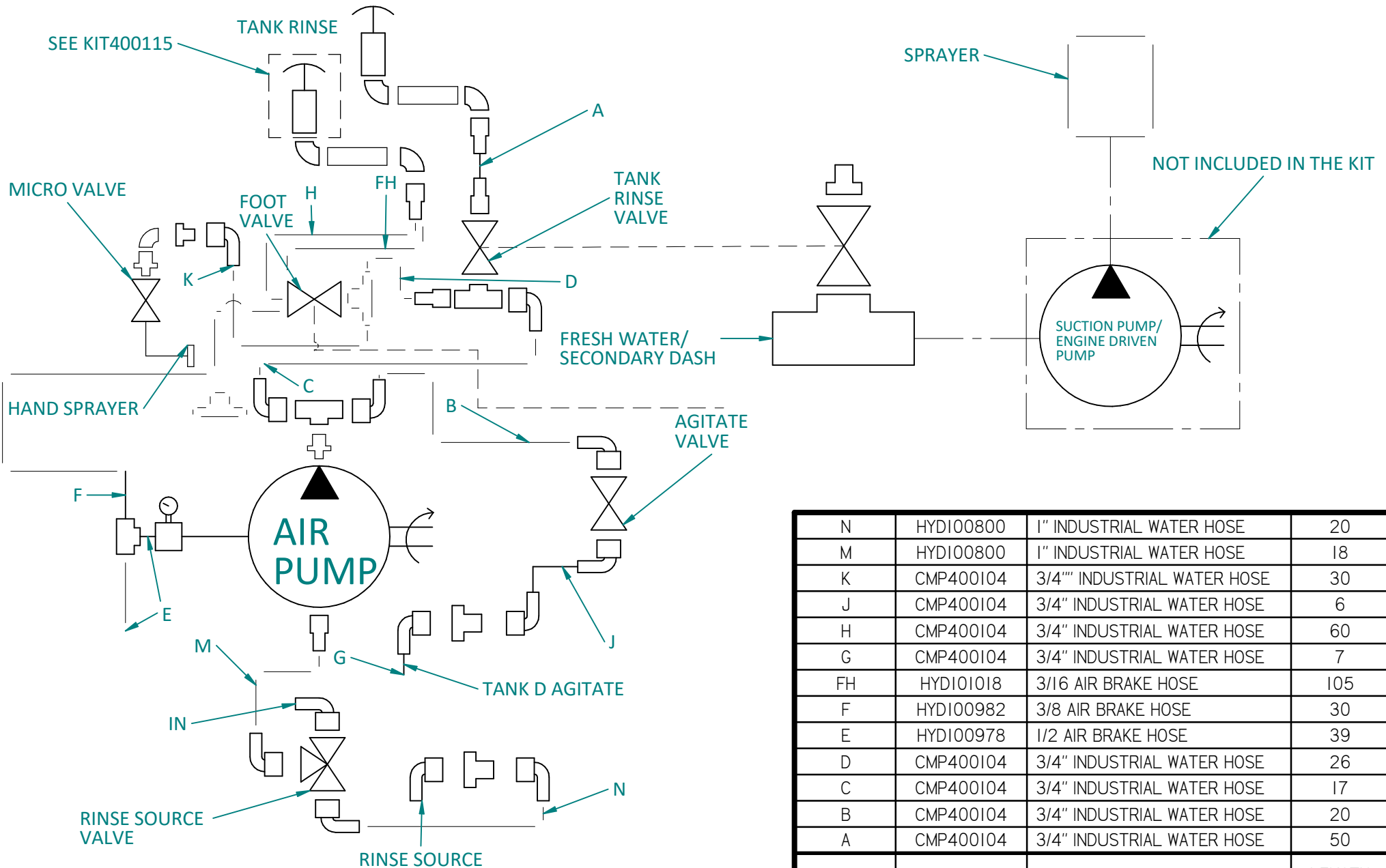
1.6**DASH 1.6 PRIMARY****KIT400153**

ITEM	PART NO.	DESCRIPTION	QTY
69	FSTI00909	3/8" SS LOCKNUT	4
70	FSTI00935	3/8" X 1 1/2" CAP SCREW SS	2
71	HYD-100164	ST TEE 06 MNPT X 06 FNPT	1
72*	HYDI00800	1" INDUSTRIAL WATER HOSE	38 IN
73*	HYDI00978	1/2 AIR BRAKE HOSE	39 IN
74*	HYDI00982	3/8 AIR BRAKE HOSE	30 IN
75*	HYDI01018	3/16" AIR BRAKE HOSE	105 IN
76	PCT400034	VALVE MOUNT BRKT	1
77	PCT400051	VALVE MOUNT BRKT	1
78	PCT400632	TANK MOUNT PLATE	4
79	PCT400743	LINK ARM	1
80	PCT400748	SHORT LINK PLATE	1
81	PCT400749	LONG LINK PLATE	1
82	PCT400838	PEDAL GUARD BRKT	1
83	PCT400908	WASHER FOR 1.4P DASH REGULATOR	1
84	PCT400961	LINK ARM	1
85	PCT400964	STEP BRKT	1
86	SAFI00100	SERIAL NUMBER PLATE	1
87	SAFI00786	PHIBER LOGO DECAL 5.19" X 9.40"	2
88	SAF400041	MASTER AIR DECAL	1
89	SAF400052	AGITATE D DECAL	1
90	SAF400094	RINSE SOURCE DECAL 1.4 DASH	1
91	SAF400095	CHEMICAL WARNING READ MANUAL	1
92	SAF400102	DASH 1.6P DECAL	1
93	SAF400139	DASH 1 STEP DECAL SMALL	1
94	SAF400142	DASH 1 STEP DECAL LARGE	1
95	WLD400239	HANDLE WLDT	2
96	WLD400244	HANDLE WLDT	1
97	WLD400247	HANDLE PIVOT WLDT	2
98	WLD400303	INDUCTOR STAND WELDT	1
99	WLD400357	DASH 1.6 WORK STEP	1
100	WLD400431	Y-FITTING FOR AIR INLET	1

1.6

DASH 1.6 PRIMARY

KIT400153



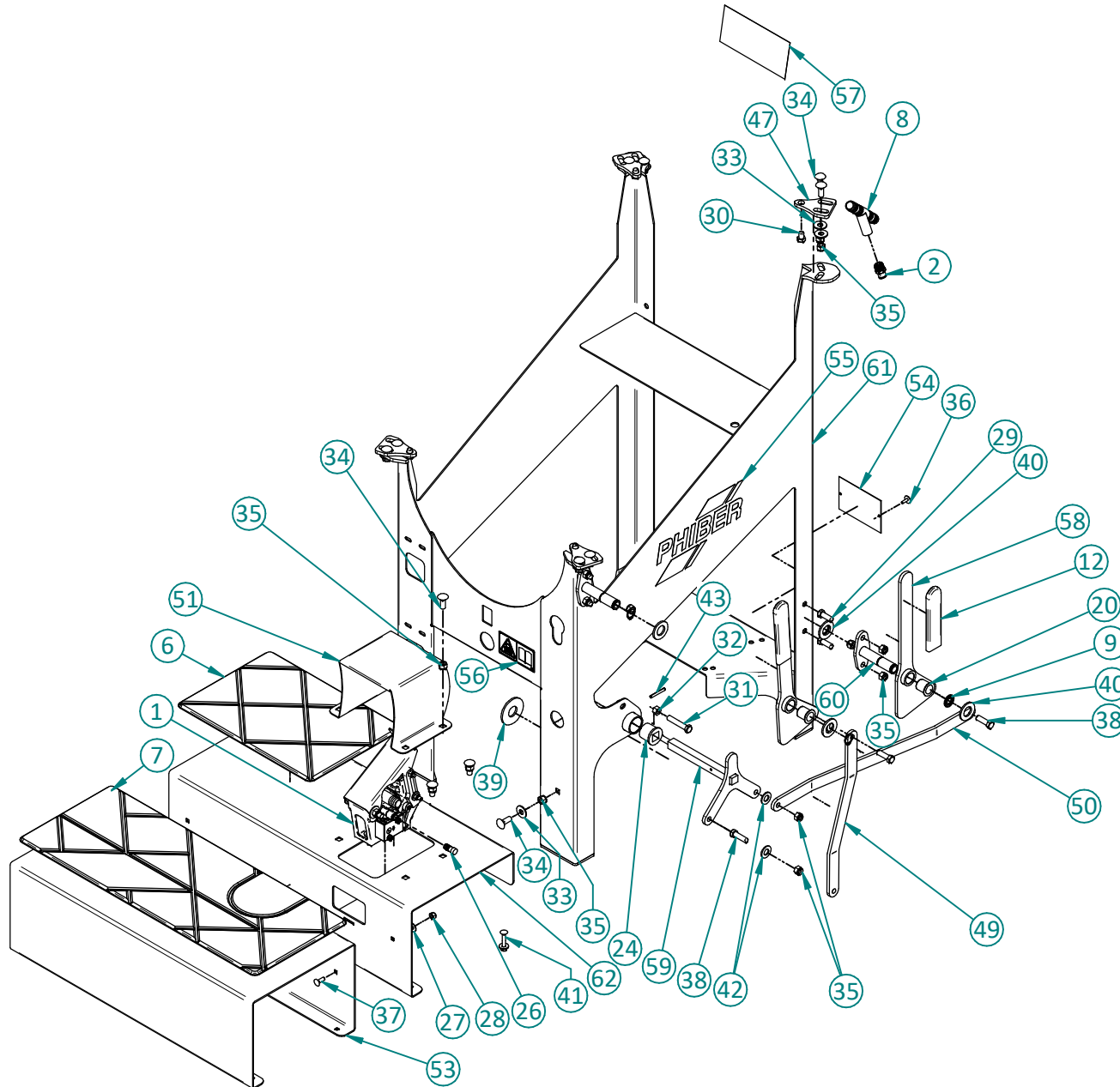
N	HYD100800	1" INDUSTRIAL WATER HOSE	20
M	HYD100800	1" INDUSTRIAL WATER HOSE	18
K	CMP400104	3/4" INDUSTRIAL WATER HOSE	30
J	CMP400104	3/4" INDUSTRIAL WATER HOSE	6
H	CMP400104	3/4" INDUSTRIAL WATER HOSE	60
G	CMP400104	3/4" INDUSTRIAL WATER HOSE	7
FH	HYD101018	3/16 AIR BRAKE HOSE	105
F	HYD100982	3/8 AIR BRAKE HOSE	30
E	HYD100978	1/2 AIR BRAKE HOSE	39
D	CMP400104	3/4" INDUSTRIAL WATER HOSE	26
C	CMP400104	3/4" INDUSTRIAL WATER HOSE	17
B	CMP400104	3/4" INDUSTRIAL WATER HOSE	20
A	CMP400104	3/4" INDUSTRIAL WATER HOSE	50
ITEM	PART NO.	DESCRIPTION	LENGTH (IN)

This page is intentionally left blank

1.6

DASH 1.6 SECONDARY

KIT400157



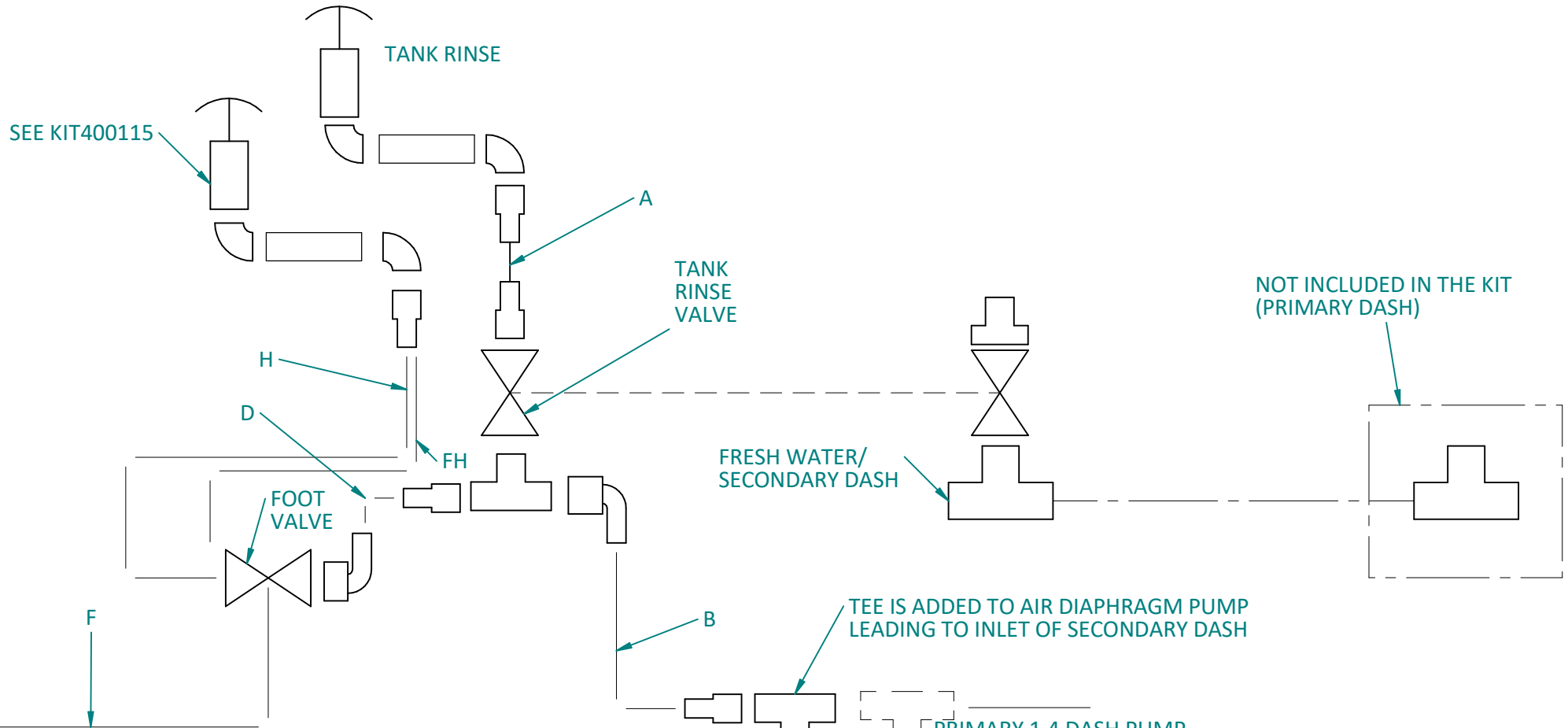
1.6**DASH 1.6 SECONDARY****KIT400157**

ITEM	PART NO.	DESCRIPTION	QTY	ITEM	PART NO.	DESCRIPTION	QTY
1	300338	SNAP RING EXTERNAL SS 0.75	4	35	FST100257	7/8" FLAT WASHER	1
2	ASM400108	75 GAL TANK ASSY DS	1	36	FST100404	3/4" WASHER HARDENED	4
3	ASM400114	D,A,S VALVE ASSEMBLY	1	37	FST100448	1/4" X 1 1/2" CARRIAGE BOLT	2
4	ASM400203	FOOT PEDAL W/ AIR VALVE	1	38	FST100732	1/2" NYLON FLAT WASHER	4
5	CMP400040	HAND GRIP	2	39	FST100872	3/16 X 1 1/2" ROLL PIN	1
6*	CMP400104	3/4" INDUSTRIAL WATER HOSE	155 IN	40	FST100900	3/8" X 2" STAINLESS STEEL CAP	1
7	CMP400134	SS CLAMP 2" FP FLG	3	41	FST100935	3/8" X 1 1/2" CAP SCREW SS	2
8	CMP400136	EPDM GASKET 2" FP FLG	3	42*	HYD100982	3/8 AIR BRAKE HOSE	30 IN
9	CMP400139	PP TEE 3/4" FNPT X 3/4" FNPT	2	43*	HYD101018	3/16" AIR BRAKE HOSE	97 IN
10	CMP400140	PP ADAPTER 3/4" MNPT X 3/4" MNPT	2	44	PCT400632	TANK MOUNT PLATE	4
11	CMP400141	PP ELBOW 90 DEG 3/4" MNPT X 3/4"	1	45	PCT400743	LINK ARM	1
12	CMP400143	PP ADAPTER 3/4" MNPT X 3/4" HB	3	46	PCT400748	SHORT LINK PLATE	1
13	CMP400172	FLANGE BUSHING .750" X .875" X	2	47	PCT400749	LONG LINK PLATE	1
14*	CMP400224	-12 GEAR CLAMP	7	48	PCT400838	PEDAL GUARD BRKT	1
15*	CMP400225	-16 GEAR CLAMP	12	49	PCT400961	LINK ARM	1
16	CMP400565	PP TEE 2" FP FLG X 3" HB	1	50	PCT400964	STEP BRKT	1
17	CMP400596	BUSHING	1	51	SAF100100	SERIAL NUMBER PLATE	1
18	CMP400692	PP ADAPTER 2" FP FLG X 2" FP FLG	1	52	SAF100786	PHIBER LOGO DECAL 5.19" X 9.40"	2
19	CMP400746	1/2" SPEEDFIT PLUG	1	53	SAF400095	CHEMICAL WARNING READ MANUAL	1
20	CMP401120	PL ADAPTER 3/8" MNPT X 3/8" FPTC	1	54	SAF400103	DASH 1.6S DECAL	1
21*	DOC400099	DASH X.6 SERIES OPERATOR'S	1	55	SAF400139	DASH 1 STEP DECAL SMALL	1
22*	DOC400104	DASH 1.6 SECONDARY QUICK START	1	56	SAF400142	DASH 1 STEP DECAL LARGE	1
23	FST100134	1/4" FLAT WASHER	4	57	WLD400239	HANDLE WLDT	2
24	FST100135	1/4" LOCK NUT	4	58	WLD400244	HANDLE WLDT	1
25	FST100141	3/8" X 1" CAP SCREW	4	59	WLD400247	HANDLE PIVOT WLDT	2
26	FST100142	3/8" X 3/4" CAP SCREW	4	60	WLD400303	INDUCTOR STAND WELDT	1
27	FST100143	3/8" X 2" CAP SCREW	1	61	WLD400357	DASH 1.6 WORK STEP	1
28	FST100148	3/8" NUT	1	62	WLD400431	Y-FITTING FOR AIR INLET	1
29	FST100150	3/8" FLAT WASHER	10				
30	FST100199	3/8" x 1" CARRIAGE BOLT	14				
31	FST100206	3/8" LOCKNUT	27				
32	FST100228	POP RIVET STEEL 3/16 X 1/2 X 5/8	2				
33	FST100233	1/4" X 3/4" CARRIAGE BOLT	2				
34	FST100241	3/8" X 1 1/4" CAP SCREW	4				

1.6

DASH 1.6 SECONDARY

KIT400157

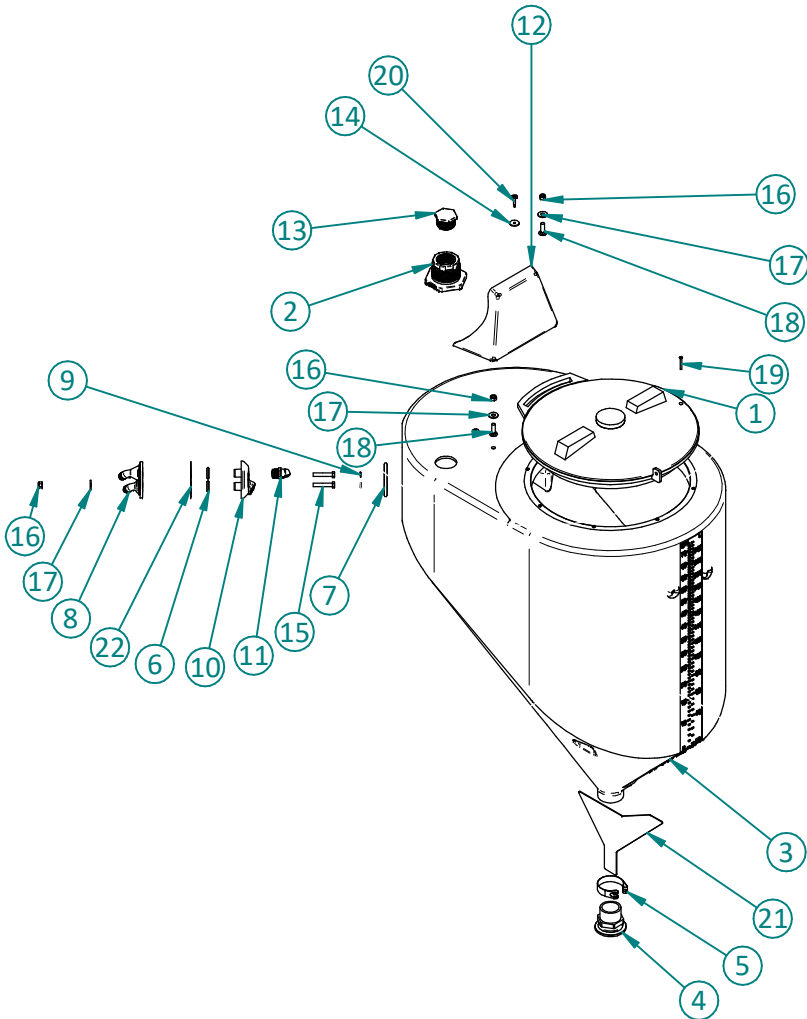


ITEM	PART NO.	DESCRIPTION	LENGTH (IN)
H	CMP400104	3/4" INDUSTRIAL WATER HOSE	60
FH	HYD101018	3/16 AIR BRAKE HOSE	97
F	HYD100982	3/8 AIR BRAKE HOSE	30
D	CMP400104	3/4" INDUSTRIAL WATER HOSE	16
B	CMP400104	3/4" INDUSTRIAL WATER HOSE	34
A	CMP400104	3/4" INDUSTRIAL WATER HOSE	45
HOSE CUT LIST			

2.6 / 4.6

75 GAL TANK ASSY AH

ASM400107

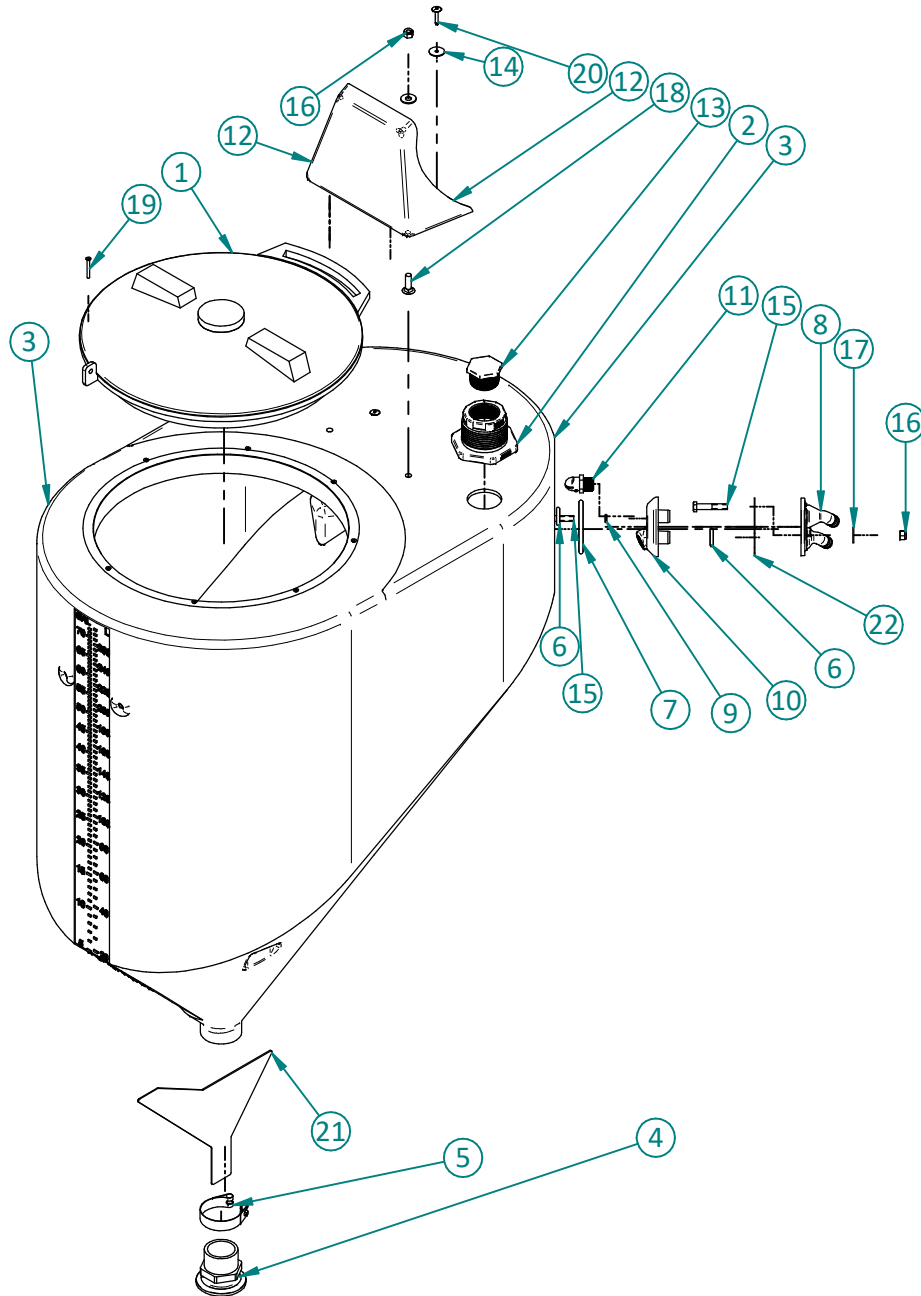


ITEM	PART NO.	DESCRIPTION	QTY
1	CMP400064	16" HINGED LID ASSY (VENTED)	1
2	CMP400126	PP BULKHEAD 1 1/2" FNPT X 1 1/2" FNPT	1
3	CMP400433	TANK 75 GAL	1
4	CMP400542	PP ADAPTER 2" FP FLG X 2" MNPT	1
5	CMP400548	HOSE CLAMP SS T-BOLT 2.50" TO 2.81"	1
6	CMP400676	O-RING (1 1/16 X 3/16 C/S) 70 DURO BUNA-N RUBBER	2
7	CMP400682	O-RING (3.00 X 1/4 C/S) 70 DURO BUNA-N RUBBER	1
8	CMP400695	DASH RINSE INPUT CASTING AH	1
9	CMP400778	O-RING (3.75 X 3/32 C/S) 70 DURO BUNA-N RUBBER	2
10	CMP400789	TANK RINSE BASE CASTING OPP	1
11	CMP400806	TANK RINSE FITTING	1
12	CMP400903	LID STOP PL	1
13	CMP401130	PP PLUG 1 1/2" MNPT	1
14	FST100298	3/16" FENDER WASHER	2
15	FST100900	3/8" X 2" STAINLESS STEEL CAP SCREW	2
16	FST100909	3/8" SS LOCKNUT	4
17	FST100910	3/8" SS FLAT WASHER	4
18	FST100911	3/8" x 1 1/4" SS CARRIAGE BOLT	2
19	FST100914	#10 X 1 1/2" SS FLAT HEAD TAPPING SCREW	8
20	FST101042	POP RIVET SS 3/16 X 1 X 5/8 HEAD	2
21	PCT400548	ANTI VORTEX PLATE 75 GAL	1
22	PCT400869	RINSE INPUT BACKING PLATE	1

2.6 / 4.6

75 GAL TANK ASSY DS

ASM400108



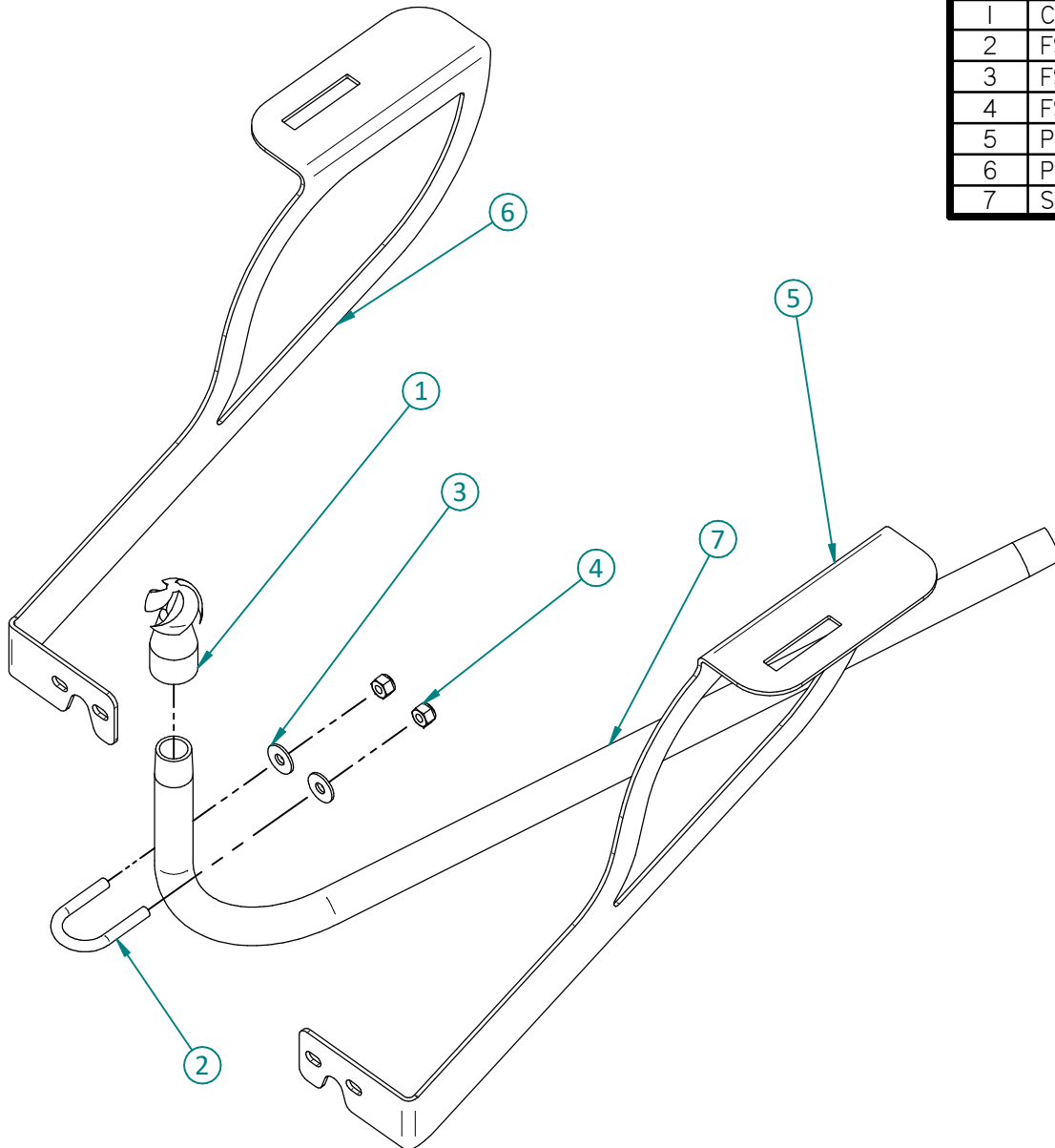
ITEM	PART NO.	DESCRIPTION	QTY
1	CMP400064	16" HINGED LID ASSY (VENTED)	1
2	CMP400126	PP BULKHEAD 1 1/2" FNPT X 1 1/2"	1
3	CMP400433	TANK 75 GAL	1
4	CMP400542	PP ADAPTER 2" FP FLG X 2" MNPT	1
5	CMP400548	HOSE CLAMP SS T-BOLT 2.50" TO	1
6	CMP400676	O-RING (1 1/3 X 3/16 C/S) 70 DURO	2
7	CMP400682	O-RING (3.00 X 1/4 C/S) 70 DURO	1
8	CMP400694	DASH TANK RINSE INPUT CASTING DS	1
9	CMP400778	O-RING (.375 X 3/32 C/S) 70 DURO	2
10	CMP400785	TANK RINSE BASE CASTING	1
11	CMP400806	TANK RINSE FITTING	1
12	CMP400903	LID STOP PL	1
13	CMP401130	PP PLUG 1 1/2" MNPT	1
14	FST100298	3/16" FENDER WASHER	2
15	FST100900	3/8" X 2" STAINLESS STEEL CAP	2
16	FST100909	3/8" SS LOCKNUT	4
17	FST100910	3/8" SS FLAT WASHER	4
18	FST100911	3/8" x 1 1/4" SS CARRIAGE BOLT	2
19	FST100914	#10 X 1 1/2" SS FLAT HEAD TAPPING	8
20	FST101042	POP RIVET SS 3/16 X 1 X 5/8 HEAD	2
21	PCT400548	ANTI VORTEX PLATE 75 GAL	1
22	PCT400869	RINSE INPUT BACKING PLATE	1

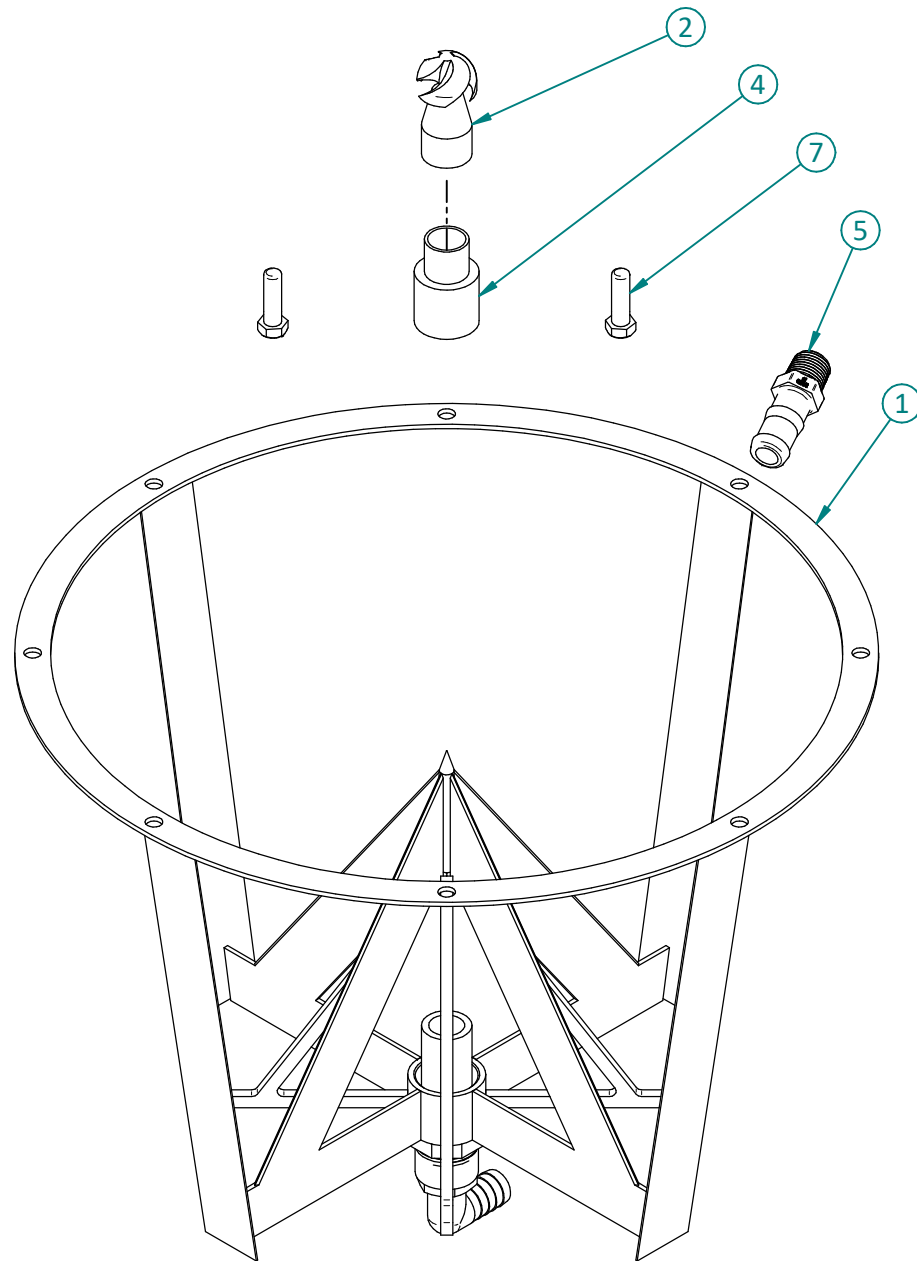
2.6 / 4.6

JUG RINSE KIT

KIT400164

ITEM	PART NO.	DESCRIPTION	QTY
1	CMP400061	RINSING NOZZLE	1
2	FST100480	1/4" X 1" PIPE SIZE U-BOLT	1
3	FST100925	1/4" FLAT WASHER SS	2
4	FST100926	1/4" LOCK NUT SS	2
5	PCT400930	JUG RINSE BRACKET SINGLE	1
6	PCT400930	JUG RINSE BRACKET SINGLE	1
7	SAW400517	JUG RINSE TUBE	2



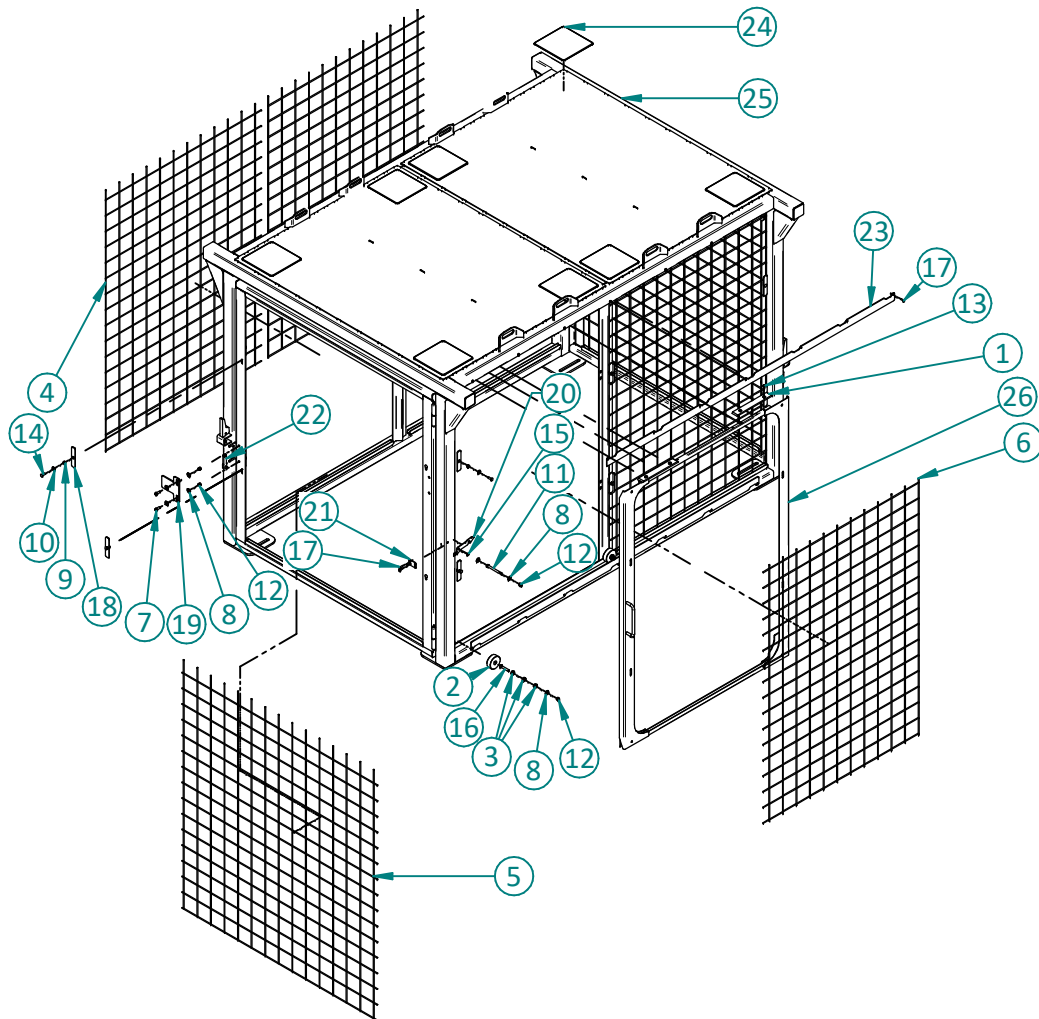
2.6 / 4.6**KNIFE KIT****KIT400119**

ITEM	PART NO.	DESCRIPTION	QTY
1	CMP400060	TANK KNIFE	1
2	CMP400061	RINSING NOZZLE	1
3*	CMP400104	3/4" INDUSTRIAL WATER HOSE	26 IN
4	CMP400187	3/4" SOCKET X MPT PVC ADAPTER	1
5	CMP400322	PP ADAPTER 1/2" MNPT X 3/4" HB	1
6*	DOC400076	JUG RINSE KIT QUICK START GUIDE	1
7	FST100901	3/8" X 1 1/4" CAP SCREW SS	2

2.6 / 4.6

CAGE 6'

KIT400079

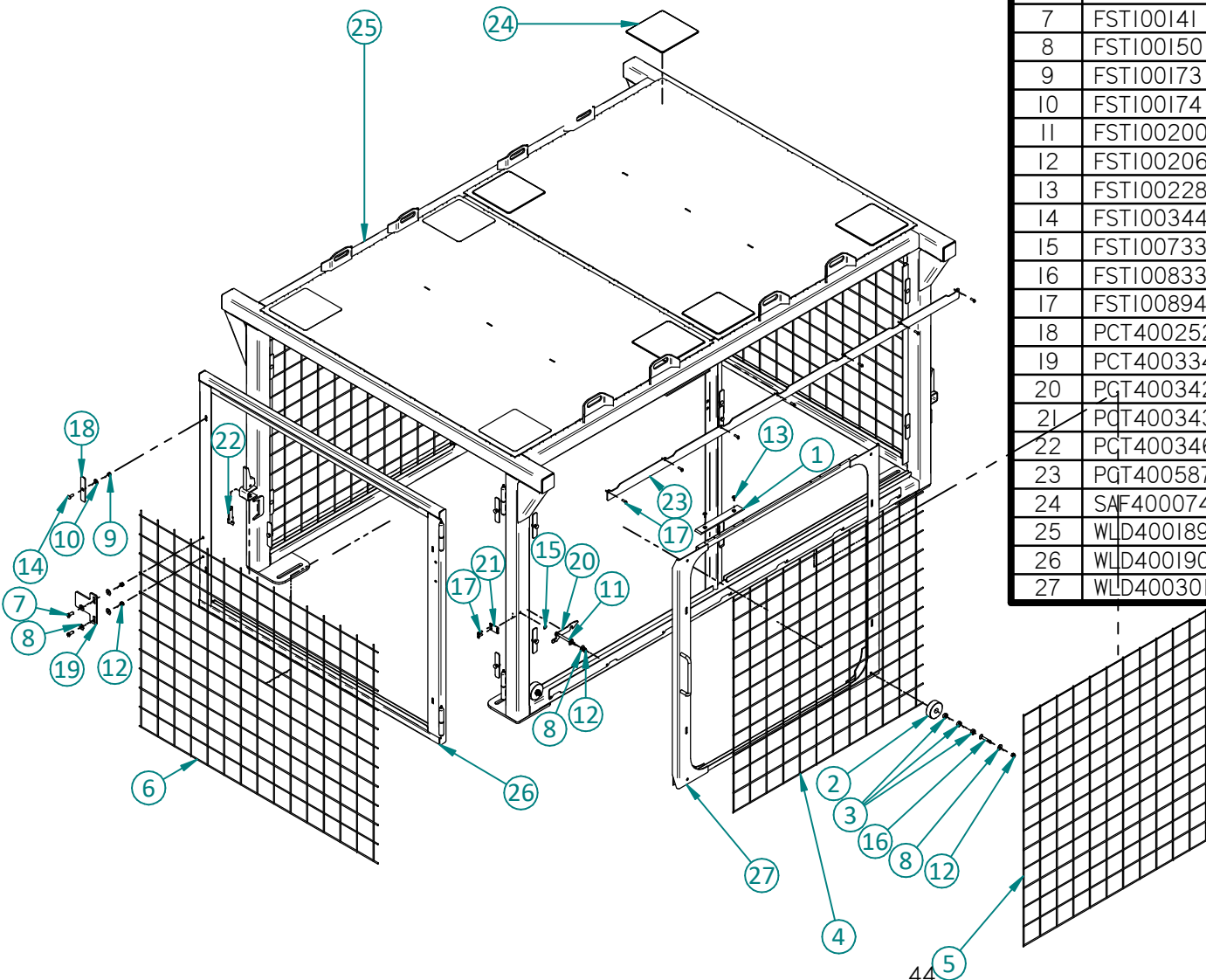


ITEM	PART NO.	DESCRIPTION	QTY
1	CMP-100147	PLASTIC STRIP BOTTOM	2
2	CMP400353	DOOR ROLLER	2
3	CMP400374	BEARING, 1604-2RS	6
4	CMP400495	CAGE SHEET	3
5	CMP400500	HINGE DOOR SHEET	2
6	CMP400848	6' CAGE SLIDING DOOR MESH	1
7	FST100141	3/8" X 1" CAP SCREW	4
8	FST100150	3/8" FLAT WASHER	12
9	FST100173	5/16" LOCK NUT	24
10	FST100174	5/16" FLAT WASHER	24
11	FST100200	3/8" X 4" CAP SCREW	1
12	FST100206	3/8" LOCKNUT	7
13	FST100228	POP RIVET STEEL 3/16 X 1/2 X 5/8	4
14	FST100344	5/16" x 1" CARRIAGE BOLT	24
15	FST100733	3/8" NYLON FLAT WASHER	1
16	FST100833	3/8" X 2" FLAT HEAD CAP SCREW	2
17	FST100894	1/4" x 3/4" THREAD CUTTING SCREW	9
18	PCT400252	WIRE CLAMP PLATE	24
19	PCT400334	DOOR CATCH	2
20	PCT400342	LATCH PLATE	1
21	PCT400343	DOOR LOCK PLATE	1
22	PCT400346	LATCH PLATE	2
23	PCT400587	SLIDE DOOR TOP GUIDE PLATE	1
24	SAF400074	PLATFORM ANTI SLIP ROUND	8
25	WLD400191	6' CAGE WELDMENT	1
26	WLD400300	SLIDING DOOR	1

2.6 / 4.6

CAGE 54"

KIT400080

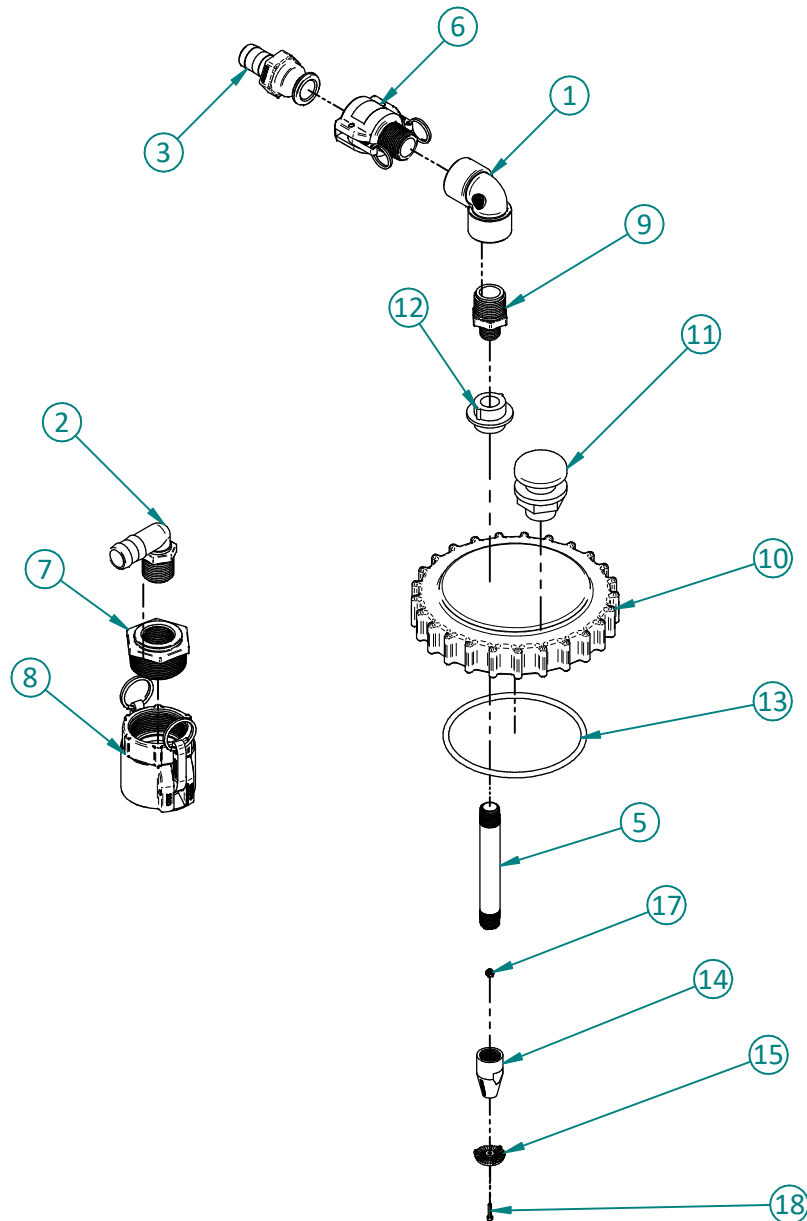


ITEM	PART NO.	DESCRIPTION	QTY
1	CMPI00147	PLASTIC STRIP BOTTOM	2
2	CMP400353	DOOR ROLLER	2
3	CMP400374	BEARING, 1604-2RS	6
4	CMP400496	SLIDING DOOR CAGE SHEET	1
5	CMP400497	CAGE SHEET	3
6	CMP400502	HINGE DOOR SHEET	2
7	FST100141	3/8" X 1" CAP SCREW	4
8	FST100150	3/8" FLAT WASHER	12
9	FST100173	5/16" LOCK NUT	24
10	FST100174	5/16" FLAT WASHER	24
11	FST100200	3/8" X 4" CAP SCREW	1
12	FST100206	3/8" LOCKNUT	7
13	FST100228	POP RIVET STEEL 3/16 X 1/2 X 5/8	4
14	FST100344	5/16" x 1" CARRIAGE BOLT	24
15	FST100733	3/8" NYLON FLAT WASHER	1
16	FST100833	3/8" X 2" FLAT HEAD CAP SCREW	2
17	FST100894	1/4" x 3/4" THREAD CUTTING SCREW	9
18	PCT400252	WIRE CLAMP PLATE	24
19	PCT400334	DOOR CATCH	2
20	PCT400342	LATCH PLATE	1
21	PCT400343	DOOR LOCK PLATE	1
22	PCT400346	LATCH PLATE	2
23	PQT400587	SLIDE DOOR TOP GUIDE PLATE	1
24	SAF400074	PLATFORM ANTI SLIP ROUND	8
25	WLD400189	5' CAGE WELDMENT	1
26	WLD400190	SWING DOOR WELDMENT	2
27	WLD400301	SLIDING DOOR SHORT	1

2.6 / 4.6

TOTE RINSE KIT

KIT400085



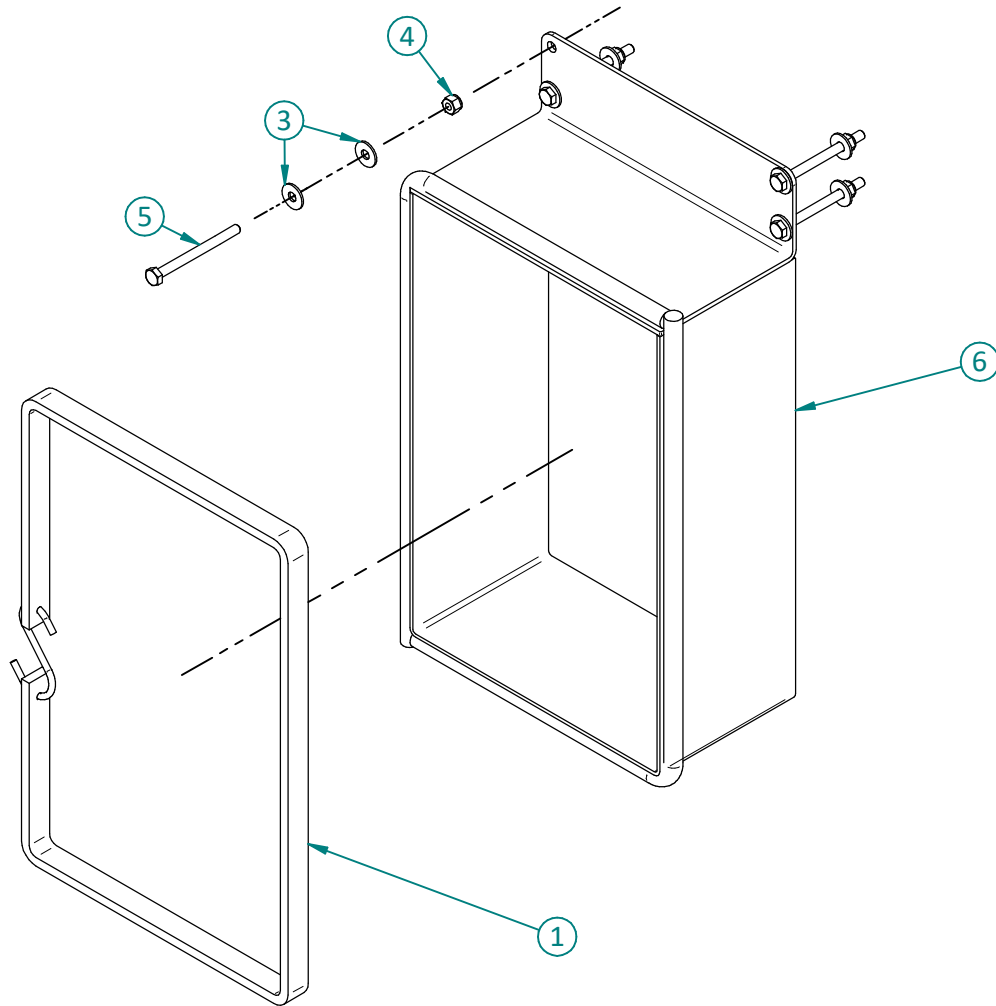
ITEM	PART NO.	DESCRIPTION	QTY
1	CMP400027	PP ELBOW 90 DEG 1" FNPT X 1" FNPT	1
2	CMP400037	PP ELBOW 90 DEG 1" MNPT X 1" HB	1
3	CMP400209	PP ADAPTER 1" HB X 1" MQDC	1
4*	CMP400225	-16 GEAR CLAMP	2
5	CMP400230	SS ADAPTER 6" LONG 1/2" MNPT X 1/2" MNPT	1
6	CMP400305	PP ADAPTER 1" MNPT X 1" FQDC	1
7	CMP400307	PP ADAPTER 2" MNPT X 1" FNPT	1
8	CMP400309	PP ADAPTER 2" FNPT X 2" FQDC	1
9	CMP400504	PP ADAPTER 1" MNPT X 1/2" MNPT	1
10	CMP400506	6.5" IBC TANK LID	1
11	CMP400507	TANK AIR VENT	1
12	CMP400508	PL SWF 1/2" FNPT X 1/2" FNPT	1
13	CMP400712	O-RING (MI40 X M6 C/S) 70 DURO EPDM RUBBER	1
14	CMP400757	RINSER BASE	1
15	CMP400768	TOTE RINSER TOP	1
16*	DOC400050	TOTE RINSE QUICK START MANUAL	1
17	FST100940	#6-32 LOCK NUT SS	1
18	FST100941	#6-32 X 5/8" SOCKET HEAD CAP SCREW SS	1
19*	HYDI00800	1" INDUSTRIAL WATER HOSE	124 IN

2.6 / 4.6

BAG HOLDER

KIT400088

ITEM	PART NO.	DESCRIPTION	QTY
1	CMP400576	41" RUBBER TARP STRAP	1
2	DOC400061	TOTE BAG KIT QUICK START GUIDE	1
3	FST100134	1/4" FLAT WASHER	8
4	FST100135	1/4" LOCK NUT	4
5	FST100172	1/4" X 3" BOLT	4
6	WLD400199	BAG MOUNT WLDT	1

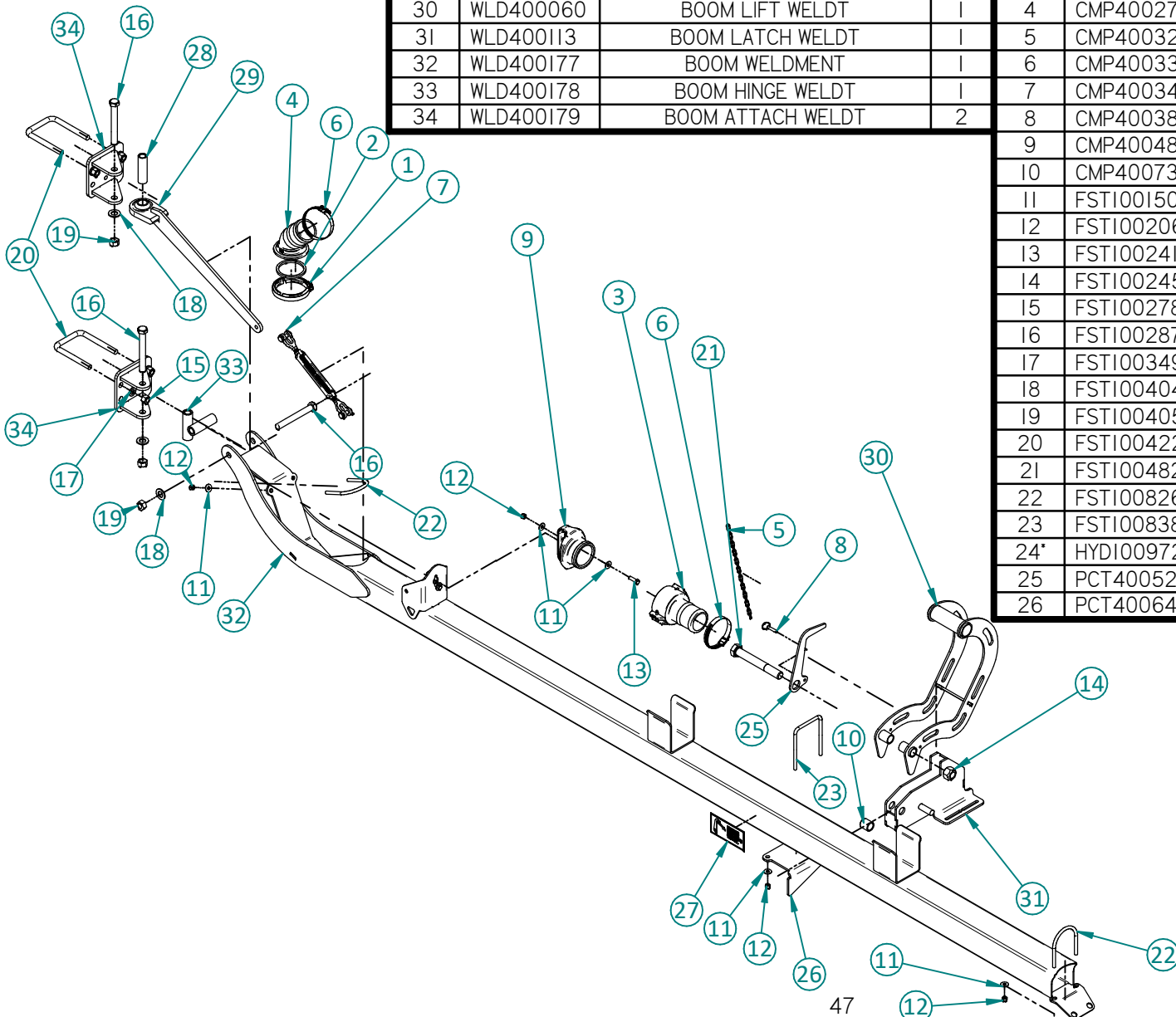


2.6 / 4.6

BOOM ARM KIT GEN 3

KIT400075

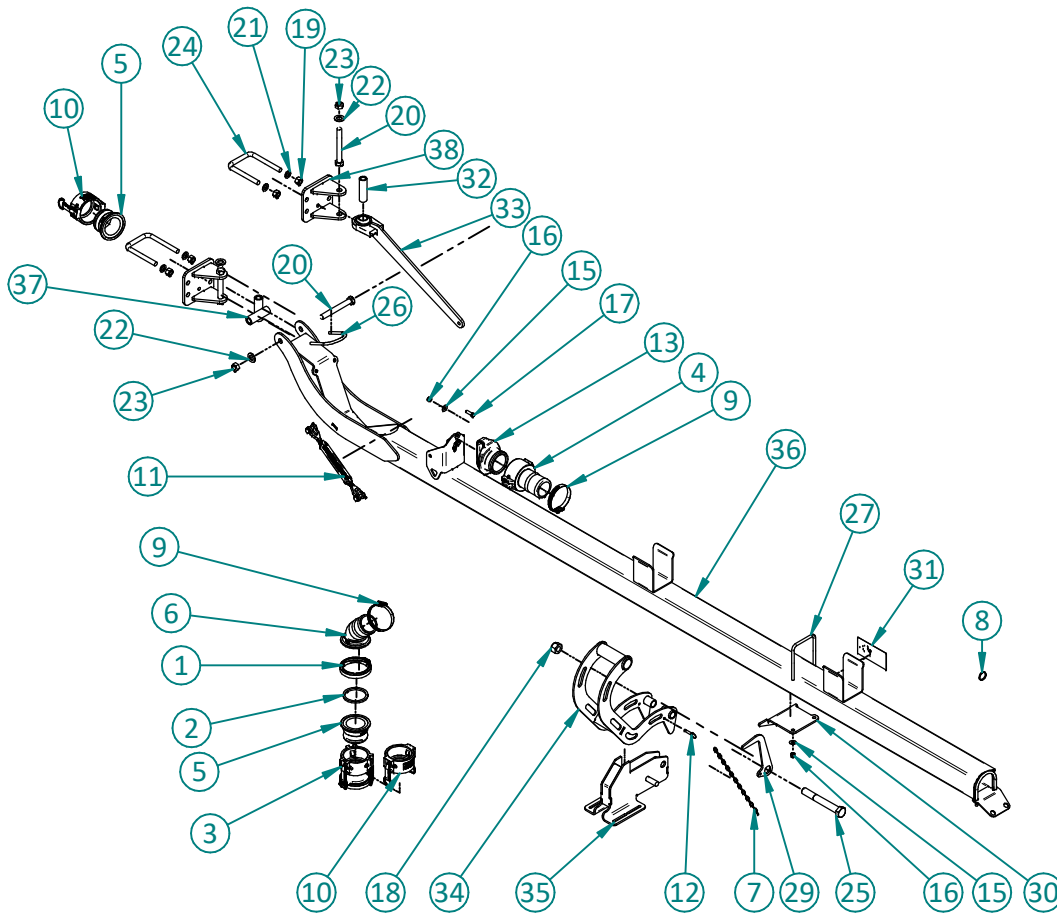
ITEM	PART NO.	DESCRIPTION	QTY	ITEM	PART NO.	DESCRIPTION	QTY
27	SAF400038	DECAL BOOM LATCH	1	1	CMP400004	SS CLAMP 3" FLG	1
28	SAW400395	BUSHING TUBE	1	2	CMP400005	EPDM GASKET 3" FLG	1
29	WLD400042	BOOM GUSSET ARM WELDT	1	3	CMP400232	PP ADAPTER 3" HB X 3" FQDC	1
30	WLD400060	BOOM LIFT WELDT	1	4	CMP400273	PP ELBOW 45 DEG 3" FLG X 3" HB	1
31	WLD400113	BOOM LATCH WELDT	1	5	CMP400324	#4 STRAIGHT LINK CHAIN	1
32	WLD400177	BOOM WELDMNT	1	6	CMP400331	GEAR CLAMP HD 3.31"-4.00"	2
33	WLD400178	BOOM HINGE WELDT	1	7	CMP400348	1/2" X 6" TURNBUCKLE	1
34	WLD400179	BOOM ATTACH WELDT	2	8	CMP400381	5/16 X 1" QUICK RELEASE PIN	1
				9	CMP400483	PP PLUG 3" MQDC	1
				10	CMP400735	SLEEVE BEARING, 1" X 1-1/4" X 1-1/4" LONG	1
				11	FST100150	3/8" FLAT WASHER	10
				12	FST100206	3/8" LOCKNUT	8
				13	FST100241	3/8" X 1 1/4" CAP SCREW	2
				14	FST100245	1" LOCKNUT	1
				15	FST100278	5/8" CRIMP NUT	4
				16	FST100287	3/4" X 6" CAP SCREW	3
				17	FST100349	5/8" HARDENED WASHER	4
				18	FST100404	3/4" WASHER HARDENED	3
				19	FST100405	3/4" CRIMP NUT	3
				20	FST100422	5/8" X 4" X 4" U-BOLT	2
				21	FST100482	1" X 7 1/2" BOLT	1
				22	FST100826	3/8" X 3 1/2" X 4 3/4" U-BOLT	2
				23	FST100838	3/8" X 4" X 6" U-BOLT	1
				24'	HYD100972	HOSE EPDM SUCTION 3" GREY	33 FT
				25	PCT400526	BOOM LATCH PLATE	1
				26	PCT400648	BOOM RAMP	1



2.6 / 4.6

DUAL BOOM

KIT400084

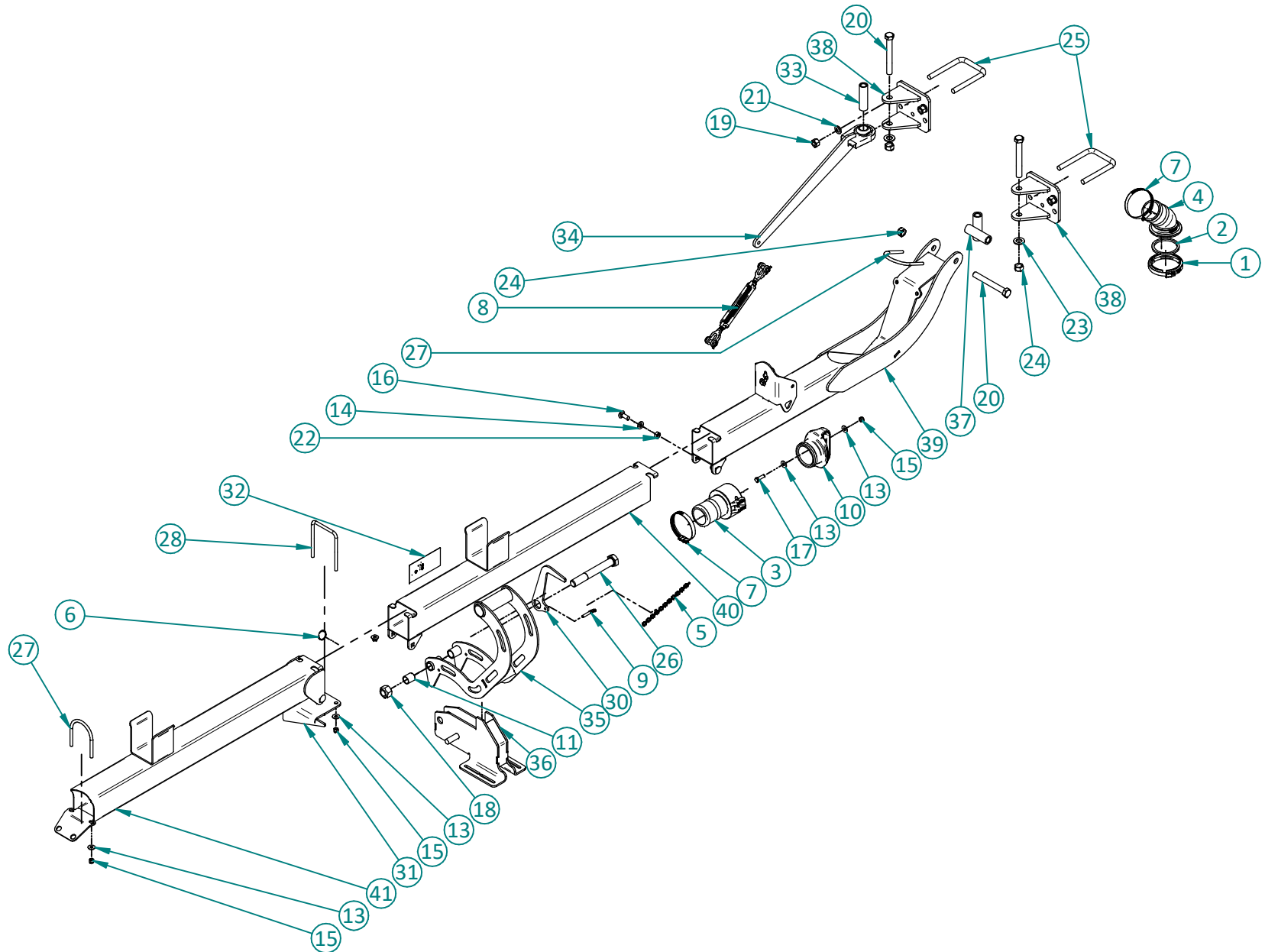


ITEM	PART NO.	DESCRIPTION	QTY
1	CMP400004	SS CLAMP 3" FLG	2
2	CMP400005	EPDM GASKET 3" FLG	2
3	CMP400030	PP ADAPTER 3" FLG X 3" FQDC	1
4	CMP400232	PP ADAPTER 3" HB X 3" FQDC	1
5	CMP400243	PP ADAPTER 3" FLG X 3" MQDC	2
6	CMP400273	PP ELBOW 45 DEG 3" FLG X 3" HB	1
7	CMP400324	#4 STRAIGHT LINK CHAIN	9 IN
8	CMP400325	1 1/4" SPLIT RING	1
9	CMP400331	GEAR CLAMP HD 3.31"-4.00"	2
10	CMP400335	PP CAP 3" FQDC	2
11	CMP400348	1/2" X 6" TURNBUCKLE	1
12	CMP400381	5/16 X 1" QUICK RELEASE PIN	1
13	CMP400483	PP PLUG 3" MQDC	1
14	CMP400735	SLEEVE BEARING, 1" X 1-1/4" X 1-1/4"	1
15	FST100150	3/8" FLAT WASHER	10
16	FST100206	3/8" LOCKNUT	8
17	FST100241	3/8" X 1 1/4" CAP SCREW	2
18	FST100245	1" LOCKNUT	1
19	FST100278	5/8" CRIMP NUT	4
20	FST100287	3/4" X 6" CAP SCREW	3
21	FST100349	5/8" HARDENED WASHER	4
22	FST100404	3/4" WASHER HARDENED	3
23	FST100405	3/4" CRIMP NUT	3
24	FST100422	5/8" X 4" X 4" U-BOLT	2
25	FST100482	1" X 7 1/2" BOLT	1
26	FST100826	3/8" X 3 1/2" X 4 3/4" U-BOLT	2
27	FST100838	3/8" X 4" X 6" U-BOLT	1
28	HYD100972	HOSE EPDM SUCTION 3" GREY	40 FT
29	PCT400526	BOOM LATCH PLATE	1
30	PCT400648	BOOM RAMP	1
31	SAF400038	DECAL BOOM LATCH	1
32	SAW400395	BUSHING TUBE	1
33	WLD400042	BOOM GUSSET ARM WELDT	1
34	WLD400060	BOOM LIFT WELDT	1
35	WLD400113	BOOM LATCH WELDT	1
36	WLD400177	BOOM WELDMENT	1
37	WLD400178	BOOM HINGE WELDT	1
38	WLD400179	BOOM ATTACH WELDT	2

2.6 / 4.6

BOOM ARM KIT SECTIONAL

KIT400158



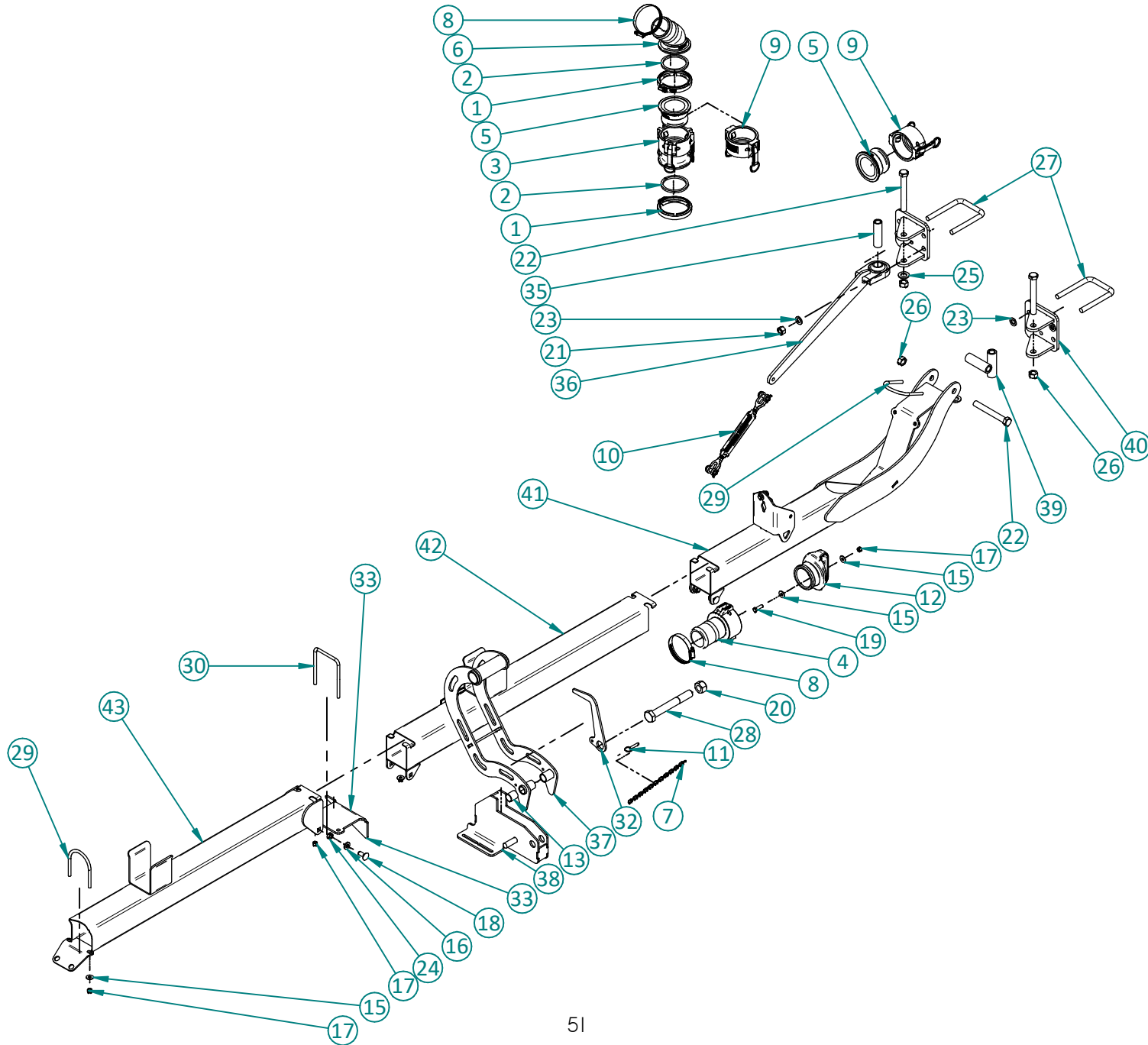
2.6 / 4.6**BOOM ARM KIT SECTIONAL****KIT400158**

ITEM	PART NO.	DESCRIPTION	QTY	ITEM	PART NO.	DESCRIPTION	QTY
1	CMP400004	SS CLAMP 3" FLG	1	35	WLD400060	BOOM LIFT WELDT	1
2	CMP400005	EPDM GASKET 3" FLG	1	36	WLD400113	BOOM LATCH WELDT	1
3	CMP400232	PP ADAPTER 3" HB X 3" FQDC	1	37	WLD400178	BOOM HINGE WELDT	1
4	CMP400273	PP ELBOW 45 DEG 3" FLG X 3" HB	1	38	WLD400179	BOOM ATTACH WELDT	2
5	CMP400324	#4 STRAIGHT LINK CHAIN	1	39	WLD400369	BOOM BASE WELDMENT	1
6	CMP400325	1 1/4" SPLIT RING	9 IN	40	WLD400370	CENTER BOOM WELDMENT	1
7	CMP400331	GEAR CLAMP HD 3.31"-4.00"	2	41	WLD400375	END BOOM WELDMENT	1
8	CMP400348	1/2" X 6" TURNBUCKLE	1				
9	CMP400381	5/16 X 1" QUICK RELEASE PIN	1				
10	CMP400483	PP PLUG 3" MQDC	1				
11	CMP400710	SLEEVE BEARING, 1" X 1-1/8" X 1-1/4"	1				
12*	DOC400102	QUICK START GUIDE	1				
13	FST100150	3/8" FLAT WASHER	10				
14	FST100151	1/2" FLAT WASHER HARDENED	4				
15	FST100206	3/8" LOCKNUT	8				
16	FST100235	1/2" X 1 1/4" CARRIAGE BOLT	4				
17	FST100241	3/8" X 1 1/4" CAP SCREW	2				
18	FST100245	1" LOCKNUT	1				
19	FST100278	5/8" CRIMP NUT	4				
20	FST100287	3/4" X 6" CAP SCREW	3				
21	FST100349	5/8" HARDENED WASHER	4				
22	FST100356	1/2" CRIMP NUT	4				
23	FST100404	3/4" WASHER HARDENED	3				
24	FST100405	3/4" CRIMP NUT	3				
25	FST100422	5/8" X 4" X 4" U-BOLT	2				
26	FST100482	1" X 7 1/2" BOLT	1				
27	FST100826	3/8" X 3 1/2" X 4 3/4" U-BOLT	2				
28	FST100838	3/8" X 4" X 6" U-BOLT	1				
29*	HYDI00972	HOSE EPDM SUCTION 3" GREY	33 FT				
30	PCT400526	BOOM LATCH PLATE	1				
31	PCT400648	BOOM RAMP	1				
32	SAF400038	DECAL BOOM LATCH	1				
33	SAW400395	BUSHING TUBE	1				
34	WLD400042	BOOM GUSSET ARM WELDT	1				

2.6 / 4.6

DUAL BOOM ARM KIT SECTIONAL

KIT400190

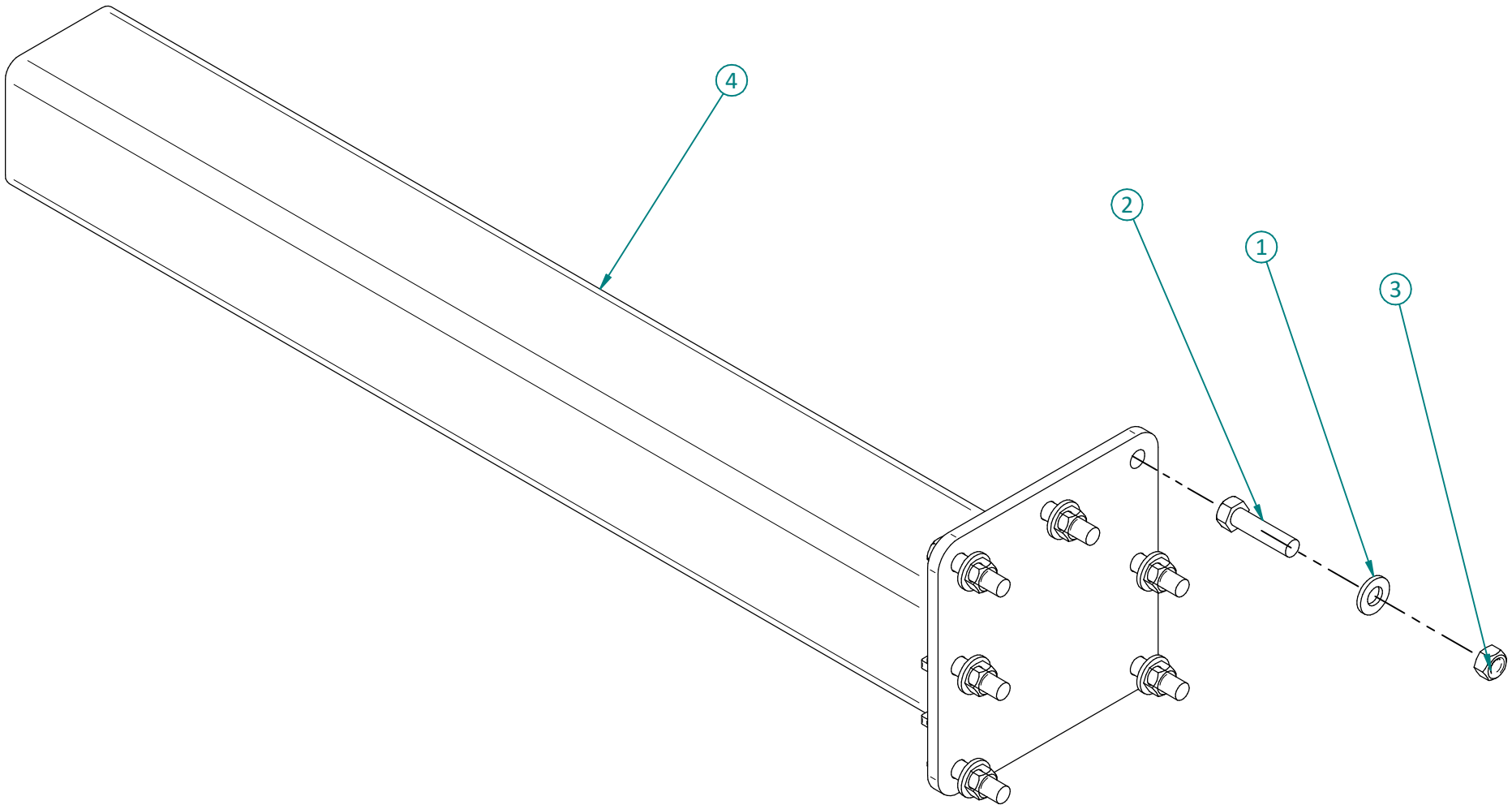


2.6 / 4.6**DUAL BOOM ARM KIT SECTIONAL****KIT400190**

ITEM	PART NO.	DESCRIPTION	QTY	ITEM	PART NO.	DESCRIPTION	QTY
1	CMP400004	SS CLAMP 3" FLG	2	35	SAW400395	BUSHING TUBE	1
2	CMP400005	EPDM GASKET 3" FLG	2	36	WLD400042	BOOM GUSSET ARM WELDT	1
3	CMP400030	PP ADAPTER 3" FLG X 3" FQDC	1	37	WLD400060	BOOM LIFT WELDT	1
4	CMP400232	PP ADAPTER 3" HB X 3" FQDC	1	38	WLD400113	BOOM LATCH WELDT	1
5	CMP400243	PP ADAPTER 3" FLG X 3" MQDC	2	39	WLD400178	BOOM HINGE WELDT	1
6	CMP400273	PP ELBOW 45 DEG 3" FLG X 3" HB	1	40	WLD400179	BOOM ATTACH WELDT	2
7	CMP400324	#4 STRAIGHT LINK CHAIN	9 IN	41	WLD400369	BOOM BASE WELDMENT	1
8	CMP400331	GEAR CLAMP HD 3.31"-4.00"	2	42	WLD400370	CENTER BOOM WELDMENT	1
9	CMP400335	PP CAP 3" FQDC	2	43	WLD400375	END BOOM WELDMENT	1
10	CMP400348	1/2" X 6" TURNBUCKLE	1				
11	CMP400381	5/16 X 1" QUICK RELEASE PIN	1				
12	CMP400483	PP PLUG 3" MQDC	1				
13	CMP400710	SLEEVE BEARING, 1" X 1-1/8" X 1-1/4"	1				
14*	DOC400102	QUICK START GUIDE	1				
15	FST100150	3/8" FLAT WASHER	10				
16	FST100151	1/2" FLAT WASHER HARDENED	4				
17	FST100206	3/8" LOCKNUT	8				
18	FST100235	1/2" X 1 1/4" CARRIAGE BOLT	4				
19	FST100241	3/8" X 1 1/4" CAP SCREW	2				
20	FST100245	1" LOCKNUT	1				
21	FST100278	5/8" CRIMP NUT	4				
22	FST100287	3/4" X 6" CAP SCREW	3				
23	FST100349	5/8" HARDENED WASHER	4				
24	FST100356	1/2" CRIMP NUT	4				
25	FST100404	3/4" WASHER HARDENED	3				
26	FST100405	3/4" CRIMP NUT	3				
27	FST100422	5/8" X 4" X 4" U-BOLT	2				
28	FST100482	1" X 7 1/2" BOLT	1				
29	FST100826	3/8" X 3 1/2" X 4 3/4" U-BOLT	2				
30	FST100838	3/8" X 4" X 6" U-BOLT	1				
31*	HYDI00972	HOSE EPDM SUCTION 3" GREY	40 FT				
32	PCT400526	BOOM LATCH PLATE	1				
33	PCT400648	BOOM RAMP	1				
34*	SAF400038	DECAL BOOM LATCH	1				

2.6 / 4.6**STANDALONE BOOM KIT****KIT400023**

ITEM	PART NO.	DESCRIPTION	QTY
1	FSTI00151	1/2" FLAT WASHER HARDENED	7
2	FSTI00192	1/2" x 2" BOLT	7
3	FSTI00356	1/2" CRIMP NUT	7
4	WLD400083	STANDALONE BOOM WELDT	1

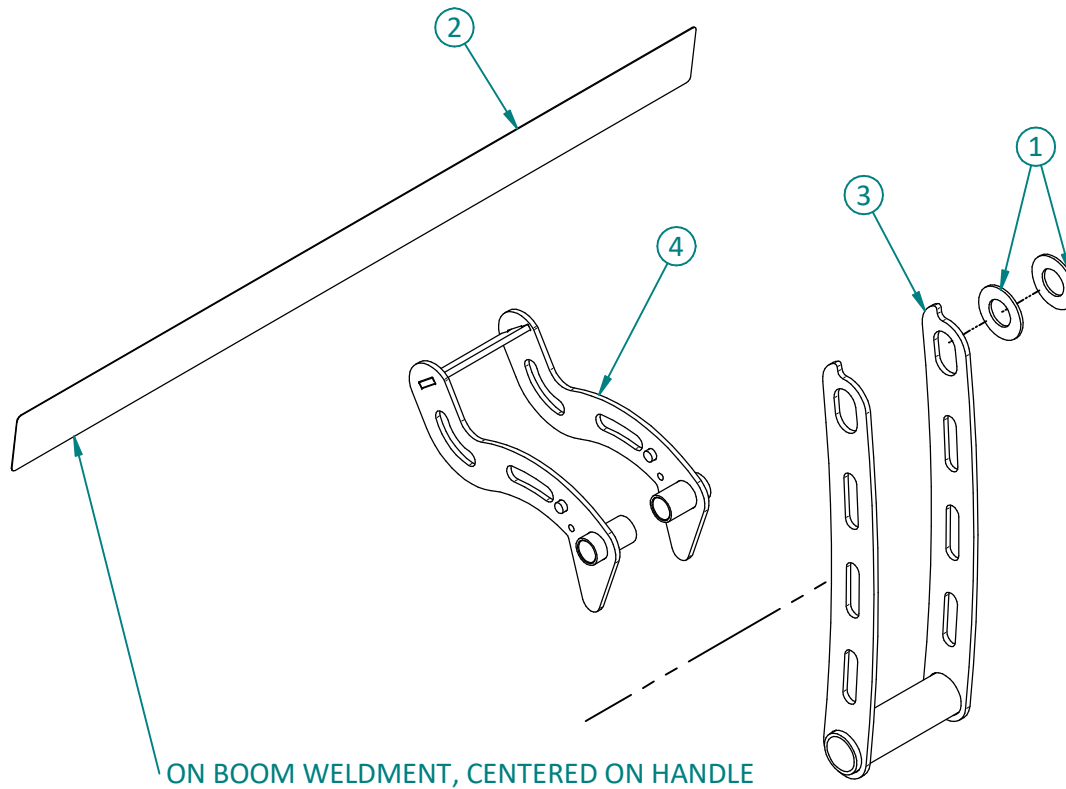


2.6 / 4.6

AUX BOOM HANDLE

KIT400101

ITEM	PART NO.	DESCRIPTION	QTY
1	FST100726	1 1/4" HARDENED WASHER F436	2
2	SAF400069	DO NOT PUSH IN ZONE DECAL	1
3	WLD400215	BOOM LIFT WELDT	1
4	WLD400217	BOOM LIFT WELDT	1

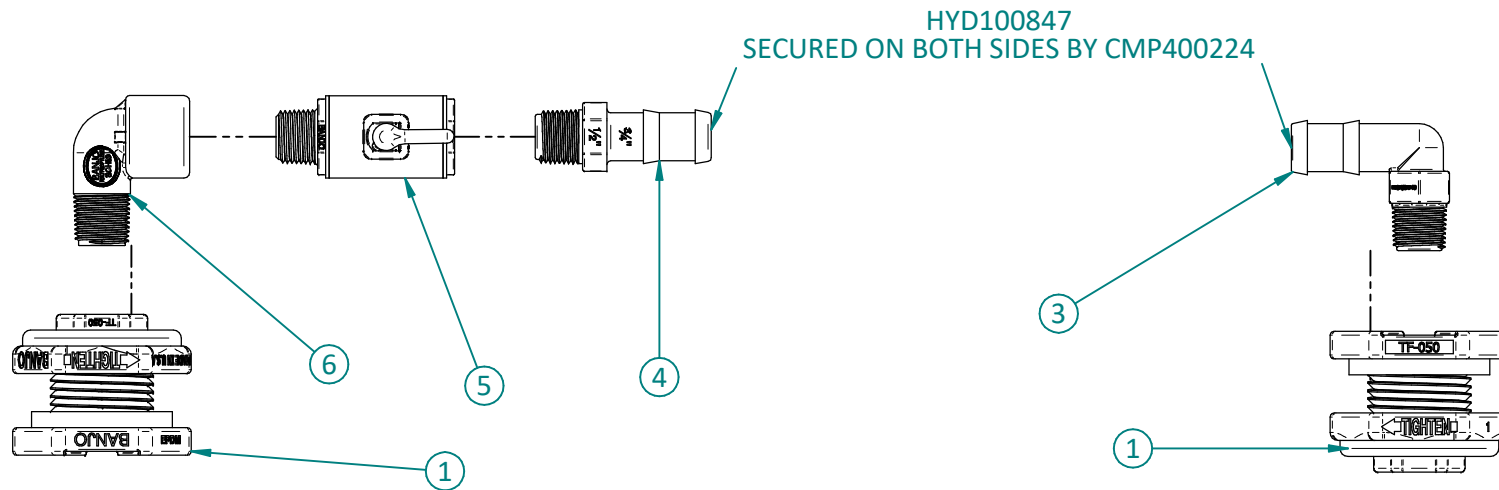


2.6 / 4.6

TANK SIGHT GLASS

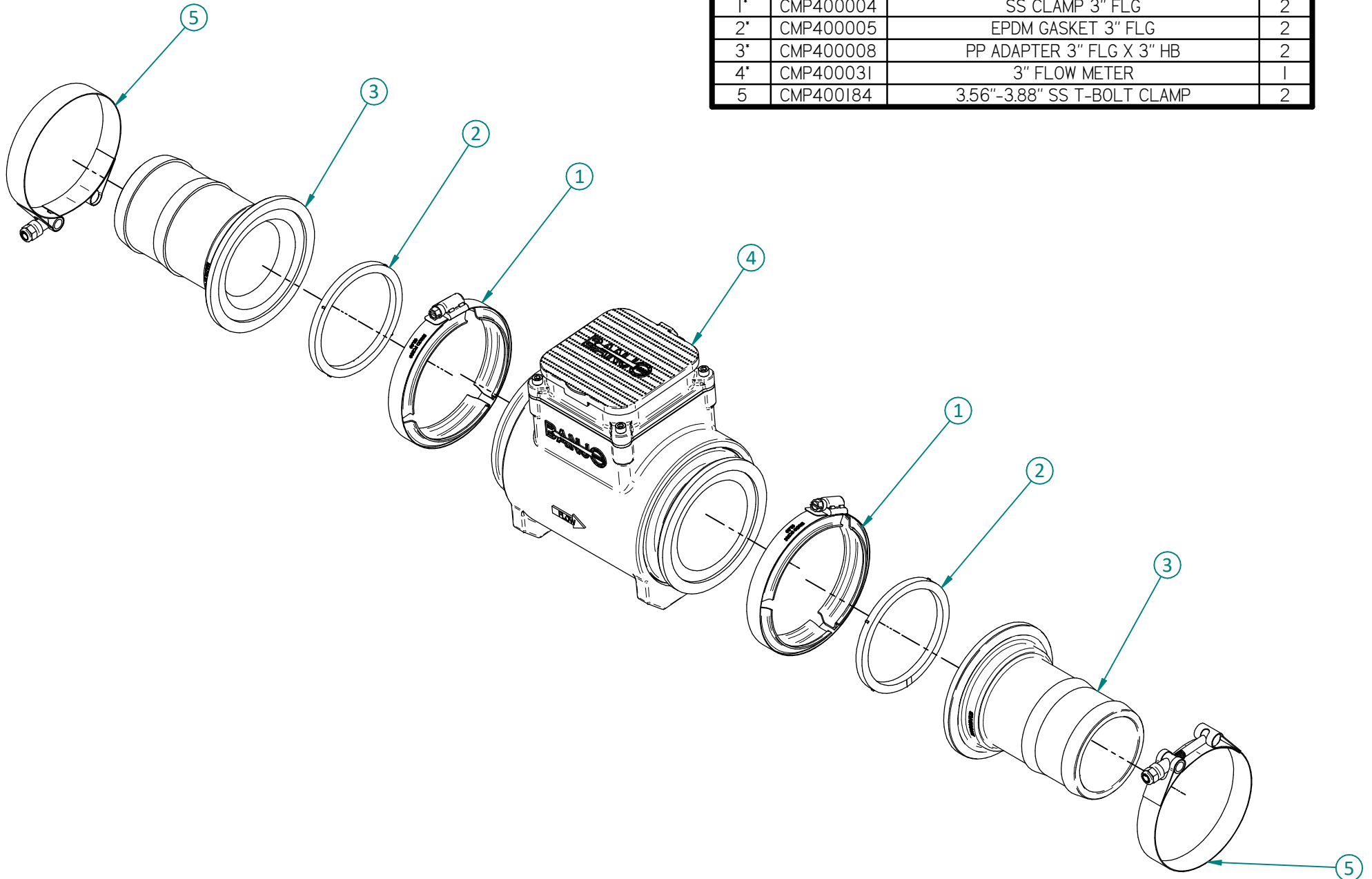
KIT400135

ITEM	Part NO.	DESCRIPTION	QTY
1	CMP400084	PP BULKHEAD 1/2" FNPT X 1/2" FNPT	2
2*	CMP400224	-12 GEAR CLAMP	2
3	CMP400321	PP ELBOW 90 DEG 1/2" MNPT X 3/4" HB	1
4	CMP400322	PP ADAPTER 1/2" MNPT X 3/4" HB	1
5	CMP400323	PP VALVE MICRO 1/2" MNPT X 1/2" FNPT	1
6	CMP400327	PP ELBOW 90 DEG 1/2" FNPT X 1/2" MNPT	1
7*	HYD100847	HOSE PVC 3/4" CLEAR	96 IN



2.6 / 4.6**3" FLOW METER KIT****KIT400009**

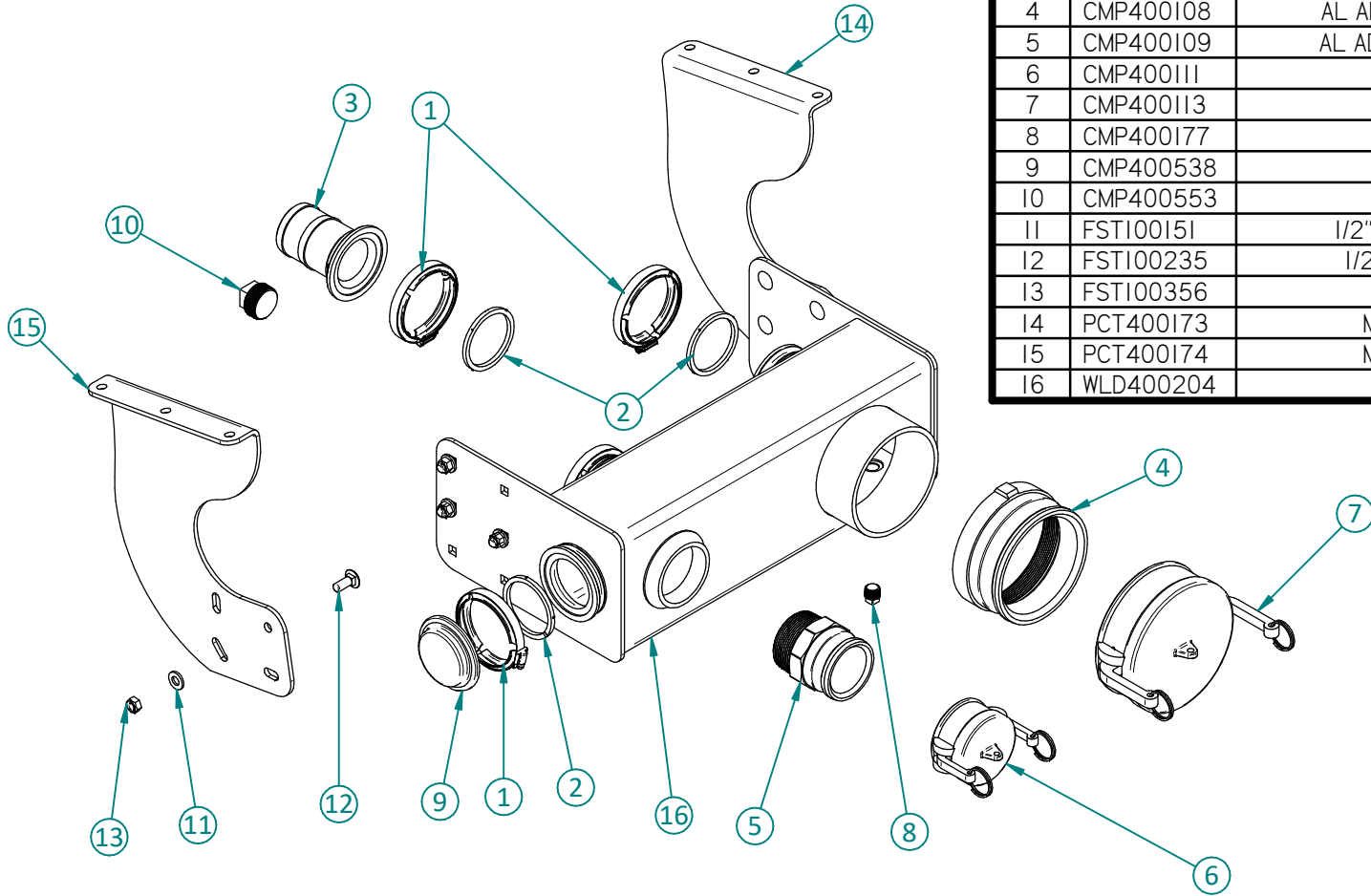
ITEM	PART NO.	DESCRIPTION	QTY
1*	CMP400004	SS CLAMP 3" FLG	2
2*	CMP400005	EPDM GASKET 3" FLG	2
3*	CMP400008	PP ADAPTER 3" FLG X 3" HB	2
4*	CMP400031	3" FLOW METER	1
5	CMP400184	3.56"-3.88" SS T-BOLT CLAMP	2



2.6 / 4.6

TANK MANIFOLD KIT GEN 3

KIT400095



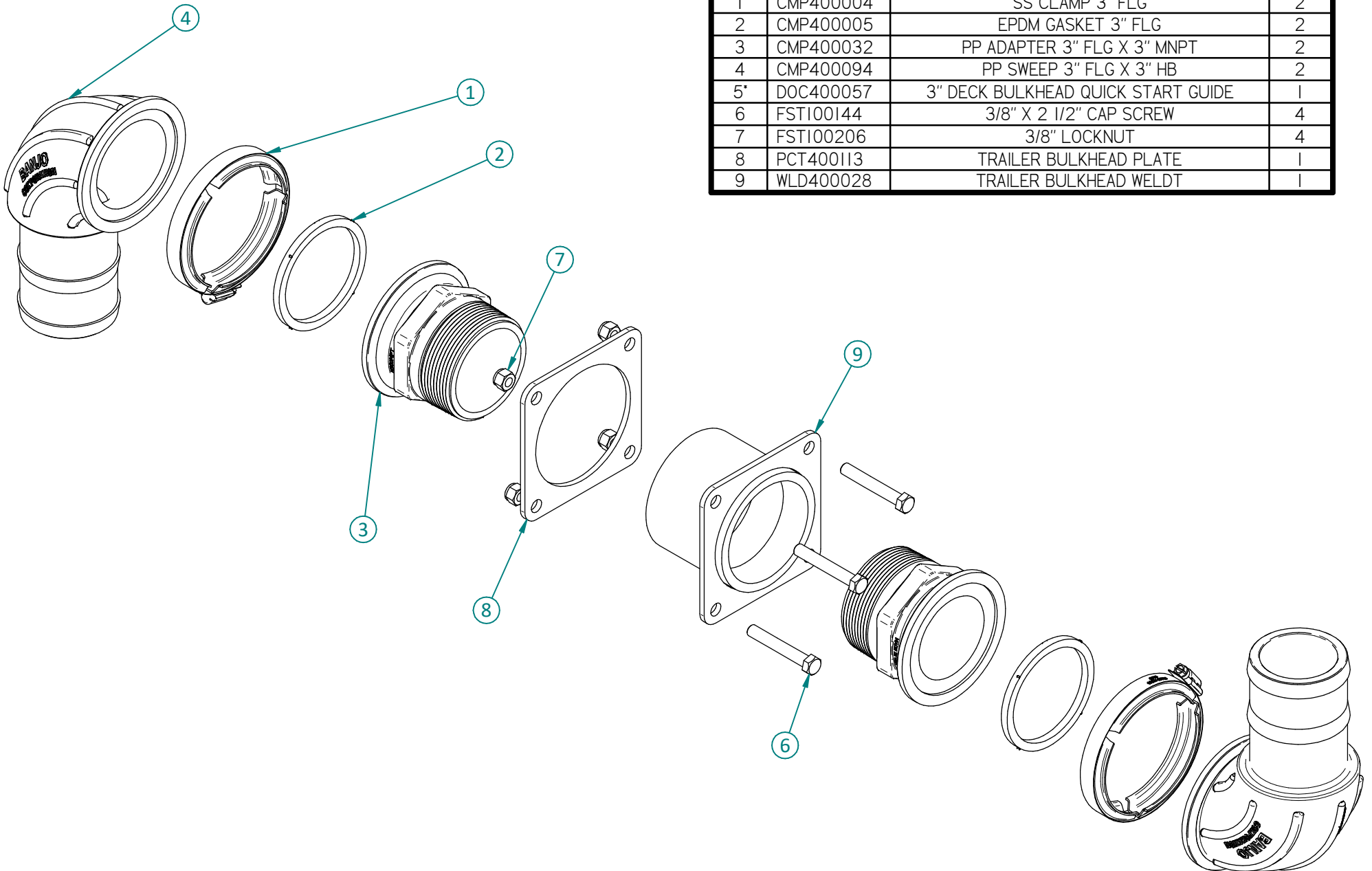
ITEM	PART NO.	DESCRIPTION	QTY
1	CMP400004	SS CLAMP 3" FLG	4
2	CMP400005	EPDM GASKET 3" FLG	4
3	CMP400008	PP ADAPTER 3" FLG X 3" HB	1
4	CMP400108	AL ADAPTER 6" FNPT X 6" MQDC	1
5	CMP400109	AL ADAPTER 3" MNPT X 3" MQDC	1
6	CMP400111	AL CAP 3" FQDC	1
7	CMP400113	AL CAP 6" FQDC	1
8	CMP400177	BI PLUG 1/2" MNPT	1
9	CMP400538	PP PLUG 3" FLG	1
10	CMP400553	BI PLUG 1 1/2" MNPT	1
11	FST100151	1/2" FLAT WASHER HARDENED	8
12	FST100235	1/2" X 1 1/4" CARRIAGE BOLT	8
13	FST100356	1/2" CRIMP NUT	8
14	PCT400173	MANIFOLD HANGER BRKT	1
15	PCT400174	MANIFOLD HANGER BRKT	1
16	WLD400204	MANIFOLD WELDT	1

2.6 / 4.6

3" DECK BULKHEAD

KIT400005

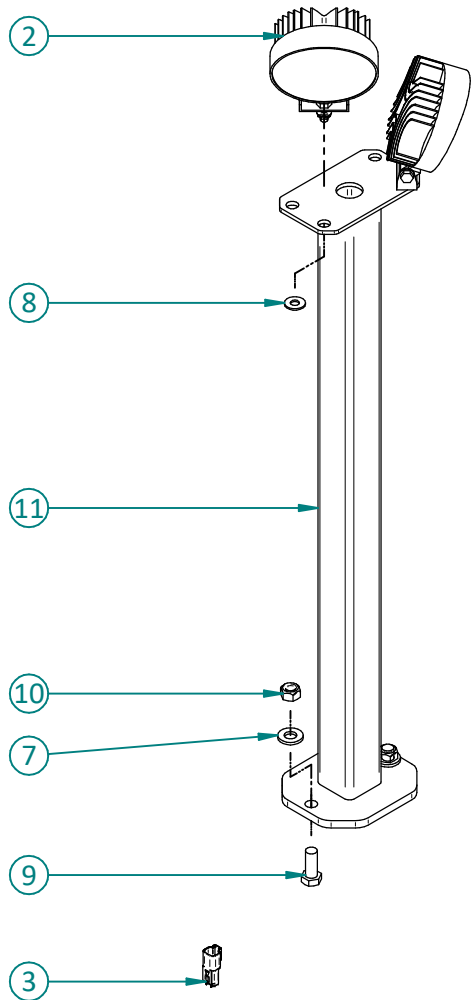
ITEM	PART NO.	DESCRIPTION	QTY
1	CMP400004	SS CLAMP 3" FLG	2
2	CMP400005	EPDM GASKET 3" FLG	2
3	CMP400032	PP ADAPTER 3" FLG X 3" MNPT	2
4	CMP400094	PP SWEEP 3" FLG X 3" HB	2
5*	DOC400057	3" DECK BULKHEAD QUICK START GUIDE	1
6	FST100144	3/8" X 2 1/2" CAP SCREW	4
7	FST100206	3/8" LOCKNUT	4
8	PCT400113	TRAILER BULKHEAD PLATE	1
9	WLD400028	TRAILER BULKHEAD WELDT	1



2.6 / 4.6

LIGHT KIT

KIT400167



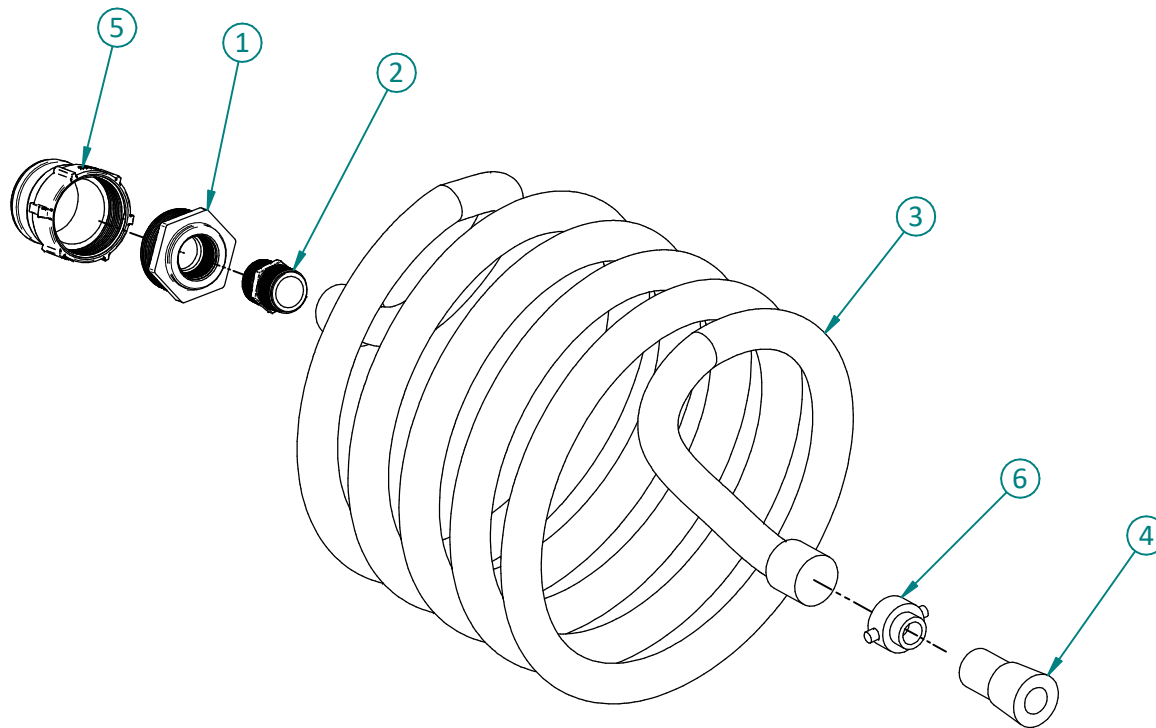
ITEM	PART NO.	DESCRIPTION	QTY
1*	DOC400055	LIGHT ASSEMBLY QUICK START	1
2	ELCI00500	5 BULB LED WORK LIGHT	2
3	ELCI00731	DEUTSCH RECEPTACLE 2 PIN DT	1
4*	ELCI00756	DEUTSCH PLUG SEAL PLUG	2
5*	ELCI00881	LIGHT POST HARNESS	1
6*	ELCI00908	LIGHT HARNESS	1
7	FSTI00151	1/2" FLAT WASHER HARDENED	2
8	FSTI00174	5/16" FLAT WASHER	2
9	FSTI00190	1/2" X 1 1/4" CAP SCREW	2
10	FSTI00356	1/2" CRIMP NUT	2
11	WLD400035	LIGHT STAND WELDT	1

2.6 / 4.6

FIRE NOZZLE KIT

KIT400093

ITEM	PART NO.	DESCRIPTION	QTY
1	CMP400242	PP ADAPTER 3" MNPT X 1 1/2" FNPT	1
2	CMP400491	PP ADAPTER 1 1/2" MNPT X 1 1/2" MNPT	1
3	CMP400531	1 1/2" FIRE HOSE ASSY 75' W/ NPSH THREADS	1
4	CMP400533	1 1/2" FIRE HOSE NOZZLE	1
5	CMP400534	AL ADAPTER 3" FNPT X 3" MQDC	1
6	CMP400563	NPSH NOZZLE ADAPTER	1

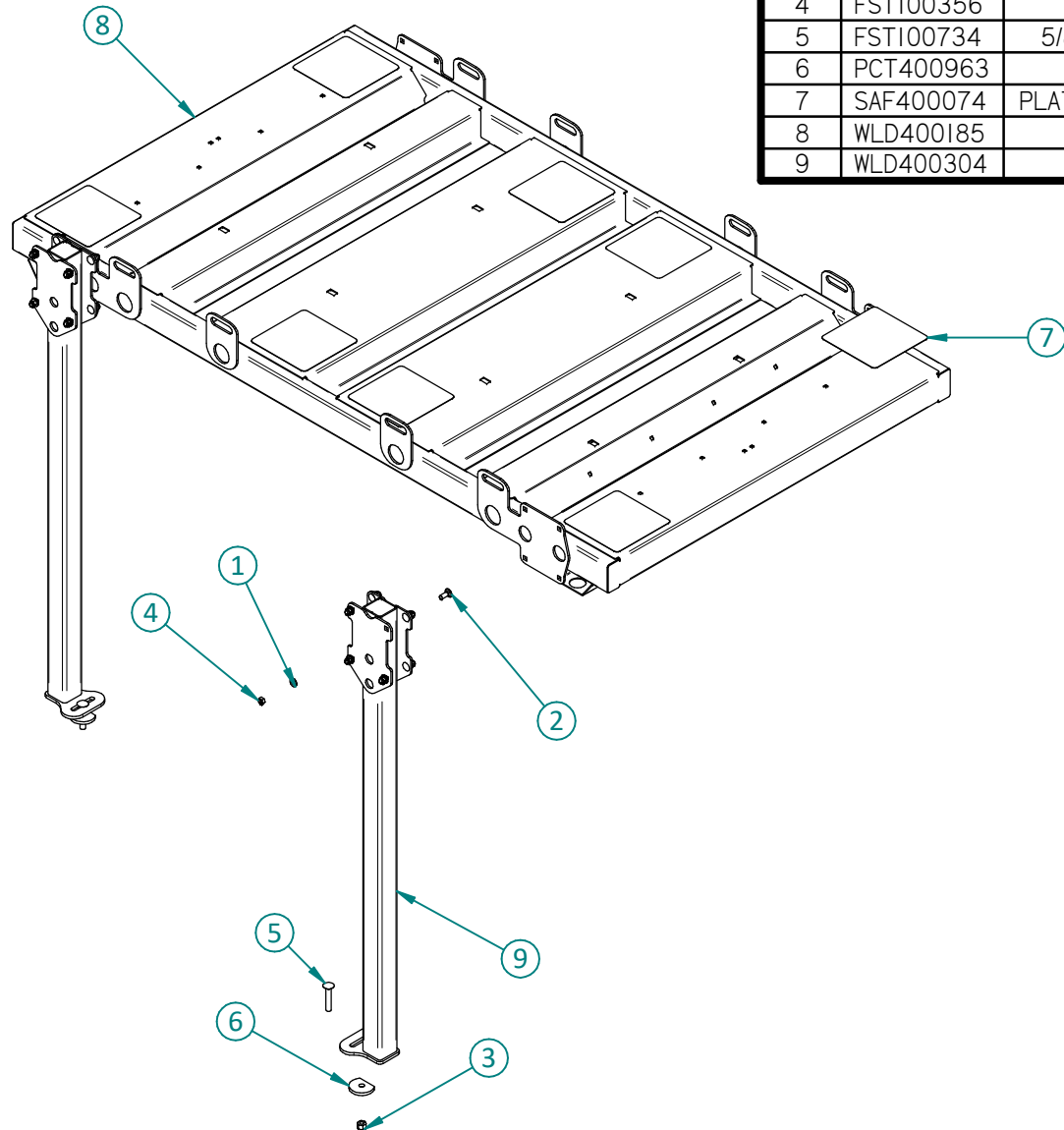


4.6

TOTE PLATFORM GEN 2

KIT400078

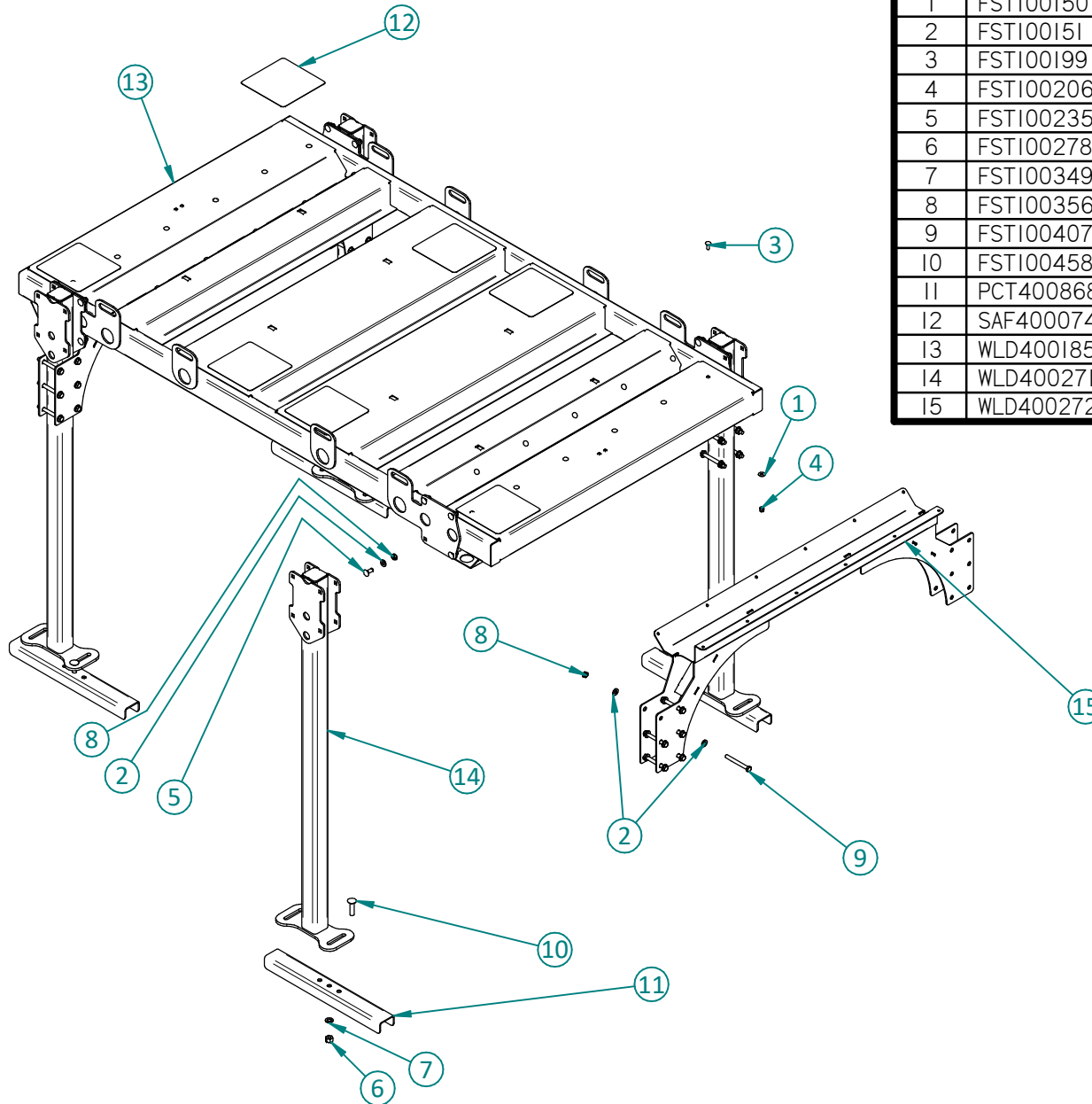
ITEM	PART NO.	DESCRIPTION	QTY
1	FST100151	1/2" FLAT WASHER HARDENED	16
2	FST100235	1/2" X 1 1/4" CARRIAGE BOLT	16
3	FST100278	5/8" CRIMP NUT	2
4	FST100356	1/2" CRIMP NUT	16
5	FST100734	5/8" X 3 1/2" CARRIAGE BOLT GR8	2
6	PCT400963	DECK SUPPORT WASHER	2
7	SAF400074	PLATFORM ANTI SLIP ROUND CORNER	8
8	WLD400185	PLATFORM WELDMENT	1
9	WLD400304	UPRIGHT STAND WELDT	2



4.6

FREE STANDING TOTE PLATFORM

KIT400114

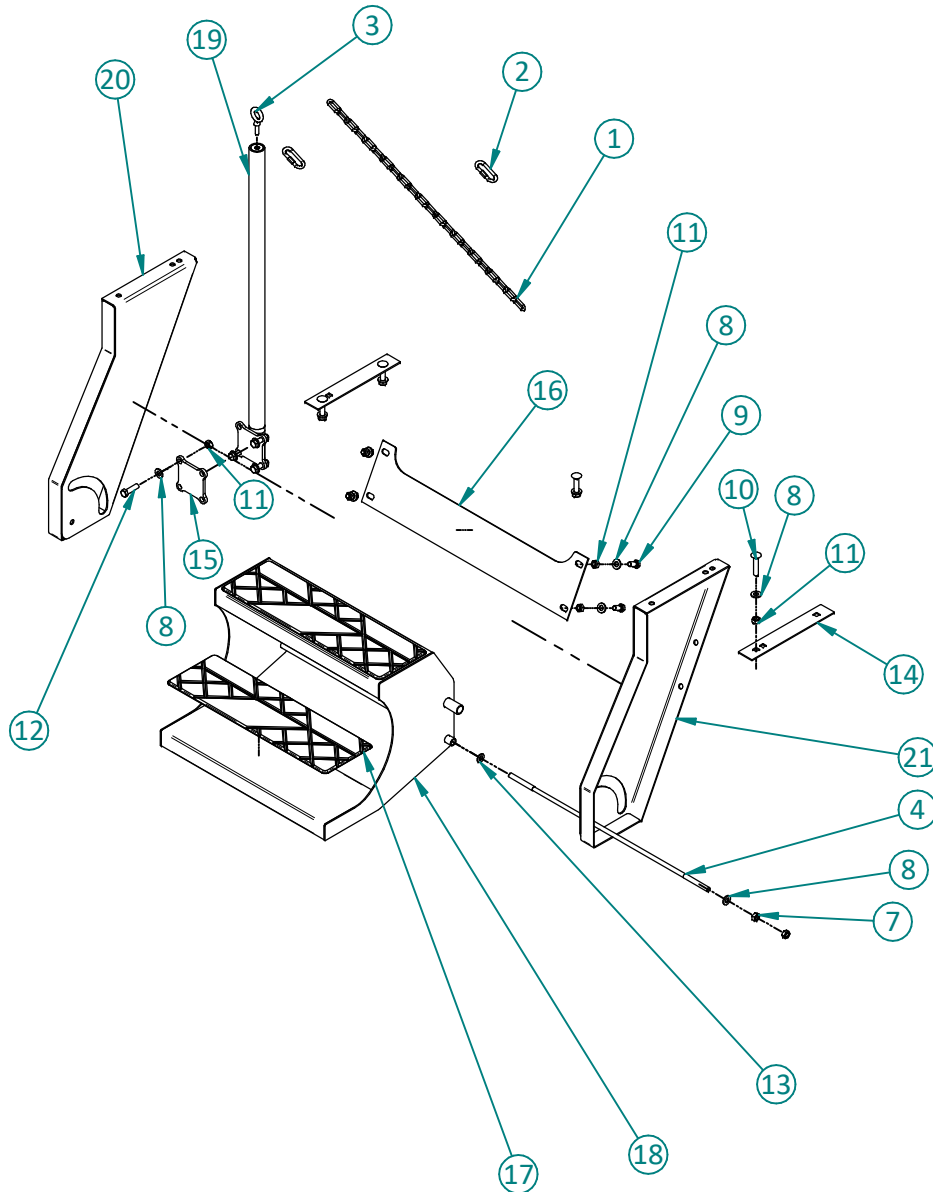


ITEM	PART NO.	DESCRIPTION	QTY
1	FST100150	3/8" FLAT WASHER	24
2	FST100151	1/2" FLAT WASHER HARDENED	64
3	FST100199	3/8" x 1" CARRIAGE BOLT	24
4	FST100206	3/8" LOCKNUT	24
5	FST100235	1/2" X 1 1/4" CARRIAGE BOLT	16
6	FST100278	5/8" CRIMP NUT	4
7	FST100349	5/8" HARDENED WASHER	4
8	FST100356	1/2" CRIMP NUT	40
9	FST100407	1/2" X 4 1/2" CAP SCREW	24
10	FST100458	5/8" X 2 1/2" CARRIAGE BOLT GR8	4
11	PCT400868	DECK SUPPORT BRKT	4
12	SAF400074	PLATFORM ANTI SLIP ROUND CORNER	8
13	WLD400185	PLATFORM WELDMNT	1
14	WLD400271	UPRIGHT STAND WELDT	4
15	WLD400272	PLATFORM GUSSET WLDT	2

2.6 / 4.6

TRAILER STEPS (41")

KIT400026

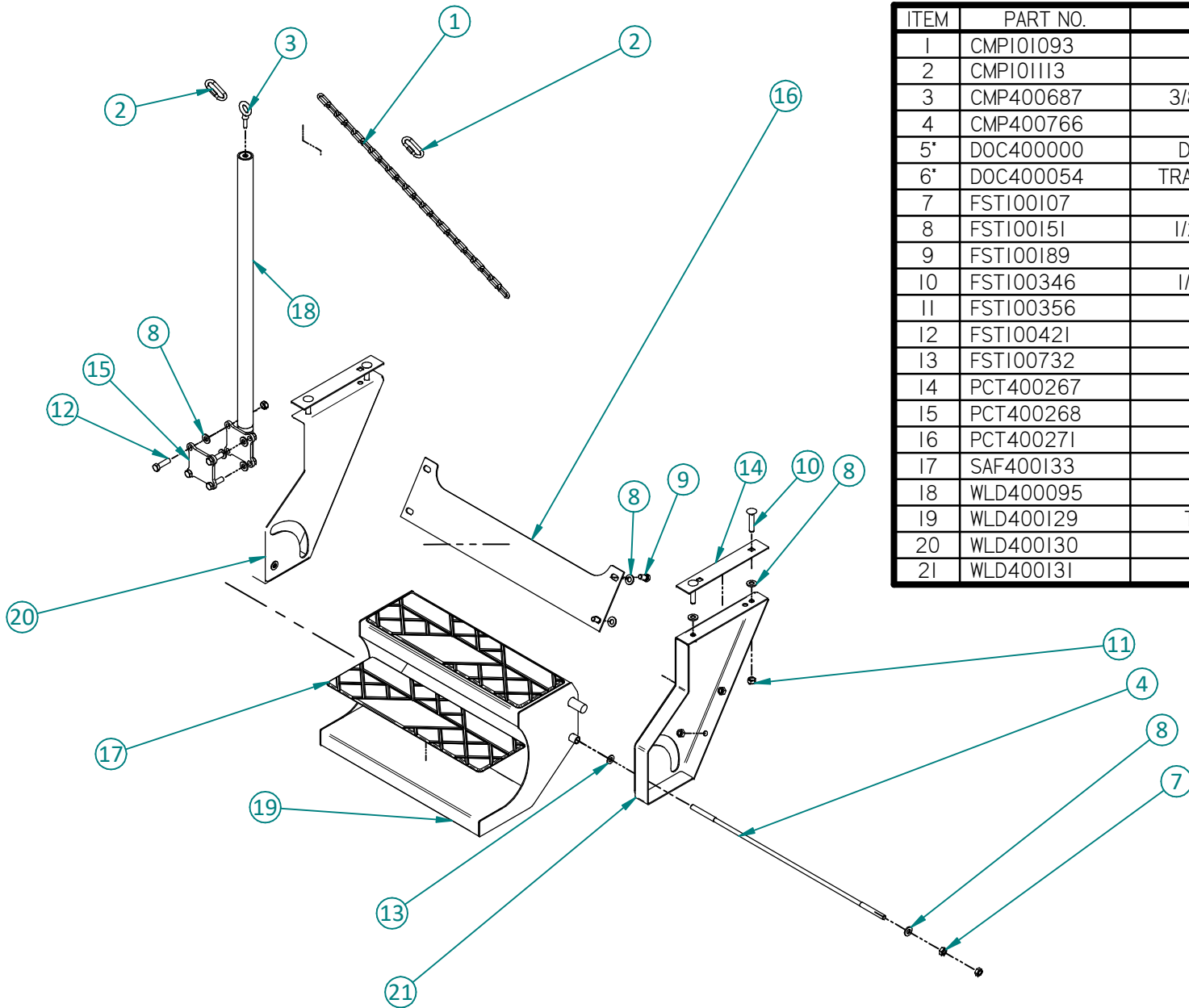


ITEM	PART NO.	DESCRIPTION	QTY
1	CMP101093	1/4" CHAIN	1
2	CMP101113	5/16" CHAIN CONNECTOR	2
3	CMP400687	3/8 X 1 1/4 MACHINED EYEBOLT	1
4	CMP400766	STEP ROD W/ THREADS	1
5*	DOC400000	DASH STEP DRILL TEMPLATE	1
6*	DOC400053	TRAILER STEPS (41" DECK) QUICK	1
7	FST100107	1/2" NUT	4
8	FST100151	1/2" FLAT WASHER HARDENED	14
9	FST100189	1/2" X 1" CAP SCREW	4
10	FST100346	1/2" X 2 1/2" CARRIAGE BOLT	4
11	FST100356	1/2" CRIMP NUT	12
12	FST100421	1/2" X 1 3/4" CAP SCREW	4
13	FST100732	1/2" NYLON FLAT WASHER	2
14	PCT400267	TOP PLATE	2
15	PCT400268	HANDLE PLATE	1
16	PCT400271	BRACE	1
17	SAF400133	TRAILER STEP DECAL	2
18	WLD400094	TRAILER STEP 16" (41" DECK)	1
19	WLD400095	HANDLE WLDT	1
20	WLD400096	STEP HANGER LH	1
21	WLD400097	STEP HANGER RH	1

2.6 / 4.6

TRAILER STEPS (34")

KIT400055



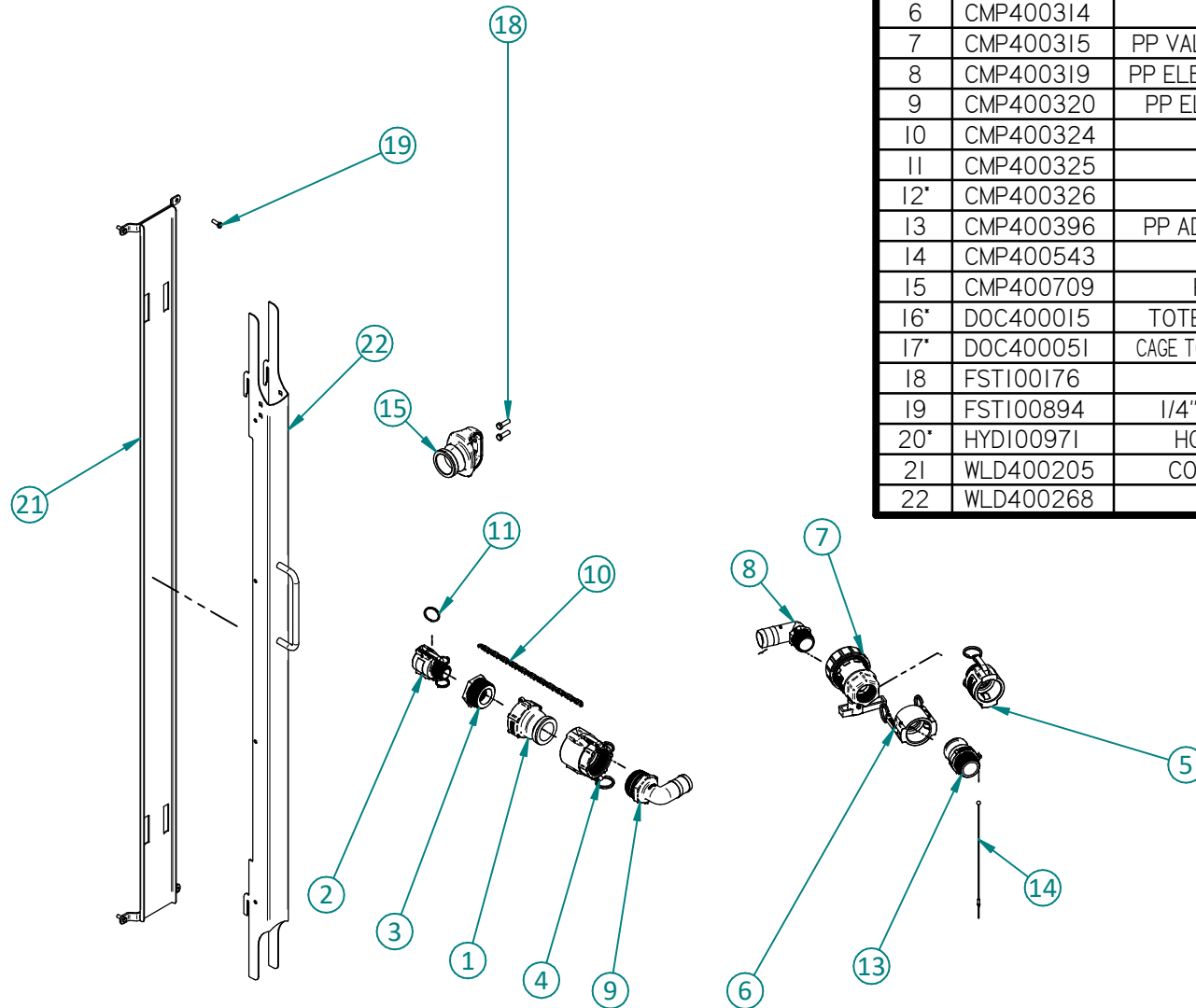
ITEM	PART NO.	DESCRIPTION	QTY
1	CMPI01093	1/4" CHAIN	1
2	CMPI01113	5/16" CHAIN CONNECTOR	2
3	CMP400687	3/8 X 1 1/4 MACHINED EYEBOLT	1
4	CMP400766	STEP ROD W/ THREADS	1
5*	DOC400000	DASH STEP DRILL TEMPLATE	1
6*	DOC400054	TRAILER STEPS (34" DECK) QUICK	1
7	FST100107	1/2" NUT	4
8	FST100151	1/2" FLAT WASHER HARDENED	14
9	FST100189	1/2" X 1" CAP SCREW	4
10	FST100346	1/2" X 2 1/2" CARRIAGE BOLT	4
11	FST100356	1/2" CRIMP NUT	12
12	FST100421	1/2" X 1 3/4" CAP SCREW	4
13	FST100732	1/2" NYLON FLAT WASHER	2
14	PCT400267	TOP PLATE	2
15	PCT400268	HANDLE PLATE	1
16	PCT400271	BRACE	1
17	SAF400133	TRAILER STEP DECAL	2
18	WLD400095	HANDLE WLDT	1
19	WLD400129	TRAILER STEP 13"(34" DECK)	1
20	WLD400130	STEP HANGER RH	1
21	WLD400131	STEP HANGER LH	1

2.6 / 4.6

CAGE TOTE TRANSFER HOSE

KIT400097

ITEM	PART NO.	DESCRIPTION	QTY
1	CMP400304	PP ADAPTER 2" FNPT X 2" MQDC	1
2	CMP400305	PP ADAPTER 1" MNPT X 1" FQDC	1
3	CMP400307	PP ADAPTER 2" MNPT X 1" FNPT	1
4	CMP400309	PP ADAPTER 2" FNPT X 2" FQDC	1
5	CMP400313	PP ADAPTER 1 1/4" MNPT X 1 1/2" FQDC	1
6	CMP400314	PP CAP 1 1/2" FQDC	1
7	CMP400315	PP VALVE BALL 1 1/4" FNPT X 1 1/4" FNPT	1
8	CMP400319	PP ELBOW 90 DEG 1 1/4" MNPT X 1 1/2" HB	1
9	CMP400320	PP ELBOW 90 DEG 2" MNPT X 1 1/2" HB	1
10	CMP400324	#4 STRAIGHT LINK CHAIN	6 IN
11	CMP400325	1 1/4" SPLIT RING	1
12*	CMP400326	GEAR CLAMP 1-1/2	3
13	CMP400396	PP ADAPTER 1 1/2" MNPT X 1 1/2" MQDC	1
14	CMP400543	11" QDC LANYARD	1
15	CMP400709	PP PLUG 2" MQDC W/ HANDLE	1
16*	DOC400015	TOTE HOSE ASSEMBLY INSTRUCTIONS	1
17*	DOC400051	CAGE TOTE TRANSFER HOSE QUICK START MANUAL	1
18	FST100176	5/16" X 1" CAP SCREW	2
19	FST100894	1/4" X 3/4" THREAD CUTTING SCREW	4
20*	HYD100971	HOSE EPDM SUCTION 1 1/2" GREY	288 IN
21	WLD400205	CONTAINMENT BRKT MOUNT WLDT	1
22	WLD400268	HOSE CONTAINMENT WLDT	1

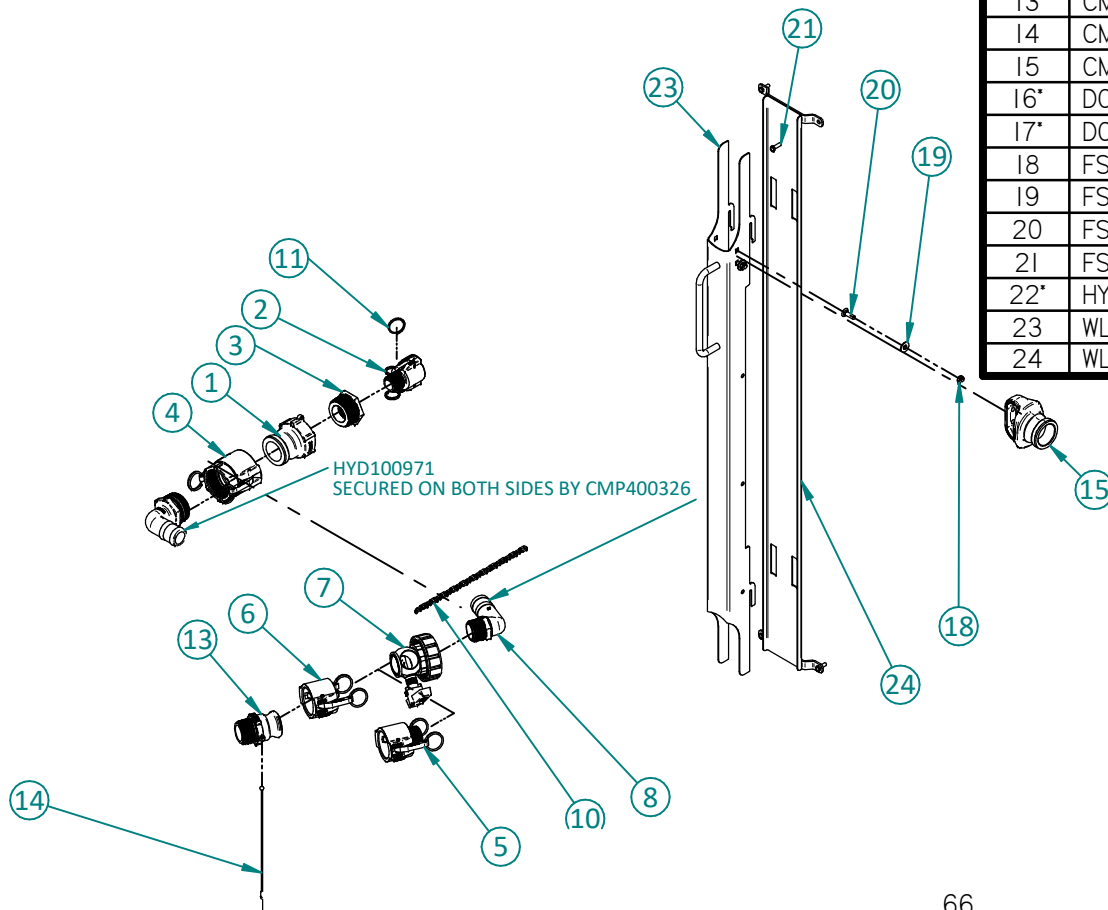


2.6 / 4.6

5' CAGE TOTE TRANSFER HOSE

KIT400149

ITEM	PART NO.	DESCRIPTION	QTY
1	CMP400304	PP ADAPTER 2" FNPT X 2" MQDC	1
2	CMP400305	PP ADAPTER 1" MNPT X 1" FQDC	1
3	CMP400307	PP ADAPTER 2" MNPT X 1" FNPT	1
4	CMP400309	PP ADAPTER 2" FNPT X 2" FQDC	1
5	CMP400313	PP ADAPTER 1 1/4" MNPT X 1 1/2" FQDC	1
6	CMP400314	PP CAP 1 1/2" FQDC	1
7	CMP400315	PP VALVE BALL 1 1/4" FNPT X 1 1/4" FNPT	1
8	CMP400319	PP ELBOW 90 DEG 1 1/4" MNPT X 1 1/2" HB	1
9	CMP400320	PP ELBOW 90 DEG 2" MNPT X 1 1/2" HB	1
10	CMP400324	#4 STRAIGHT LINK CHAIN	1
11	CMP400325	1 1/4" SPLIT RING	1
12'	CMP400326	GEAR CLAMP 1-1/2	3
13	CMP400396	PP ADAPTER 1 1/2" MNPT X 1 1/2" MQDC	1
14	CMP400543	11" QDC LANYARD	1
15	CMP400709	PP PLUG 2" MQDC W/ HANDLE	1
16'	DOC400015	TOTE HOSE ASSEMBLY INSTRUCTIONS	1
17'	DOC400051	CAGE TOTE TRANSFER HOSE QUICK START MANUAL	1
18	FST100173	5/16" LOCK NUT	2
19	FST100174	5/16" FLAT WASHER	2
20	FST100344	5/16" x 1" CARRIAGE BOLT	2
21	FST100894	1/4" x 3/4" THREAD CUTTING SCREW	4
22'	HYD100971	HOSE EPDM SUCTION 1 1/2" GREY	288 IN
23	WLD400337	5' HOSE CONTAINMENT WLDT	1
24	WLD400338	5' CONTAINMENT BRKT MOUNT WLDT	1

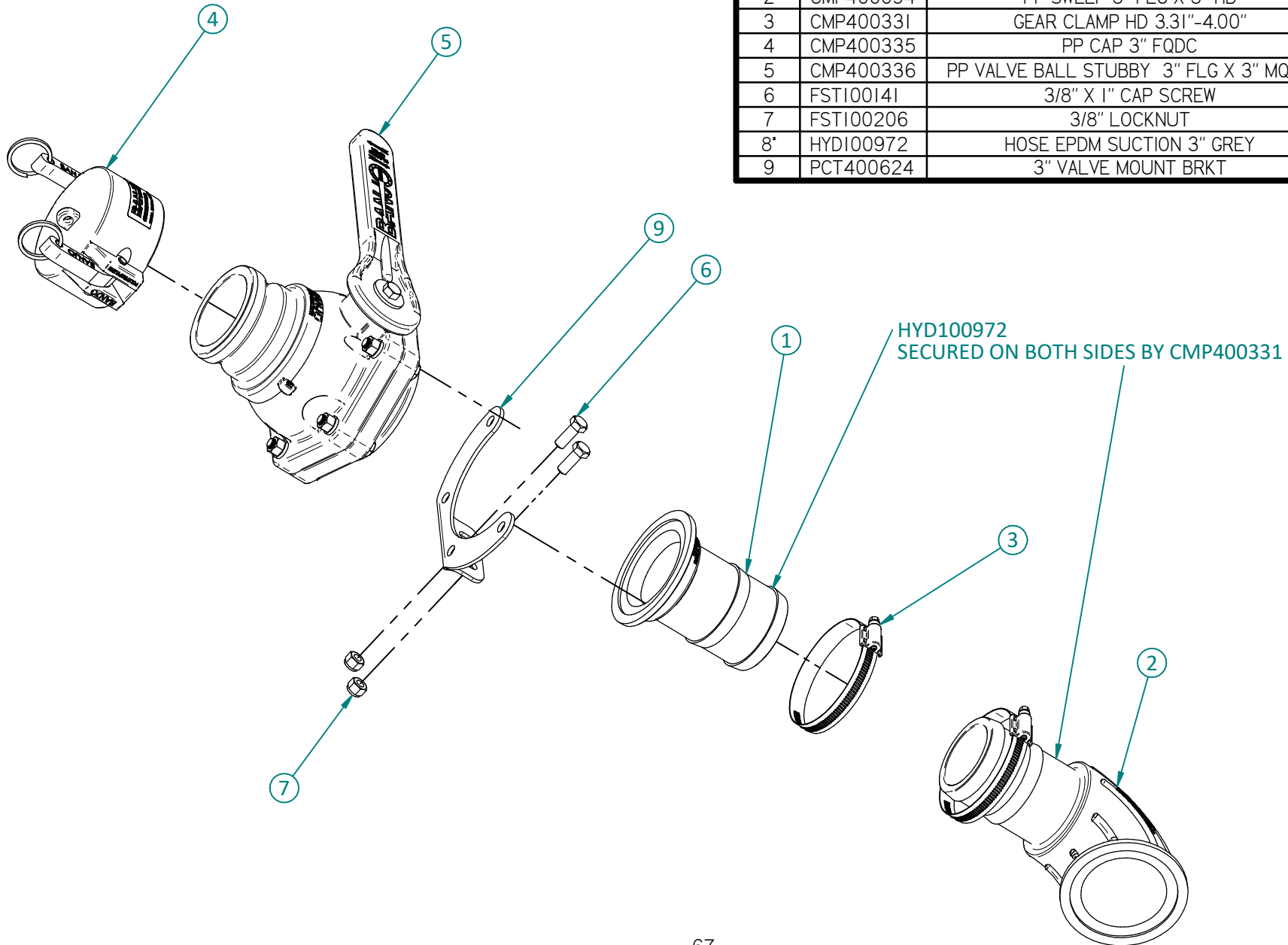


2.6 / 4.6

AUXILIARY REFILL KIT SIDE

KIT400096

ITEM	PART NO.	DESCRIPTION	QTY
1	CMP400008	PP ADAPTER 3" FLG X 3" HB	1
2	CMP400094	PP SWEEP 3" FLG X 3" HB	1
3	CMP400331	GEAR CLAMP HD 3.31"-4.00"	2
4	CMP400335	PP CAP 3" FQDC	1
5	CMP400336	PP VALVE BALL STUBBY 3" FLG X 3" MQDC	1
6	FST100141	3/8" X 1" CAP SCREW	2
7	FST100206	3/8" LOCKNUT	2
8	HYD100972	HOSE EPDM SUCTION 3" GREY	8 FT
9	PCT400624	3" VALVE MOUNT BRKT	1

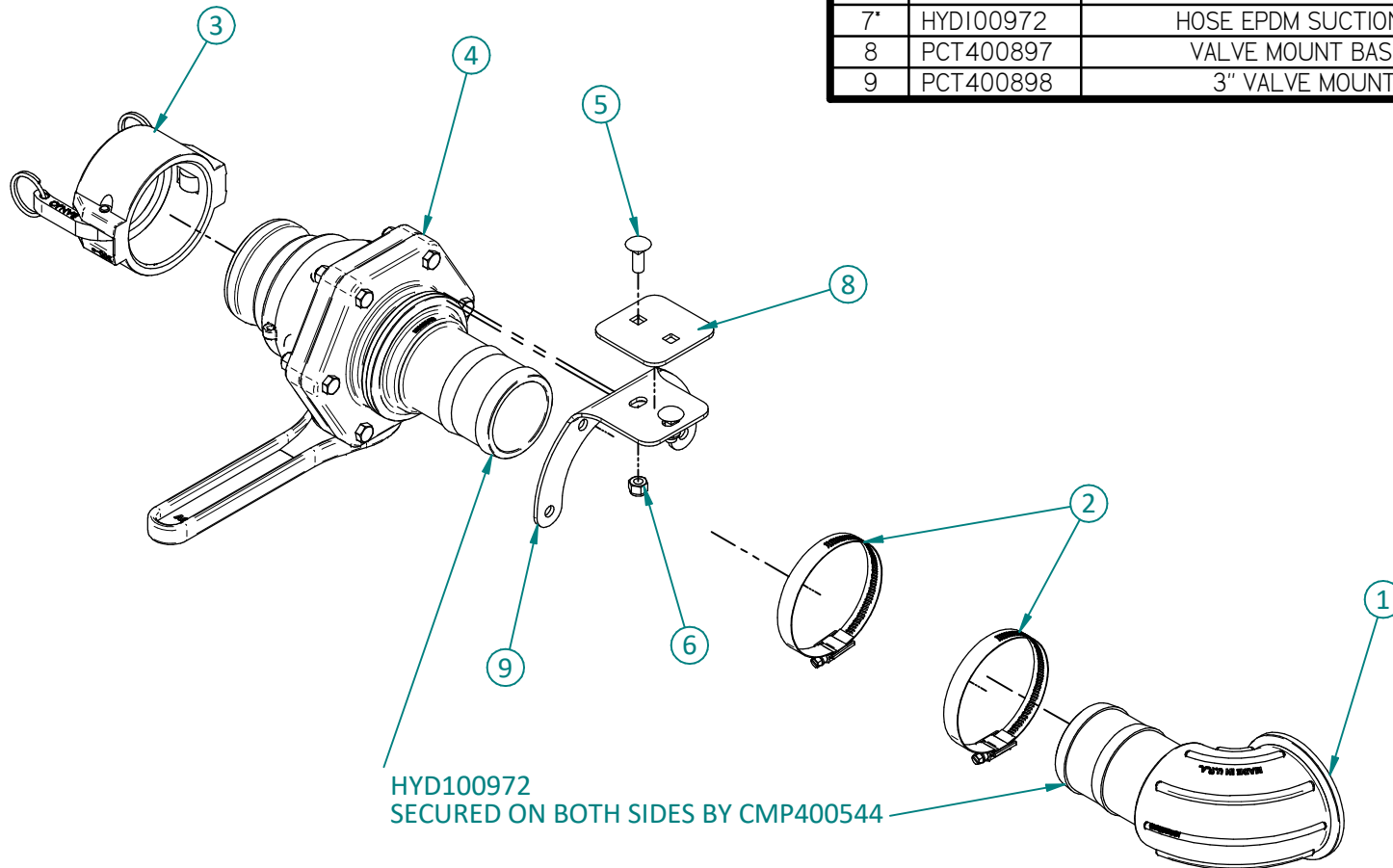


2.6 / 4.6

AUXILIARY REFILL KIT REAR

KIT400096/KIT400098

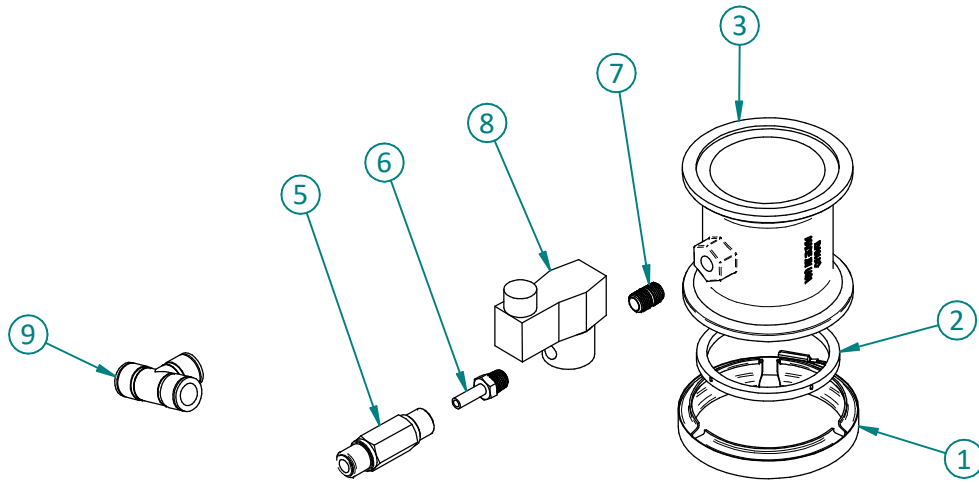
ITEM	PART NO.	DESCRIPTION	QTY
1	CMP400094	PP SWEEP 3" FLG X 3" HB	1
2*	CMP400331	GEAR CLAMP HD 3.31"-4.00"	2
3	CMP400335	PP CAP 3" FQDC	1
4	CMP400544	PP VALVE BALL STUBBY 3" HB X 3" MQDC	1
5	FST100199	3/8" x 1" CARRIAGE BOLT	2
6	FST100206	3/8" LOCKNUT	2
7*	HYD100972	HOSE EPDM SUCTION 3" GREY	1
8	PCT400897	VALVE MOUNT BASE PLATE	1
9	PCT400898	3" VALVE MOUNT BRKT	1



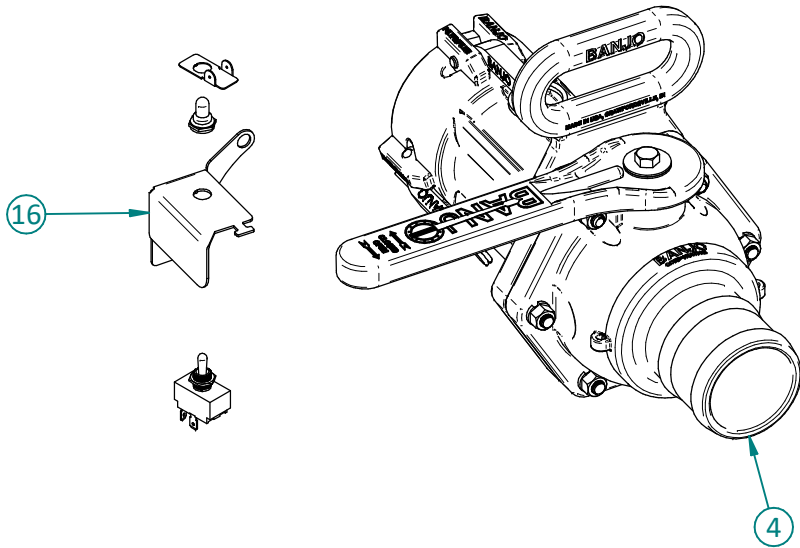
2.6 / 4.6

BOOM BLOWOUT KIT

KIT400094



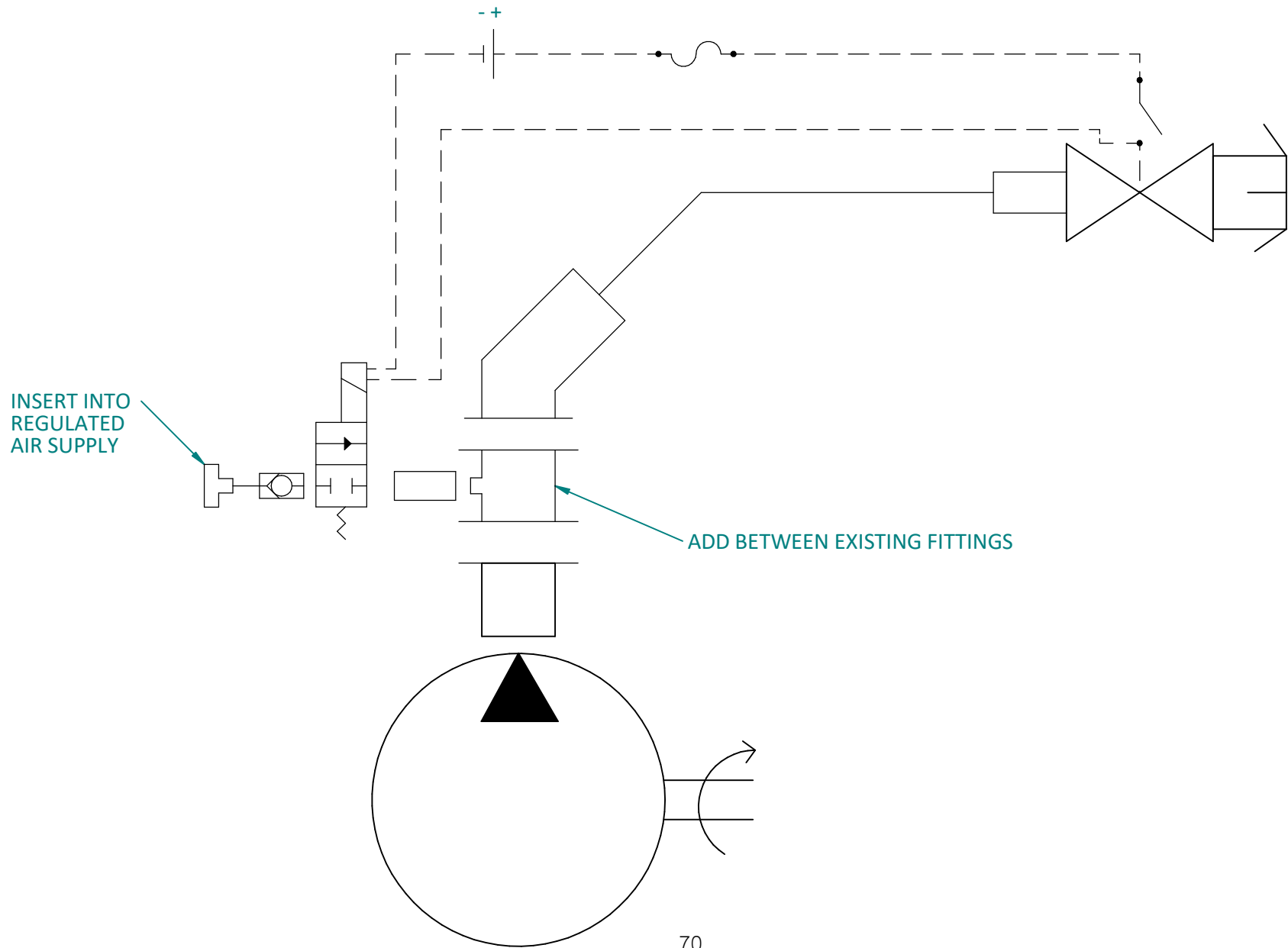
ITEM	PART NO.	DESCRIPTION	QTY
1	CMP400004	SS CLAMP 3" FLG	1
2	CMP400005	EPDM GASKET 3" FLG	1
3	CMP400093	PP ADAPTER 3" FLG X 3" FLG	1
4	CMP400481	BLOWOUT VALVE	1
5	CMP400557	PL VALVE CHECK 3/8" FPTC X 3/8" FPTC	1
6	CMP400558	PL ADAPTER 1/4" MNPT X 3/8" MPTC	1
7	CMP400559	SS ADAPTER 1/4" MNPT X 1/4" MNPT	1
8	CMP400561	1/4 SS SOLENOID VALVE N/C 12VDC	1
9	CMP400562	PL TEE 1/2" FPTC X 3/8" FPTC	1
10*	CMP400664	HOSE SLEEVE 4.40" ID	240 IN
11*	DOC400062	BOOM BLOWOUT KIT QUICK START GUIDE	1
12*	ELC100885	BOOM BLOWOUT HARNESS	1
13*	FST100210	CABLE TIE 7" 50LB BLACK	3
14*	FST100214	CABLE TIE 14" 120LB BLACK	8
15*	HYD100982	3/8 AIR BRAKE HOSE	48 IN
16	PCT400619	SWITCH MOUNT BRKT	1



2.6 / 4.6

BOOM BLOWOUT KIT

KIT400094

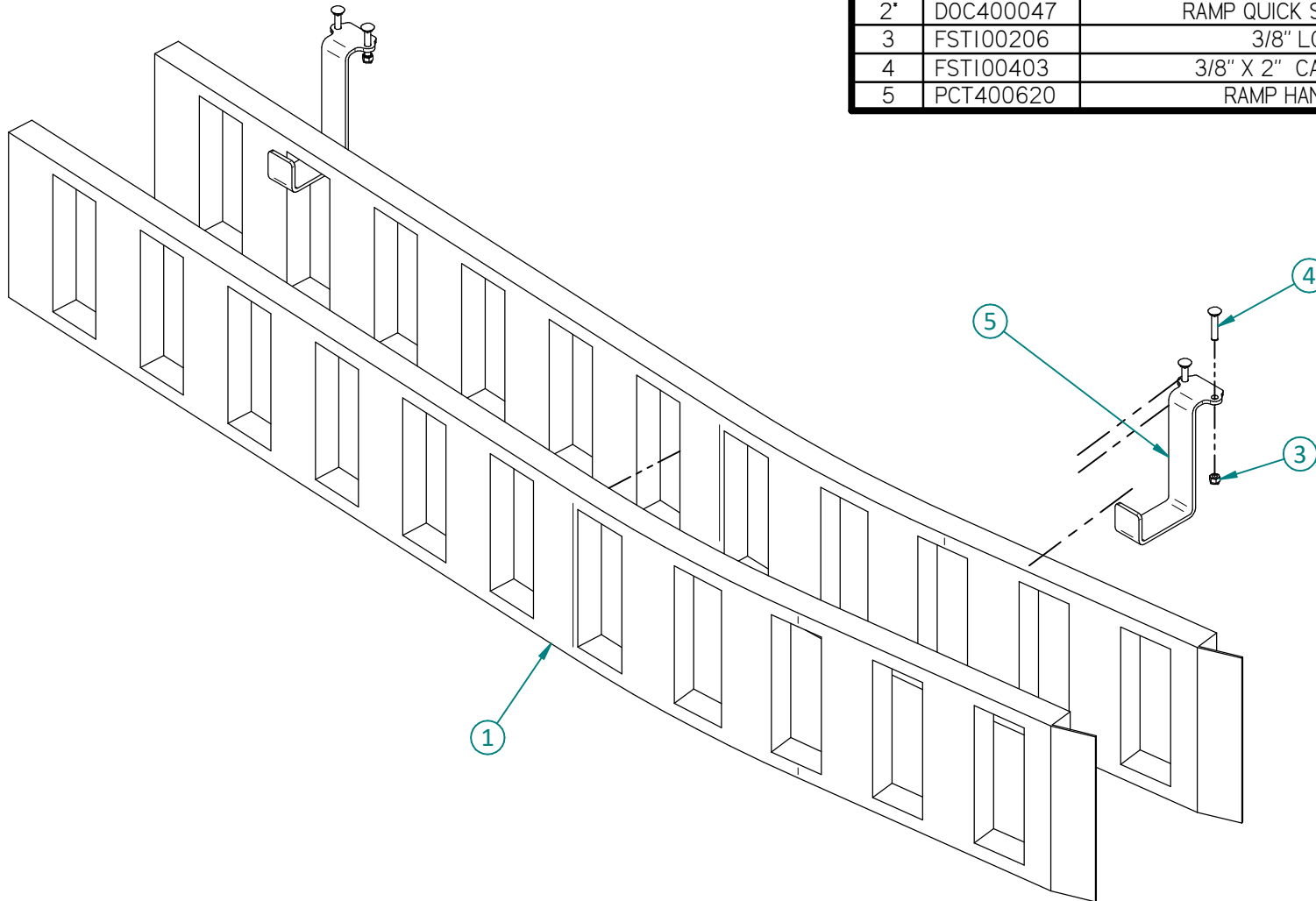


2.6 / 4.6

RAMP KIT

KIT400089

ITEM	PART NO.	DESCRIPTION	QTY
1	CMP400519	90 X 12 IN RAMP SET	2
2*	DOC400047	RAMP QUICK START MANUAL	1
3	FST100206	3/8" LOCKNUT	4
4	FST100403	3/8" X 2" CARRIAGE BOLT	4
5	PCT400620	RAMP HANGER BRKT	2

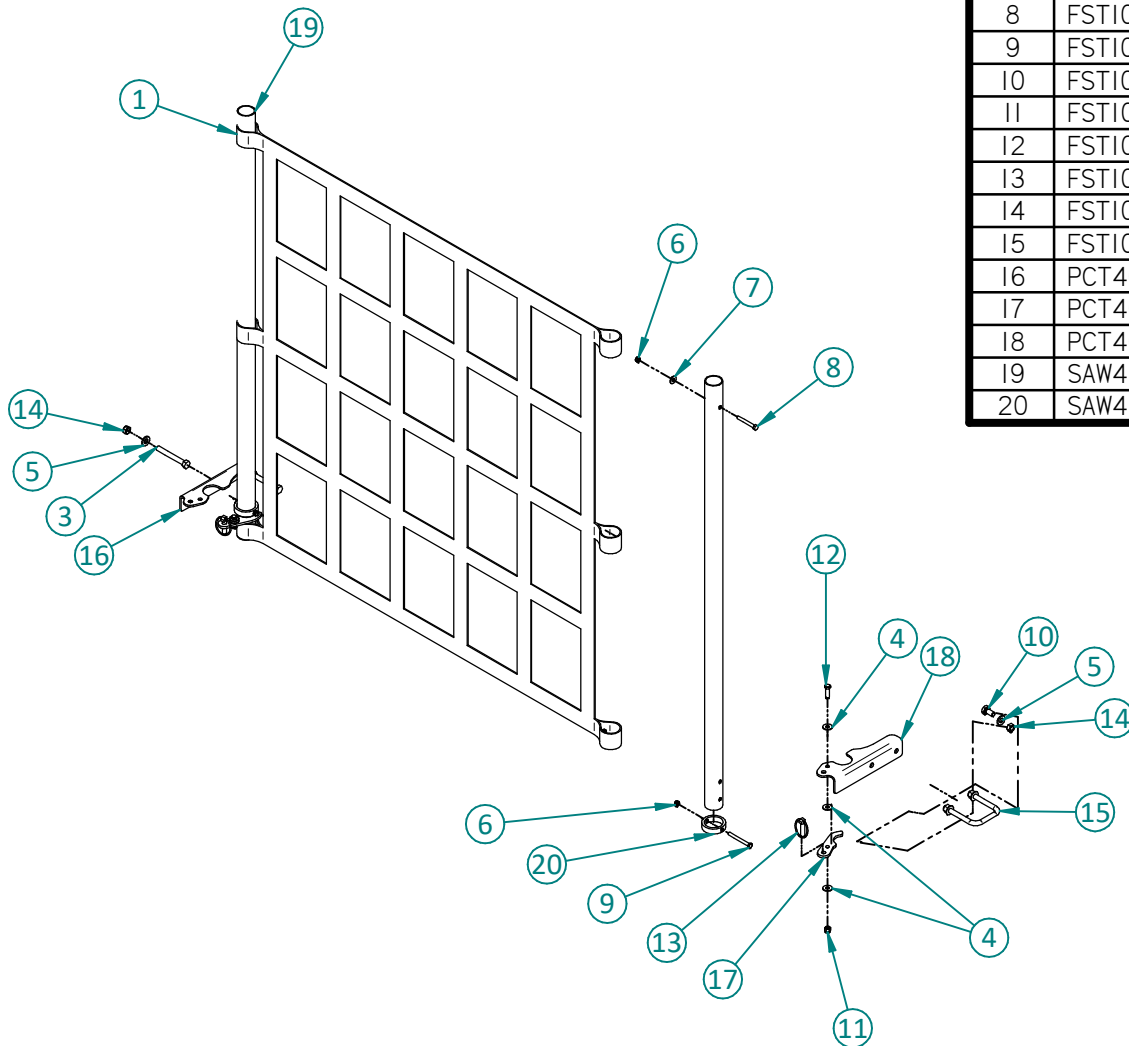


2.6 /4.6

PLATFORM CARGO NET KIT

KIT400083

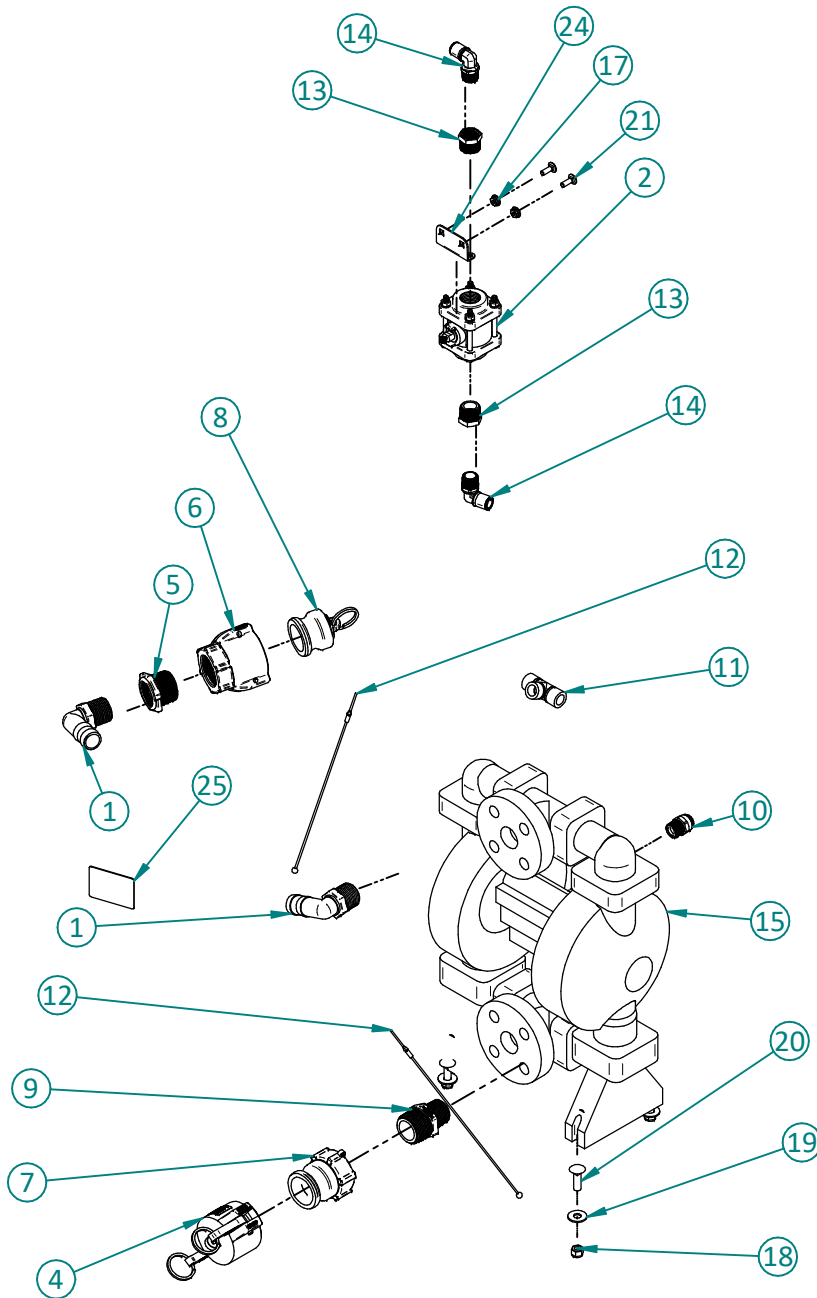
ITEM	PART NO.	DESCRIPTION	QTY
1	CMP400484	CARGO NET	2
2	DOC400059	PLATFORM CARGO NET KIT QUICK START GUIDE	1
3	FST100103	1/2" X 4" CAP SCREW	4
4	FST100150	3/8" FLAT WASHER	12
5	FST100151	1/2" FLAT WASHER HARDENED	16
6	FST100173	5/16" LOCK NUT	12
7	FST100174	5/16" FLAT WASHER	8
8	FST100179	5/16" X 2 1/2" CAP SCREW	8
9	FST100180	5/16" X 3" CAP SCREW	4
10	FST100189	1/2" X 1" CAP SCREW	4
11	FST100206	3/8" LOCKNUT	4
12	FST100241	3/8" X 1 1/4" CAP SCREW	4
13	FST100264	7/16" LYNCH PIN	4
14	FST100356	1/2" CRIMP NUT	8
15	FST100832	1/2" X 3" X 3" U-BOLT	2
16	PCT400651	BOTTOM CONTAINMENT BRKT X	2
17	PCT400654	BOTTOM CONTAINMENT LATCH	4
18	PCT400657	BOTTOM CONTAINMENT BRKT Y	2
19	SAW400426	SHAFT	4
20	SAW400427	STOP TUBE	4



2.6 / 4.6

AIR DIAPHRAGM PUMP KIT, 1"

KIT400033

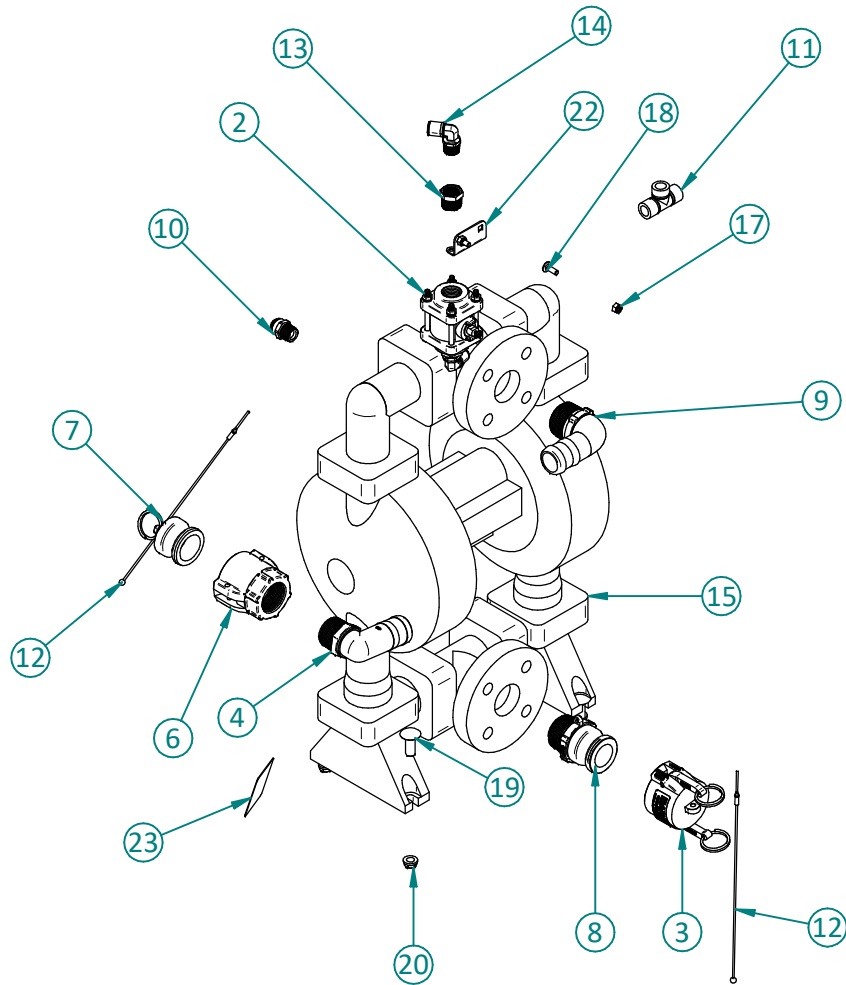


ITEM	PART NO.	DESCRIPTION	QTY
1	CMP400037	PP ELBOW 90 DEG 1" MNPT X 1" HB	2
2	CMP400138	PP VALVE BALL 3/4" FNPT X 3/4"	1
3*	CMP400225	-16 GEAR CLAMP	2
4	CMP400314	PP CAP 1 1/2" FQDC	1
5	CMP400332	PP ADAPTER 1 1/4" MNPT X 1" FNPT	1
6	CMP400334	PP ADAPTER 1 1/4" FNPT X 1 1/2"	1
7	CMP400349	PP ADAPTER 1 1/4" FNPT X 1 1/2"	1
8	CMP400350	PP PLUG 1 1/2" MQDC	1
9	CMP400501	PP ADAPTER 1" MNPT X 1 1/4" MNPT	1
10	CMP400512	PL ADAPTER 1/2" MNPT X 1/2" FPTC	1
11	CMP400513	PL TEE 1/2" FPTC X 1/2" FPTC	1
12	CMP400543	11" QDC LANYARD	2
13	CMP400574	BR ADAPTER 3/4" MNPT X 1/2" FNPT	2
14	CMP400646	BR ADAPTER 90 DEG 1/2" MNPT X	2
15	CMP400704	1" AIR DIAPHRAGM PUMP	1
16*	DOC400070	AIR DIAPHRAGM PUMP KIT 1" QUICK	1
17	FST100129	1/4" FLANGE NUT 316-SS	2
18	FST100909	3/8" SS LOCKNUT	4
19	FST100910	3/8" SS FLAT WASHER	4
20	FST100911	3/8" x 1 1/4" SS CARRIAGE BOLT	4
21	FST100924	1/4" X 3/4" CARRIAGE BOLT SS	2
22*	HYD100800	1" INDUSTRIAL WATER HOSE	1
23*	HYD100978	1/2 AIR BRAKE HOSE	1
24	PCT400034	VALVE MOUNT BRKT	1
25	SAF400057	CHEM PUMP DECAL	1

2.6 / 4.6

AIR DIAPHRAGM PUMP KIT 1 1/2"

KIT400086

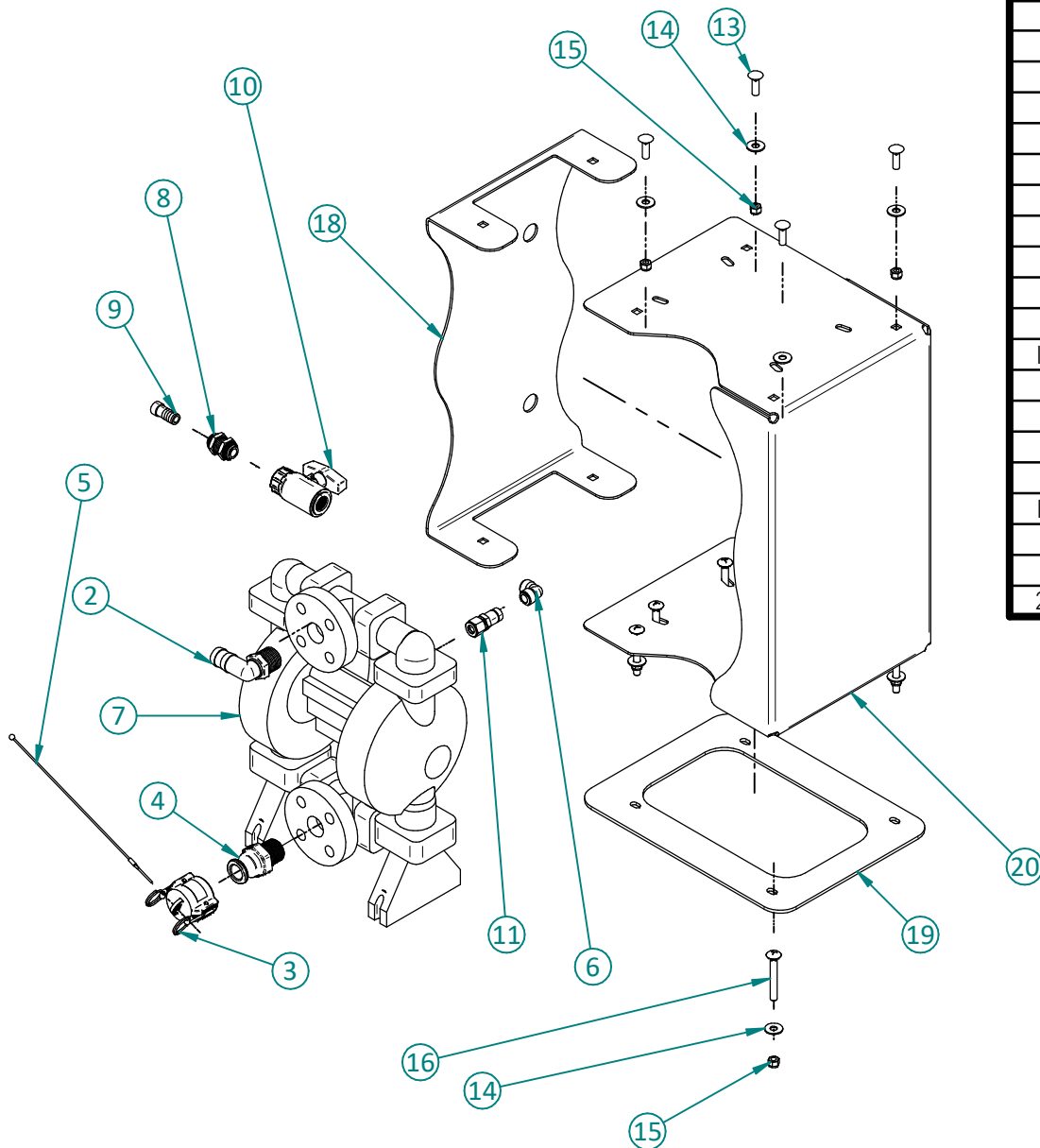


ITEM	PART NO.	DESCRIPTION	QTY
1*	CMP400105	1 1/2" INDUSTRIAL WATER HOSE	66 IN
2	CMP400138	PP VALVE BALL 3/4" FNPT X 3/4" FNPT	1
3	CMP400314	PP CAP 1 1/2" FQDC	1
4	CMP400319	PP ELBOW 90 DEG 1 1/4" MNPT X 1 1/2" HB	1
5*	CMP400326	GEAR CLAMP 1-1/2	2
6	CMP400334	PP ADAPTER 1 1/4" FNPT X 1 1/2" FQDC	1
7	CMP400350	PP PLUG 1 1/2" MQDC	1
8	CMP400396	PP ADAPTER 1 1/2" MNPT X 1 1/2" MQDC	1
9	CMP400474	PP ELBOW 90 DEG 1 1/2" MNPT X 1 1/2" HB	1
10	CMP400512	PL ADAPTER 1/2" MNPT X 1/2" FPTC	1
11	CMP400513	PL TEE 1/2" FPTC X 1/2" FPTC	1
12	CMP400543	11" QDC LANYARD	2
13	CMP400574	BR ADAPTER 3/4" MNPT X 1/2" FNPT	2
14	CMP400646	BR ADAPTER 90 DEG 1/2" MNPT X 1/2" FPTC	2
15	CMP400686	1 1/2" AIR DIAPHRAGM PUMP RD-P-40PPTT	1
16*	DOC400071	AIR DIAPHRAGM PUMP KIT 1 1/2" QUICK START GUIDE	1
17	FST100135	1/4" LOCK NUT	2
18	FST100233	1/4" X 3/4" CARRIAGE BOLT	2
19	FST100235	1/2" X 1 1/4" CARRIAGE BOLT	4
20	FST100936	1/2" SERRATED FLANGE NUT	4
21*	HYDI00978	1/2 AIR BRAKE HOSE	72 IN
22	PCT400034	VALVE MOUNT BRKT	1
23	SAF400057	CHEM PUMP DECAL	1

2.6 / 4.6

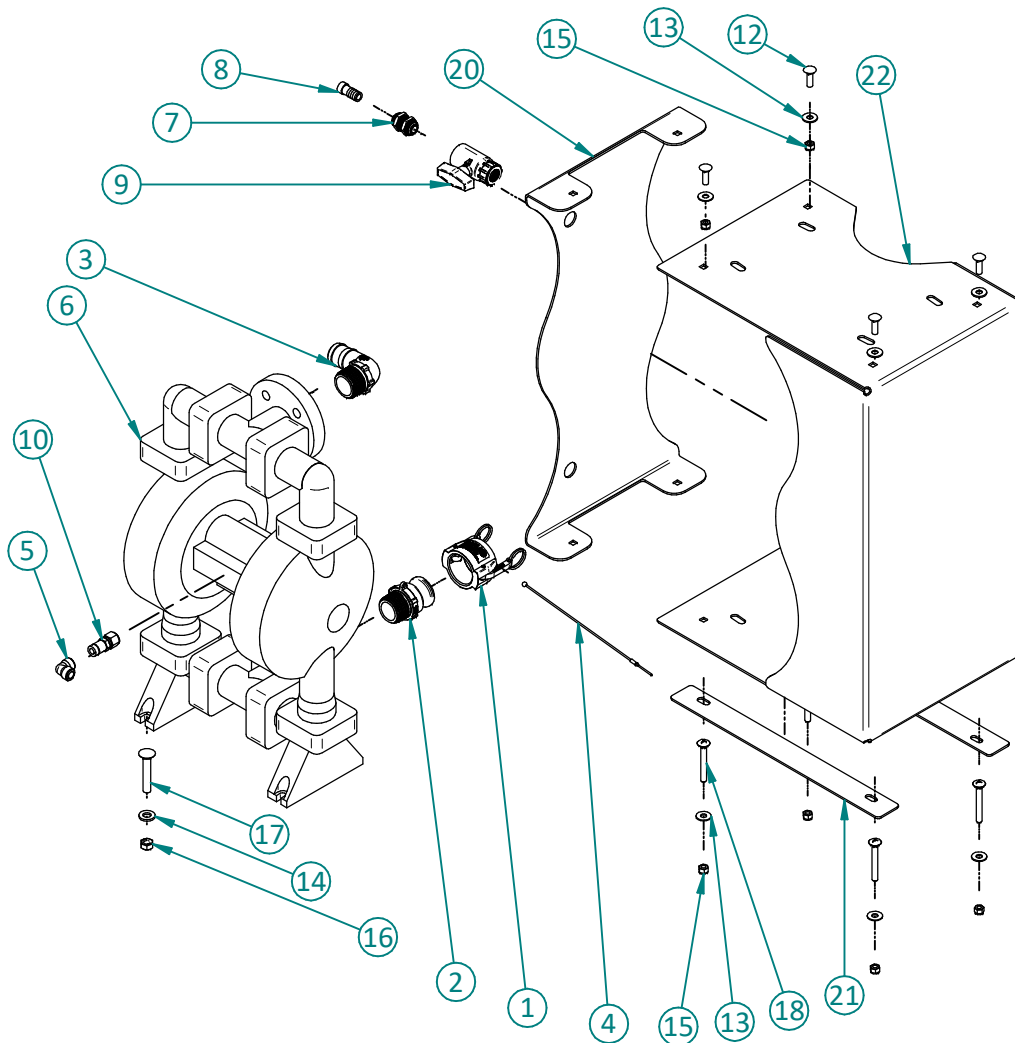
1" DIAPHRAGM PUMP STACKING KIT

KIT400128



ITEM	PART NO.	DESCRIPTION	QTY
1*	CMP100121	PHIBER LOGO DECAL	1
2	CMP400037	PP ELBOW 90 DEG 1" MNPT X 1" HB	1
3	CMP400206	PP CAP 1" FQDC	1
4	CMP400216	PP ADAPTER 1" MNPT X 1" MQDC	1
5	CMP400543	11" QDC LANYARD	1
6	CMP400597	PL ELBOW 90 DEG 1/2" FPTC X 1/2"	1
7	CMP400704	1" AIR DIAPHRAGM PUMP	1
8	CMP400745	1/2" BULKHEAD UNION	1
9	CMP400746	1/2" SPEEDFIT PLUG	1
10	CMP400747	1/2" VALVE FOR AIR/WATER	1
11	CMP400748	1/2" MALE NPT STEM ADAPTER	1
12*	DOC400079	1" STACKING PUMP QUICK START	1
13	FST100146	3/8" x 1 1/4" CARRIAGE BOLT	4
14	FST100150	3/8" FLAT WASHER	12
15	FST100206	3/8" LOCKNUT	12
16	FST100896	3/8 X 3 CARRIAGE BOLT	8
17*	HYD100978	1/2 AIR BRAKE HOSE	24 IN
18	PCT400910	COVER BRKT FOR 1" DIAPHRAGM	1
19	PCT400918	BOTTOM PLATE 1" PUMP	1
20	WLD400447	BRACKET WLDT 1" STACKING	1

2.6 / 4.6 1-1/2" DIAPHRAGM PUMP STACKING KIT KIT400129



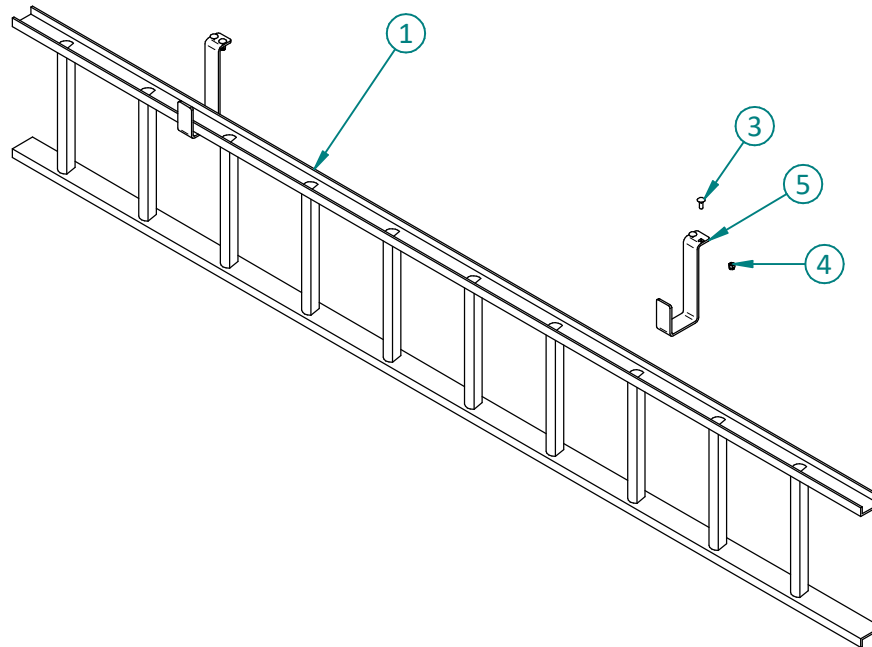
ITEM	PART NO.	DESCRIPTION	QTY
1	CMP400314	PP CAP 1 1/2" FQDC	1
2	CMP400396	PP ADAPTER 1 1/2" MNPT X 1 1/2"	1
3	CMP400474	PP ELBOW 90 DEG 1 1/2" MNPT X 1	1
4	CMP400543	1 1" QDC LANYARD	1
5	CMP400597	PL ELBOW 90 DEG 1/2" FPTC X 1/2"	1
6	CMP400686	1 1/2" AIR DIAPHRAGM PUMP	1
7	CMP400745	1/2" BULKHEAD UNION	1
8	CMP400746	1/2" SPEEDFIT PLUG	1
9	CMP400747	1/2" VALVE FOR AIR/WATER	1
10	CMP400748	1/2" MALE NPT STEM ADAPTER	1
11	DOC400080	1-1/2" STACKING PUMP QUICK START	1
12	FST100146	3/8" x 1 1/4" CARRIAGE BOLT	4
13	FST100150	3/8" FLAT WASHER	8
14	FST100151	1/2" FLAT WASHER HARDENED	4
15	FST100206	3/8" LOCKNUT	8
16	FST100356	1/2" CRIMP NUT	4
17	FST100389	1/2" X 3" CARRIAGE BOLT	4
18	FST100896	3/8 X 3 CARRIAGE BOLT	4
19	HYD100978	1/2 AIR BRAKE HOSE	24 IN
20	PCT400912	COVER BRKT FOR 1-1/2" DIAPHRAGM	1
21	PCT401480	DECK BACKING PLATE	2
22	WLD400448	BRACKET WLDT 1-1/2" STACKING	1

4.6

10' LADDER KIT

KIT400058

ITEM	PART NO.	DESCRIPTION	QTY
1	CMP400388	10' LADDER	1
2*	DOC400046	10' LADDER QUICK START MANUAL	1
3	FST100199	3/8" x 1" CARRIAGE BOLT	4
4	FST100206	3/8" LOCKNUT	4
5	PCT400401	LADDER HANGER BRKT	2

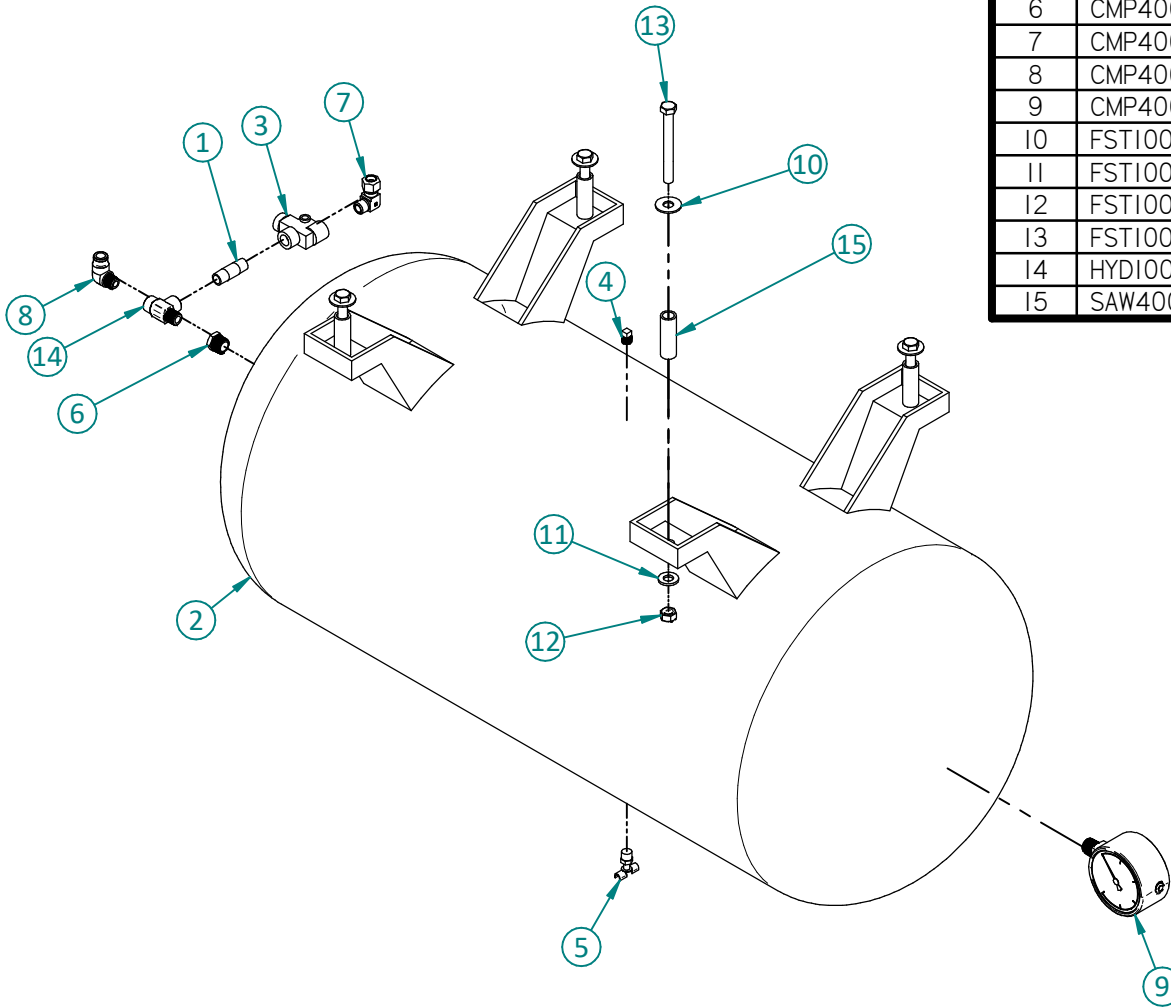


4.6

60 GAL AIR STORAGE KIT

KIT400059

ITEM	PART NO.	DESCRIPTION	QTY
1	CMP400155	BR ADAPTER 2" LONG 3/8" MNPT X 3/8" MNPT	1
2	CMP400386	60 GALLON AIR TANK	1
3	CMP400387	3/8" PRESSURE PROTECTION VALVE 70 PSI	1
4	CMP400440	BR PLUG 1/4" MNPT	1
5	CMP400442	1/4 MPT DRAIN COCK	1
6	CMP400443	BR ADAPTER 1/2" MNPT X 3/8" FNPT	1
7	CMP400511	BR ELBOW 90 DEG 3/8" MNPT X 1/2" FPTC DOT	1
8	CMP400619	BR ELBOW 90 DEG 3/8" MNPT X 1/2" FPTC	1
9	CMP400670	SS PRESSURE GAUGE, 0-200 PSI, 1/2" MNPT BOTTOM MOUNT	1
10	FST100106	1/2" FLAT WASHER	4
11	FST100151	1/2" FLAT WASHER HARDENED	4
12	FST100356	1/2" CRIMP NUT	4
13	FST100407	1/2" X 4 1/2" CAP SCREW	4
14	HYD100164	ST TEE 06 MNPT X 06 FNPT	1
15	SAW400540	SPACER TUBE	4

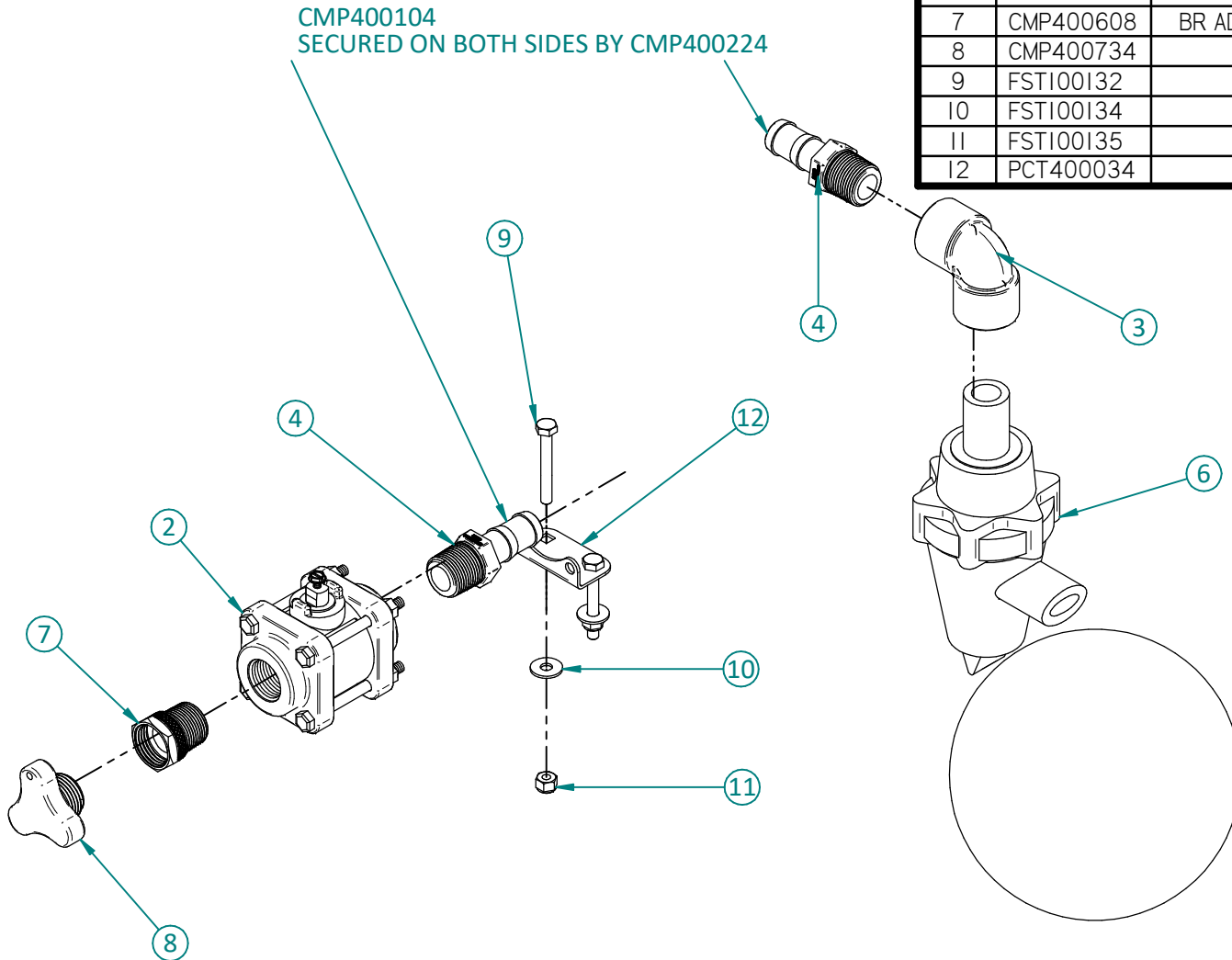


2.6 / 4.6

3/4" GARDEN HOSE TANK REFILL KIT

KIT400107

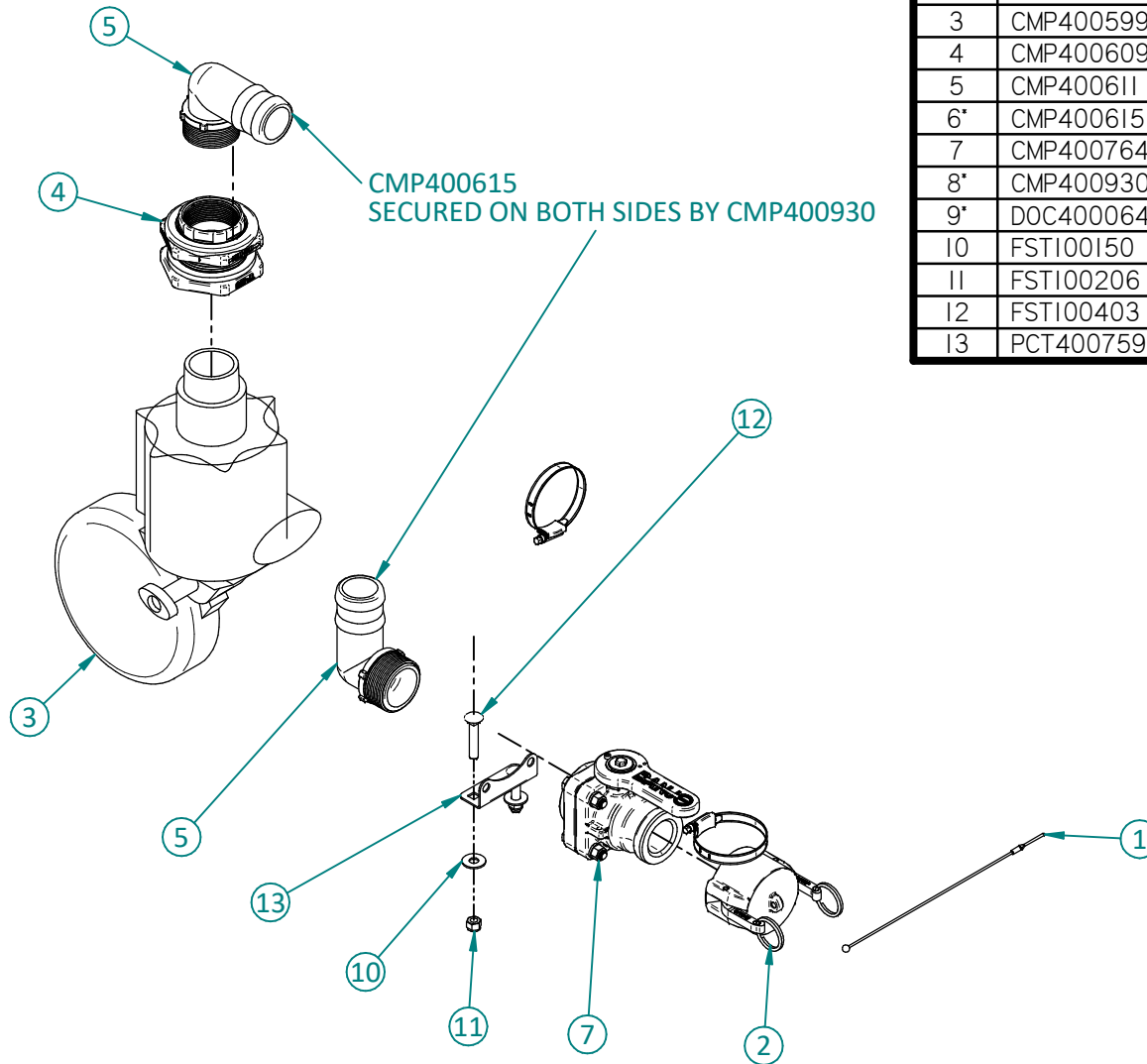
ITEM	PART NO.	DESCRIPTION	QTY
1*	CMP400104	3/4" INDUSTRIAL WATER HOSE	154 IN
2	CMP400138	PP VALVE BALL 3/4" FNPT X 3/4" FNPT	1
3	CMP400142	PP ELBOW 90 DEG 3/4" FNPT X 3/4" FNPT	1
4	CMP400143	PP ADAPTER 3/4" MNPT X 3/4" HB	2
5*	CMP400224	-12 GEAR CLAMP	2
6	CMP400598	PP VALVE FLOAT 3/4" MPT	1
7	CMP400608	BR ADAPTER 3/4" GHT SWIVEL X 3/4" MNPT	1
8	CMP400734	PL PLUG LOBED 3/4" GHT	1
9	FST100132	1/4" X 2" BOLT	2
10	FST100134	1/4" FLAT WASHER	2
11	FST100135	1/4" LOCK NUT	2
12	PCT400034	VALVE MOUNT BRKT	1



2.6 / 4.6

2" TANK REFILL KIT

KIT400108



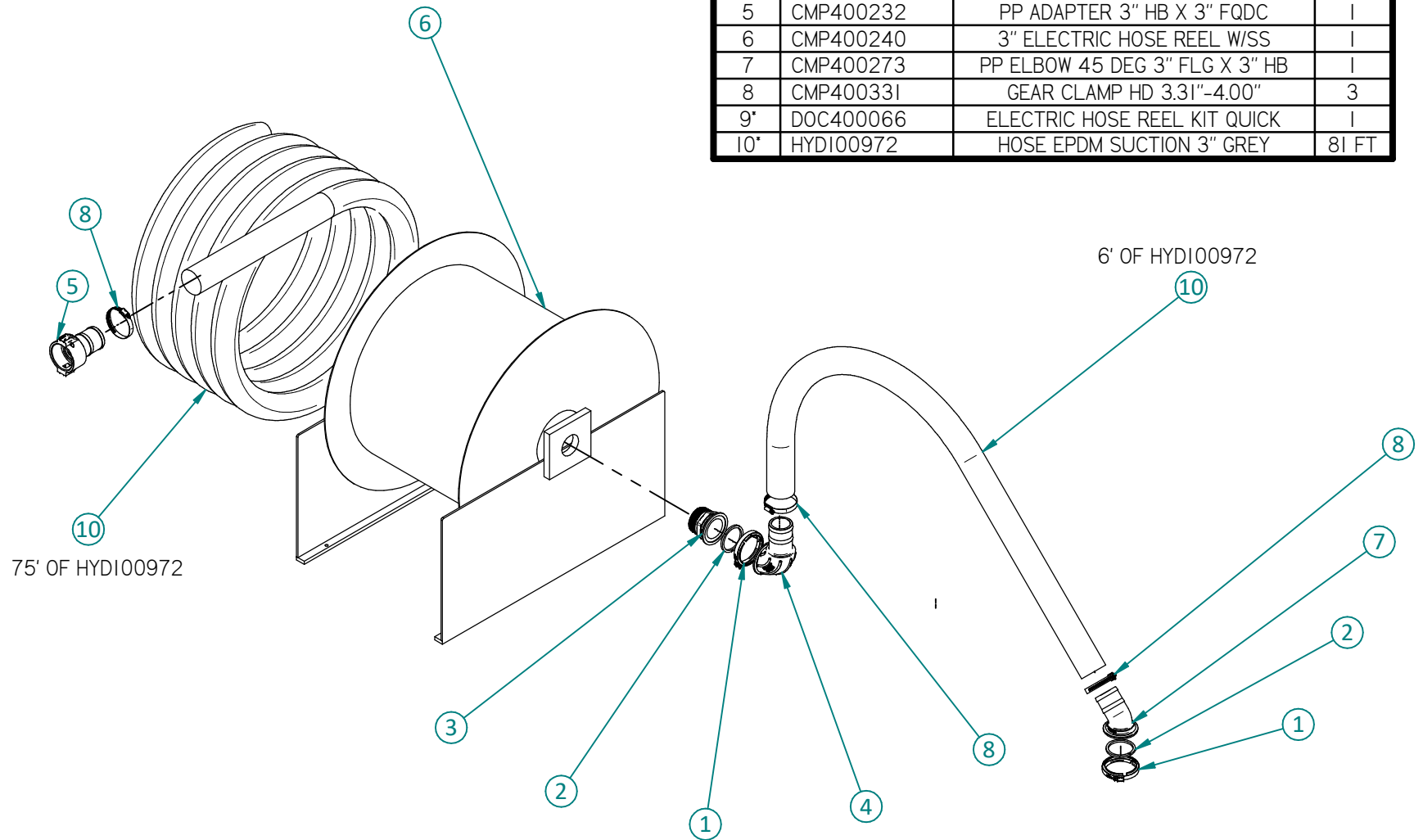
ITEM	PART NO.	DESCRIPTION	QTY
1	CMP400543	11" QDC LANYARD	1
2	CMP400569	PP CAP 2" FQDC	1
3	CMP400599	PP VALVE FLOAT 2" MPT	1
4	CMP400609	PP BULKHEAD 2" FNPT X 2" FNPT	1
5	CMP400611	PP ELBOW 90 DEG 2" MNPT X 2" HB	2
6*	CMP400615	HOSE 2" WATER DISCHARGE	154 IN
7	CMP400764	PP VALVE BALL 2" MQDC X 2" FNPT	1
8*	CMP400930	GEAR CLAMP HD 2.25"-2.75"	2
9*	DOC400064	2" TANK REFILL KIT QUICK START GUIDE	1
10	FST100150	3/8" FLAT WASHER	2
11	FST100206	3/8" LOCKNUT	2
12	FST100403	3/8" X 2" CARRIAGE BOLT	2
13	PCT400759	VALVE TOP CONN BRKT	1

2.6 / 4.6

ELECTRIC HOSE REEL KIT 3"

KIT400147

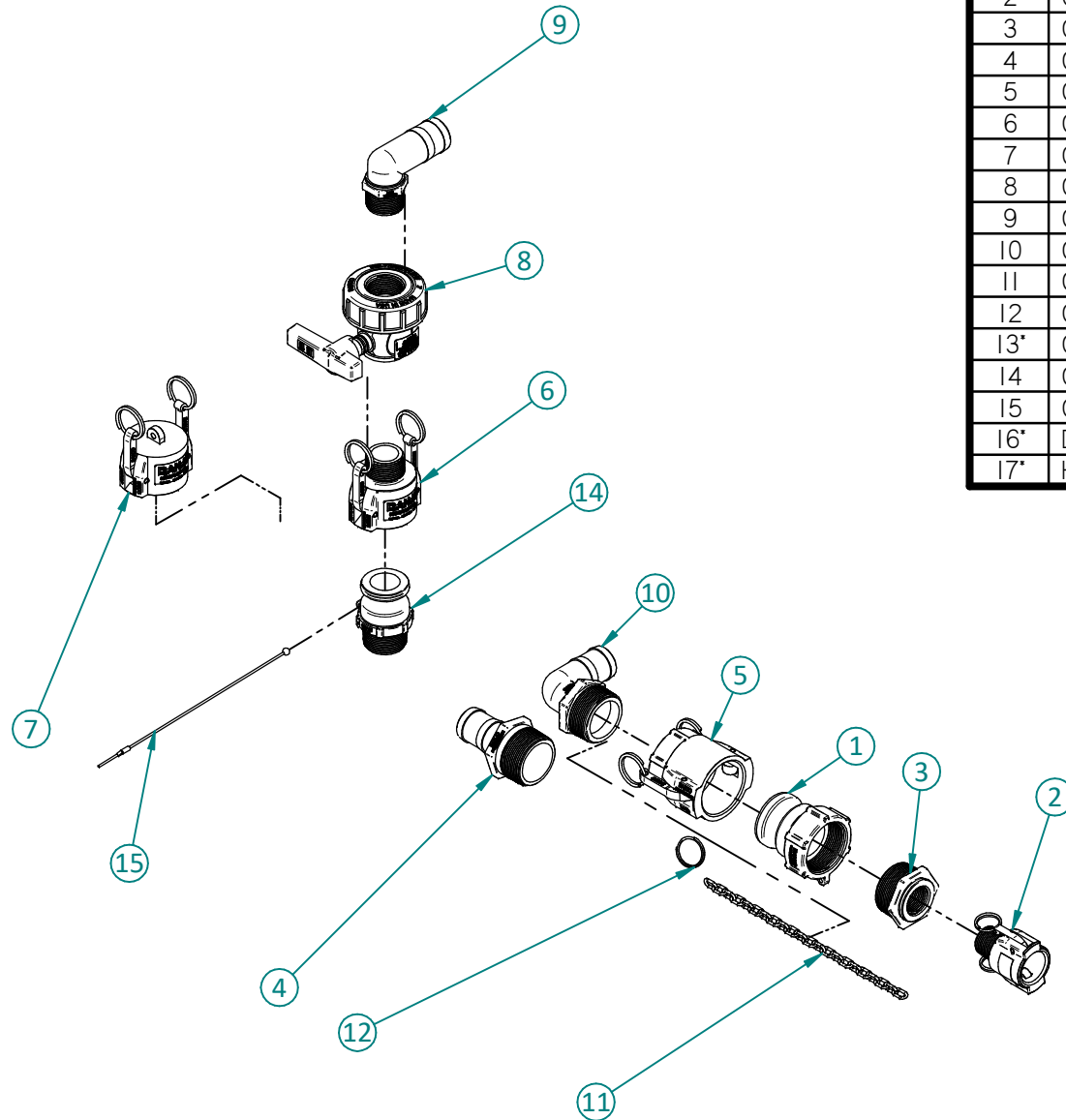
ITEM	PART NO.	DESCRIPTION	QTY
1	CMP400004	SS CLAMP 3" FLG	2
2	CMP400005	EPDM GASKET 3" FLG	2
3	CMP400032	PP ADAPTER 3" FLG X 3" MNPT	1
4	CMP400094	PP SWEEP 3" FLG X 3" HB	1
5	CMP400232	PP ADAPTER 3" HB X 3" FQDC	1
6	CMP400240	3" ELECTRIC HOSE REEL W/SS	1
7	CMP400273	PP ELBOW 45 DEG 3" FLG X 3" HB	1
8	CMP400331	GEAR CLAMP HD 3.31"-4.00"	3
9*	DOC400066	ELECTRIC HOSE REEL KIT QUICK	1
10*	HYDI00972	HOSE EPDM SUCTION 3" GREY	81 FT



2.6 / 4.6

TOTE TRANSFER HOSE 1 1/2" X 10'

KIT400035



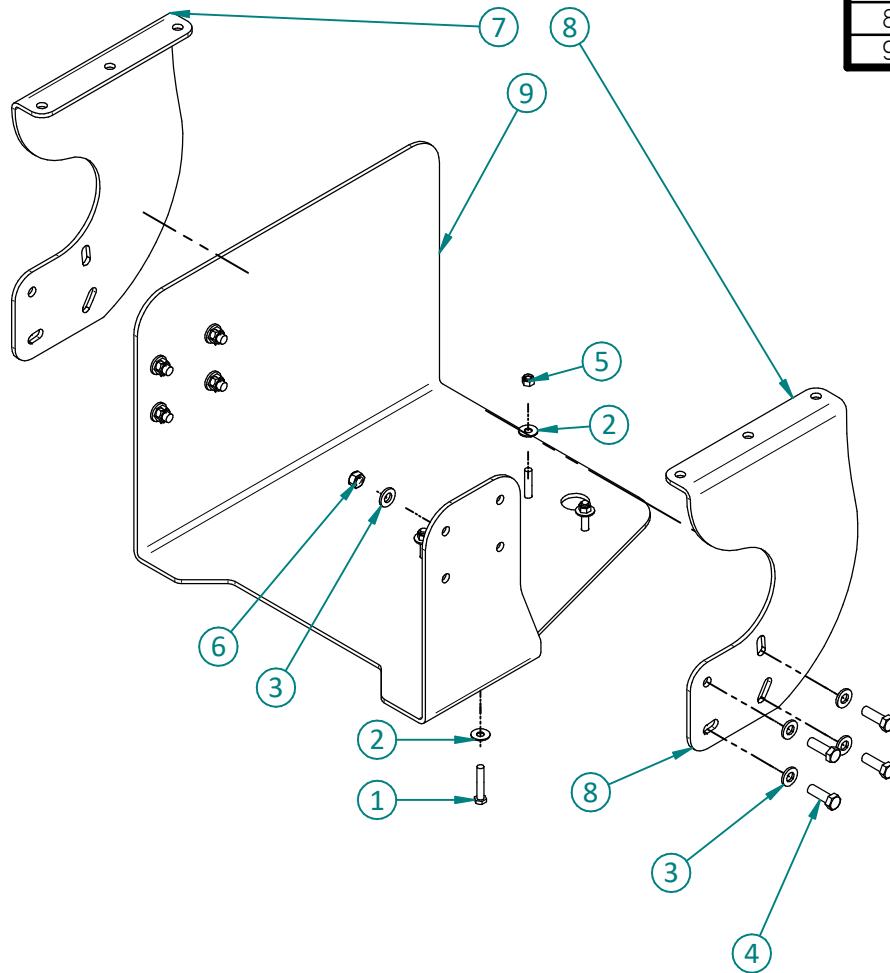
ITEM	PART NO.	DESCRIPTION	QTY
1	CMP400304	PP ADAPTER 2" FNPT X 2" MQDC	1
2	CMP400305	PP ADAPTER 1" MNPT X 1" FQDC	1
3	CMP400307	PP ADAPTER 2" MNPT X 1" FNPT	1
4	CMP400308	PP ADAPTER 2" MNPT X 1 1/2" HB	1
5	CMP400309	PP ADAPTER 2" FNPT X 2" FQDC	1
6	CMP400313	PP ADAPTER 1 1/4" MNPT X 1 1/2"	1
7	CMP400314	PP CAP 1 1/2" FQDC	1
8	CMP400315	PP VALVE BALL 1 1/4" FNPT X 1 1/4"	1
9	CMP400319	PP ELBOW 90 DEG 1 1/4" MNPT X 1	1
10	CMP400320	PP ELBOW 90 DEG 2" MNPT X 1 1/2"	1
11	CMP400324	#4 STRAIGHT LINK CHAIN	6 IN
12	CMP400325	1 1/4" SPLIT RING	1
13	CMP400326	GEAR CLAMP 1-1/2	2
14	CMP400396	PP ADAPTER 1 1/2" MNPT X 1 1/2"	1
15	CMP400543	11" QDC LANYARD	1
16	DOC400043	TOTE TRANSFER HOSE QUICK START	1
17	HYD100971	HOSE EPDM SUCTION 1 1/2" GREY	120 IN

2.6 / 4.6

UNDER DECK 3" PUMP MOUNT KIT LH

KIT400191

ITEM	PART NO.	DESCRIPTION	QTY
1	FST100143	3/8" X 2" CAP SCREW	4
2	FST100150	3/8" FLAT WASHER	8
3	FST100151	1/2" FLAT WASHER HARDENED	16
4	FST100191	1/2" X 1 1/2" CAP SCREW	8
5	FST100206	3/8" LOCKNUT	4
6	FST100356	1/2" CRIMP NUT	8
7	PCT400173	MANIFOLD HANGER BRKT	1
8	PCT400174	MANIFOLD HANGER BRKT	1
9	PCT401954	PUMP BRACKET LH	1

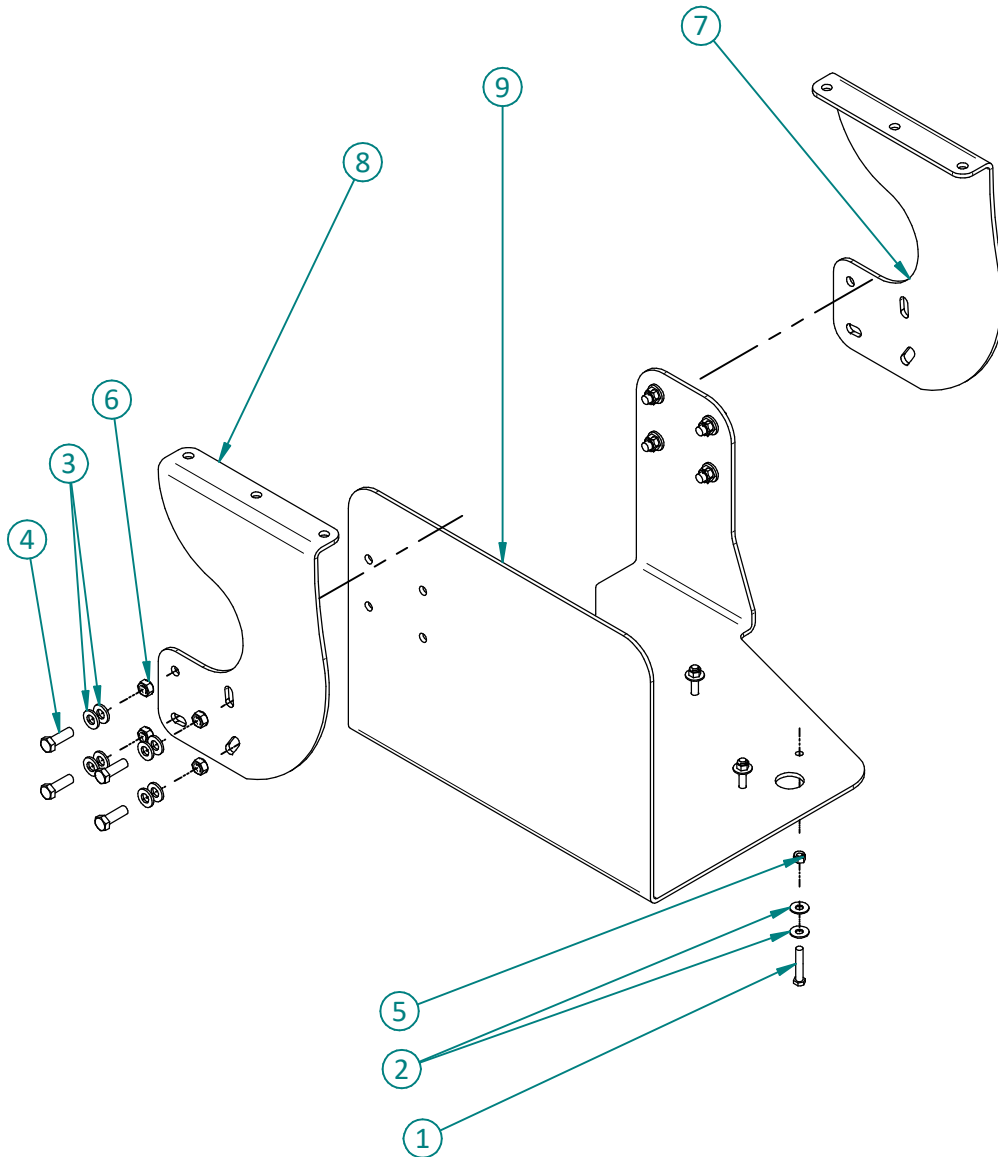


2.6 / 4.6

UNDER DECK 3" PUMP MOUNT KIT

KIT400148

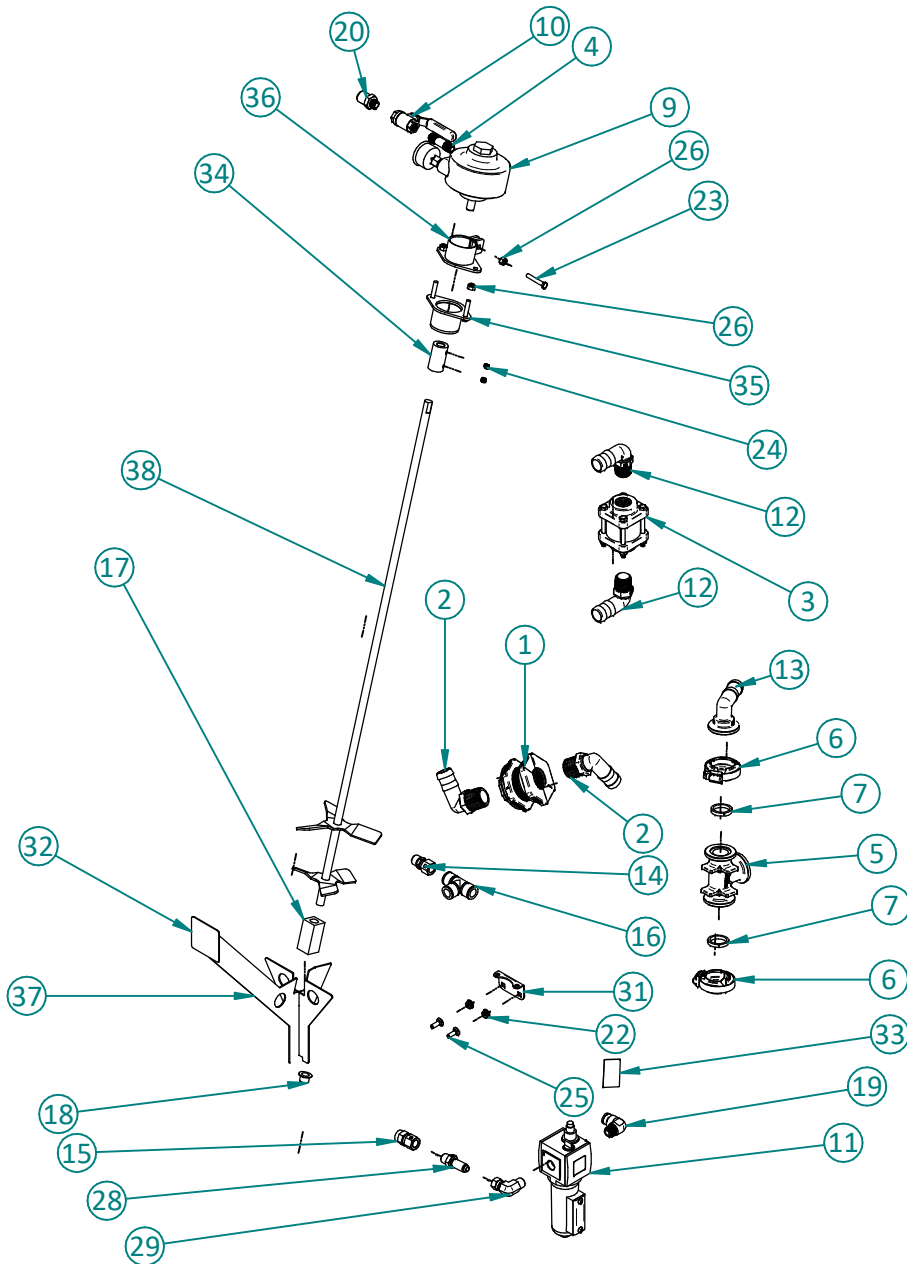
ITEM	PART NO.	DESCRIPTION	QTY
1	FST100143	3/8" X 2" CAP SCREW	4
2	FST100150	3/8" FLAT WASHER	8
3	FST100151	1/2" FLAT WASHER HARDENED	16
4	FST100191	1/2" X 1 1/2" CAP SCREW	8
5	FST100206	3/8" LOCKNUT	4
6	FST100356	1/2" CRIMP NUT	8
7	PCT400173	MANIFOLD HANGER BRKT	1
8	PCT400174	MANIFOLD HANGER BRKT	1
9	PCT401820	PUMP BRACKET RH	1



2.6 / 4.6

AGITATE KIT GEN 2

KIT400070

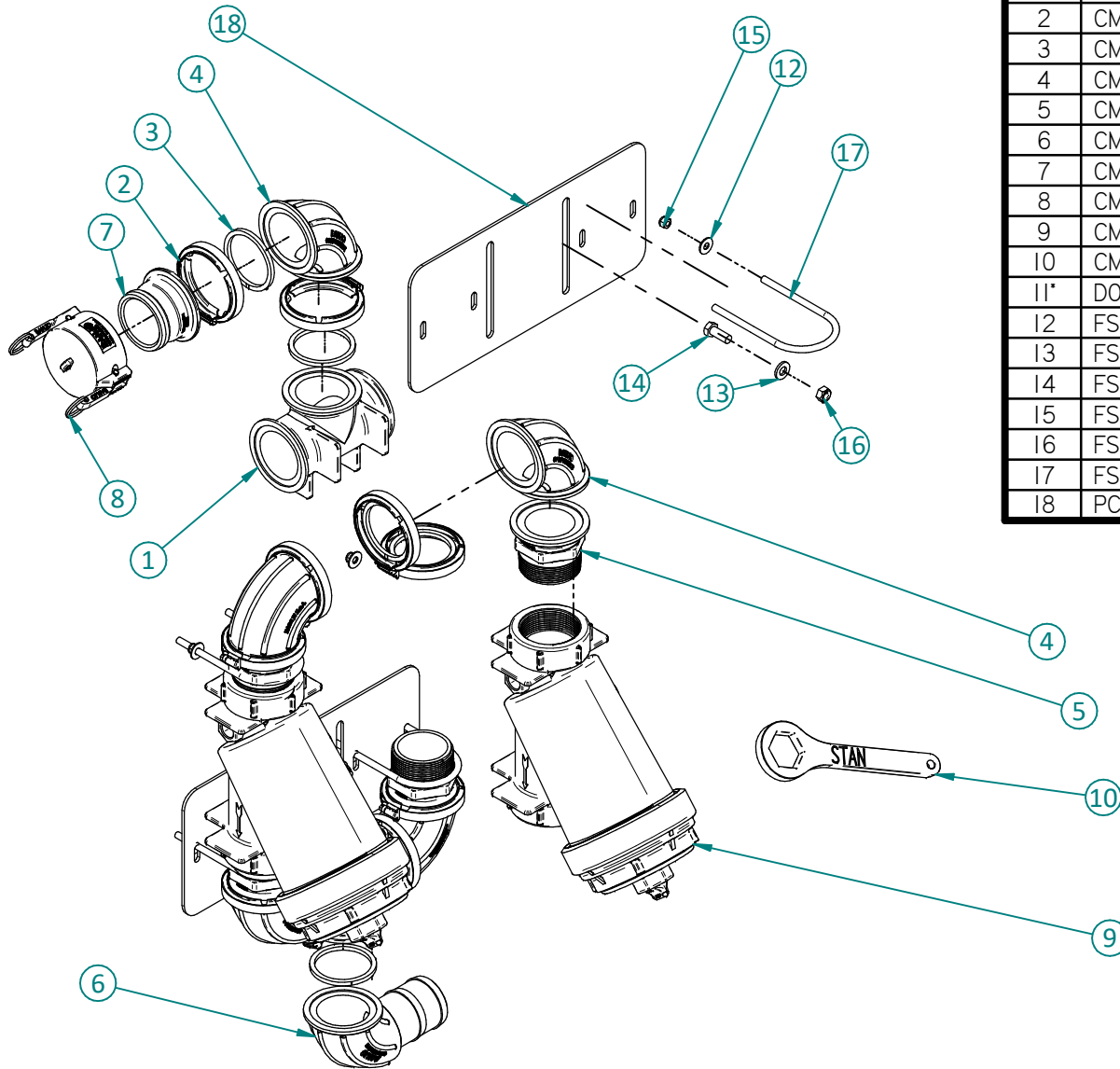


ITEM	PART NO.	DESCRIPTION	QTY
1	CMP400023	PP BULKHEAD 1" FNPT X 1" FNPT	1
2	CMP400037	PP ELBOW 90 DEG 1" MNPT X 1" HB	2
3	CMP400138	PP VALVE BALL 3/4" FNPT X 3/4"	1
4	CMP400196	BR ADAPTER 2" LONG 1/4" MNPT X	1
5	CMP400205	PP TEE 1" FLG X 1" FLG	1
6	CMP400213	SS CLAMP 1" FLG	2
7	CMP400214	EPDM GASKET 1" FLG	2
8*	CMP400225	-16 GEAR CLAMP	4
9	CMP400261	AIR MOTOR 0.93 HP	1
10	CMP400290	BR VALVE BALL 1/4" FNPT X 1/4"	1
11	CMP400294	AIR LUBRICATOR 3/8"	1
12	CMP400339	PP ELBOW 90 DEG 3/4" MNPT X 1" HB	2
13	CMP400487	PP ELBOW 90 DEG 1" FLG X 1" HB	1
14	CMP400516	PL ADAPTER 3/8" MNPT X 1/2" FPTC	1
15	CMP400518	BR ADAPTER 3/8" FNPT X 1/2" COMP	1
16	CMP400562	PL TEE 1/2" FPTC X 3/8" FPTC	1
17	CMP400591	AGITATE SPACER BUSHING	1
18	CMP400592	FLANGE BUSHING 0.500" X 0.594" X	1
19	CMP400619	BR ELBOW 90 DEG 3/8" MNPT X 1/2"	1
20	CMP400720	BR ADAPTER 1/4" MNPT X 1/2" FPTC	1
21*	DOC400018	TANK AGITATE INSTALLATION	1
22	FST100129	1/4" FLANGE NUT 316-SS	2
23	FST100902	1/4" X 1 1/4" CAP SCREW SS	1
24	FST100912	1/4"-20 X 1/4" (CUP STYLE), SS SET	2
25	FST100924	1/4" X 3/4" CARRIAGE BOLT SS	2
26	FST100926	1/4" LOCK NUT SS	3
27*	HYD100800	1" INDUSTRIAL WATER HOSE	80 IN
28	HYD100900	ST BULKHEAD 06 MNPT X 06 MJIC	1
29	HYD100928	ST ELBOW 90 DEG 06 MNPT X 06	1
30*	HYD100978	1/2 AIR BRAKE HOSE	84 IN
31	PCT400034	VALVE MOUNT BRKT	1
32	SAF400054	AGITATE S DECAL	1
33	SAF400100	OIL DECAL	1
34	SAW400461	SHAFT COUPLER 1/2" SS	1
35	WLD400208	SHAFT SEAL WELDT	1
36	WLD400209	AIR PUMP CLAMP WELDT	1
37	WLD400243	AGITATE ANTI VORTEX WELDT	1
38	WLD400246	AGITATE SHAFT WELDT	1

2.6 / 4.6

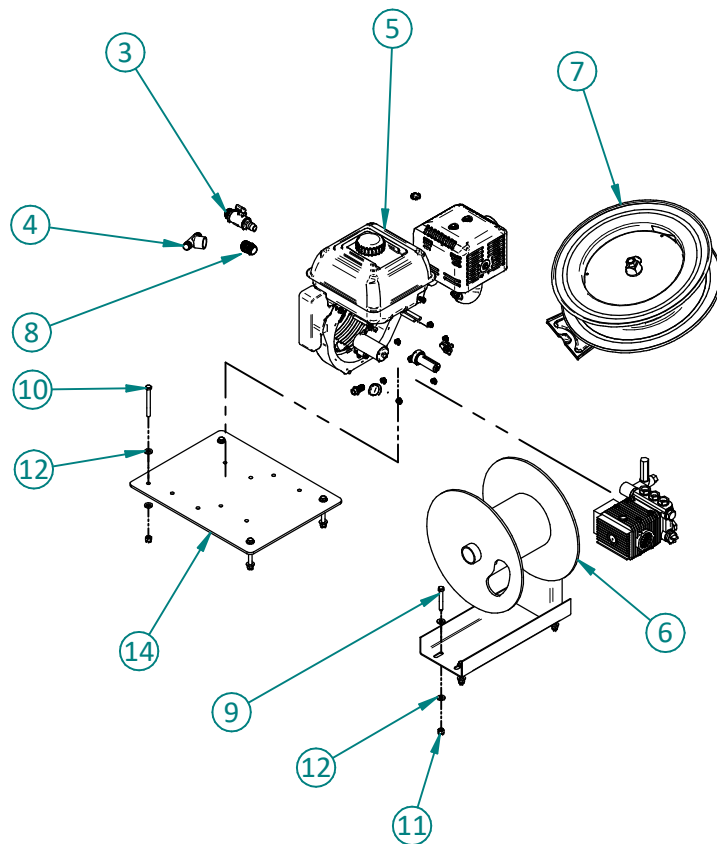
3" INTAKE FILTER

KIT400126



ITEM	PART NO.	DESCRIPTION	QTY
1	CMP400003	PP TEE 3" FLG X 3" FLG	2
2	CMP400004	SS CLAMP 3" FLG	11
3	CMP400005	EPDM GASKET 3" FLG	11
4	CMP400009	PP SWEEP 3" FLG X 3" FLG	5
5	CMP400032	PP ADAPTER 3" FLG X 3" MNPT	4
6	CMP400094	PP SWEEP 3" FLG X 3" HB	1
7	CMP400243	PP ADAPTER 3" FLG X 3" MQDC	1
8	CMP400335	PP CAP 3" FQDC	1
9	CMP400672	PP FILTER 3" FNPT X 3" FNPT	2
10	CMP400673	PL FILTER KIT WRENCH	1
11*	DOC400065	DUAL FILTER KIT QUICK START	1
12	FST100150	3/8" FLAT WASHER	8
13	FST100151	1/2" FLAT WASHER HARDENED	4
14	FST100190	1/2" X 1 1/4" CAP SCREW	4
15	FST100206	3/8" LOCKNUT	8
16	FST100356	1/2" CRIMP NUT	4
17	FST100891	3/8" X 3 1/2" X 6 3/4" U-BOLT	4
18	PCT400942	FILTER MOUNT PLATE	2

2.6 / 4.6 PRESSURE WASHER KIT 14 HP KOHLER, 3.5 GPM KIT400127

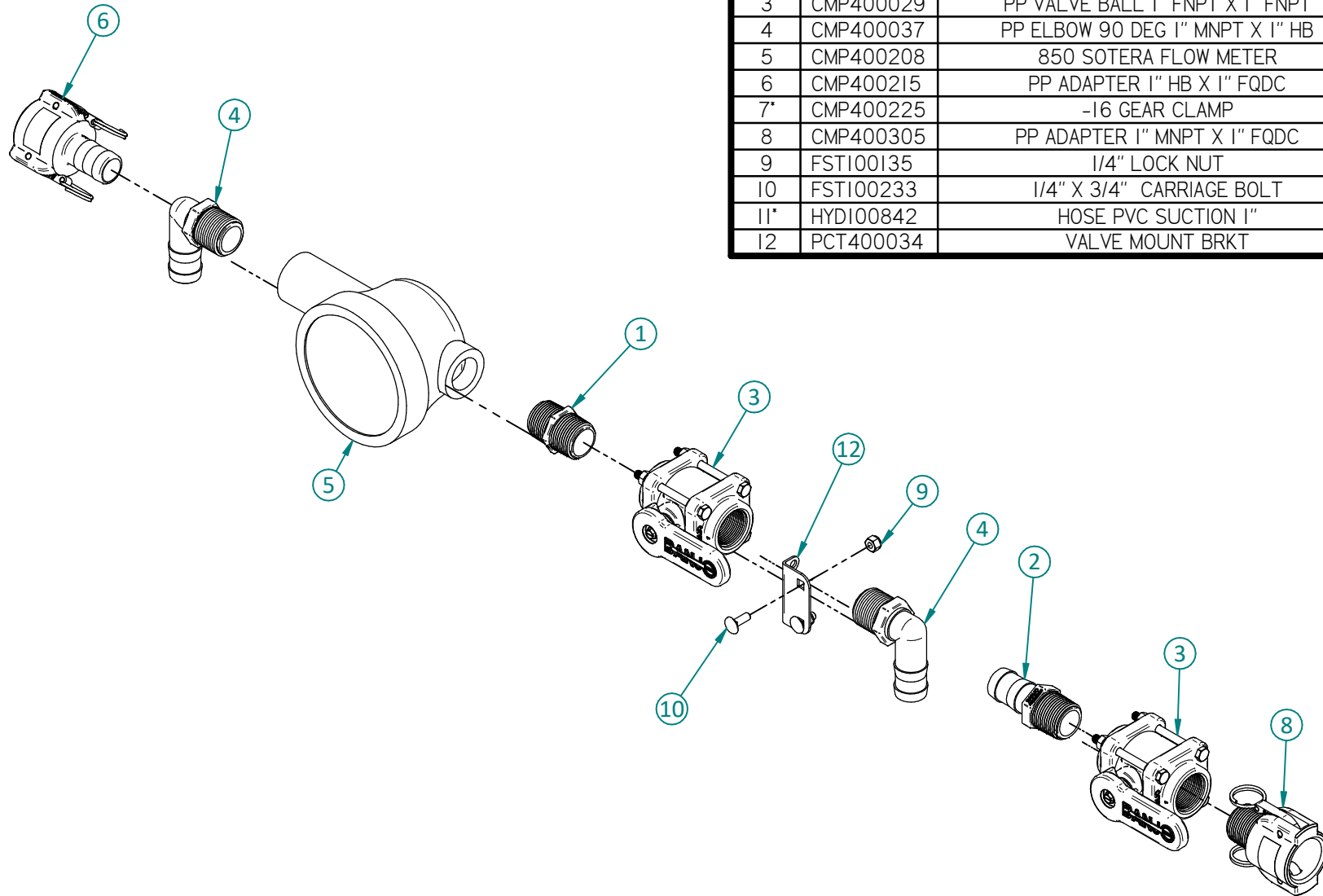


ITEM	PART NO.	DESCRIPTION	QTY
1*	CMP400104	3/4" INDUSTRIAL WATER HOSE	70 IN
2*	CMP400224	-12 GEAR CLAMP	2
3	CMP400658	PP VALVE MICRO 3/4" MNPT X 3/4" HB	1
4	CMP400660	PP TEE 3/4" FNPT X 3/4" HB X 3/4" HB	1
5	CMP400683	14 HP KOHLER W/ EK PUMP	1
6	CMP400684	75FT PRESSURE WASHER HOSE ASSEMBLY	1
7	CMP400685	3FT U-FRAME HOSE REEL KIT	1
8	CMP400731	BR ADAPTER 3/4" MGHT X 3/4" MNPT	1
9	FST100144	3/8" X 2 1/2" CAP SCREW	4
10	FST100198	3/8" X 3 1/2" CAP SCREW	4
11	FST100206	3/8" LOCKNUT	8
12	FST100930	3/8" HARDENED WASHER	16
13*	HYD100998	HOSE 1/2" MNPT END 60" of 3/8" HOSE 1/2" MNPT END	1
14	PCT400899	BASE PLATE PRESSURE WASHER	1
15*	PCT400936	WASHER FOR MOUNTING PLATE	4

2.6 / 4.6

AUXILIARY METER KIT

KIT400018



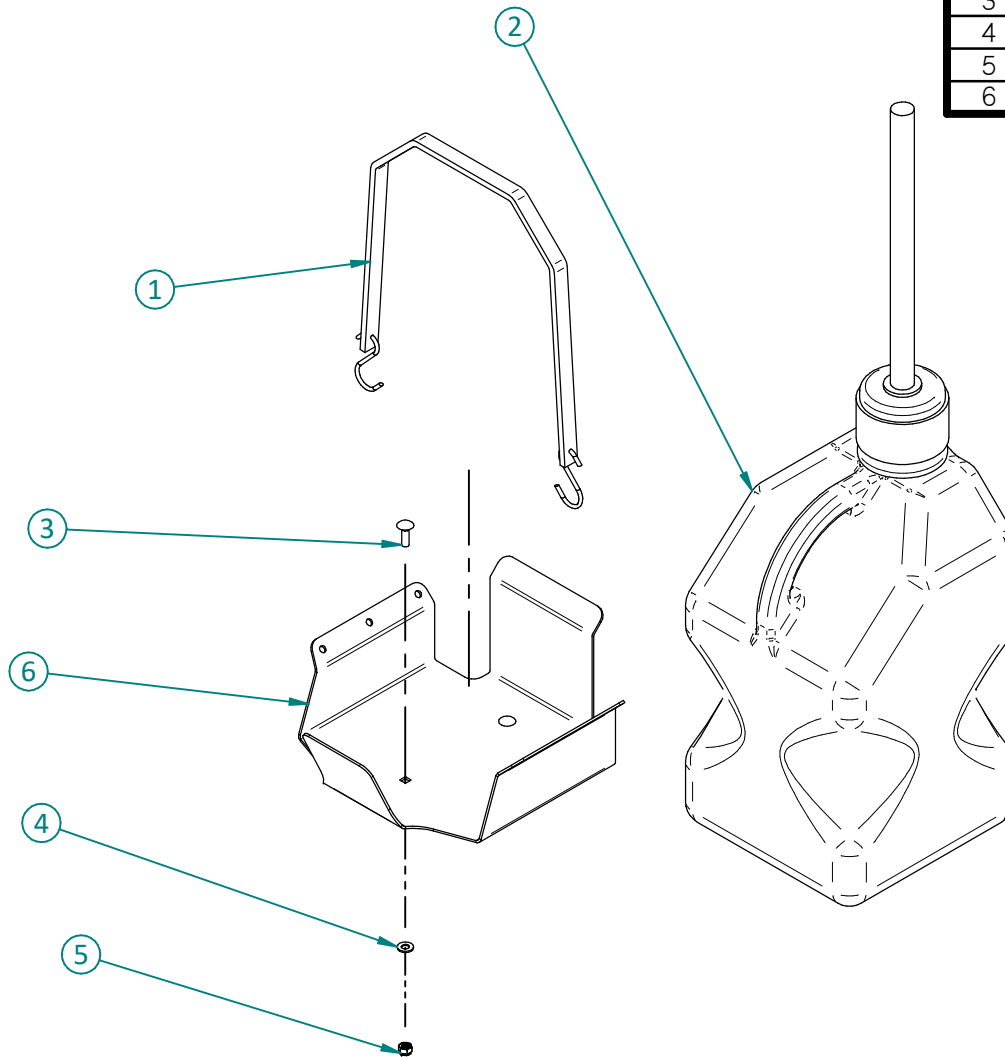
ITEM	PART NO.	DESCRIPTION	QTY
1	CMP400024	PP ADAPTER 1" MNPT X 1" MNPT	1
2	CMP400028	PP ADAPTER 1" MNPT X 1" HB	1
3	CMP400029	PP VALVE BALL 1" FNPT X 1" FNPT	2
4	CMP400037	PP ELBOW 90 DEG 1" MNPT X 1" HB	2
5	CMP400208	850 SOTERA FLOW METER	1
6	CMP400215	PP ADAPTER 1" HB X 1" FQDC	1
7*	CMP400225	-16 GEAR CLAMP	4
8	CMP400305	PP ADAPTER 1" MNPT X 1" FQDC	1
9	FST100135	1/4" LOCK NUT	2
10	FST100233	1/4" X 3/4" CARRIAGE BOLT	2
11*	HYD100842	HOSE PVC SUCTION 1"	276 IN
12	PCT400034	VALVE MOUNT BRKT	1

2.6 / 4.6

GAS CAN

KIT400146

ITEM	PART NO.	DESCRIPTION	QTY
1	CMP400628	30" RUBBER TARP STRAP	1
2	CMP400850	VP RACING 5 GAL FUEL JUG	1
3	FSTI00344	5/16" x 1" CARRIAGE BOLT	2
4	FSTI00976	5/16" FLAT WASHER SS	2
5	FSTI00977	5/16" SS LOCK NUT	2
6	PCT401005	JERRY CAN HOLDER	1

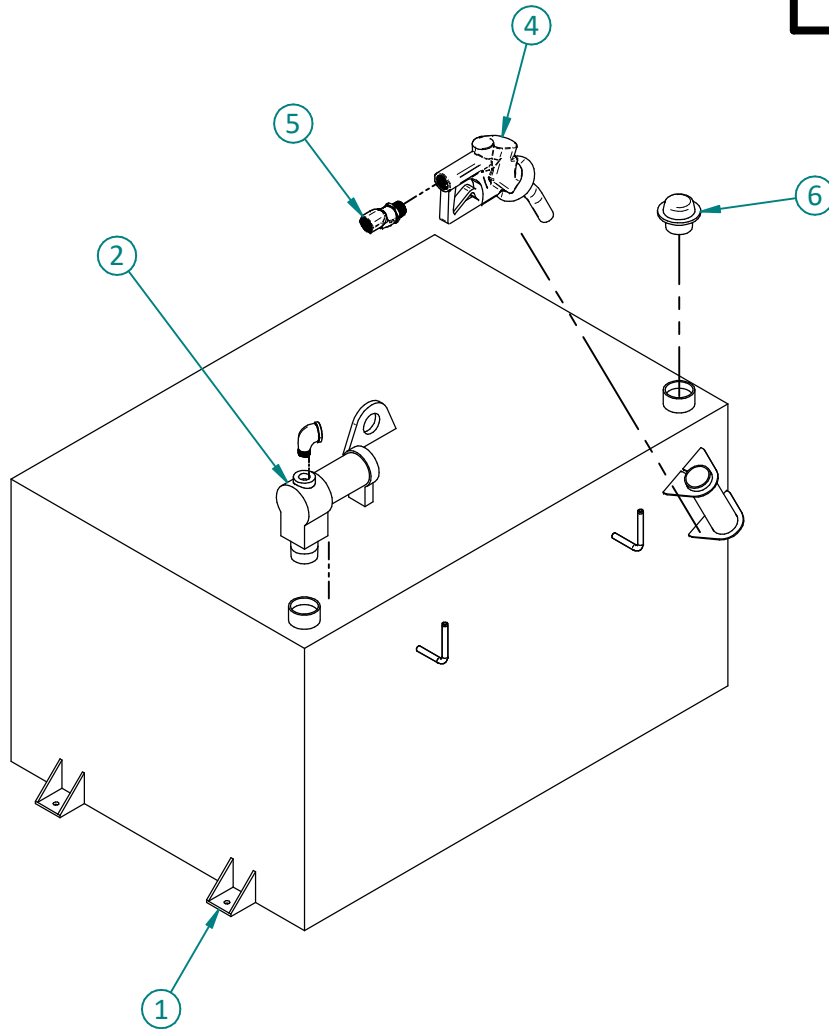


4.6 / 2.6

200 GAL FUEL TANK KIT

KIT400123

ITEM	PART NO.	DESCRIPTION	QTY
1	CMP400680	200 GAL FUEL TANK	1
2	CMP400696	FILL-RITE 12V 20GPM FUEL PUMP W/ SUCTION PIPE	1
3*	CMP400697	FUEL HOSE 1" X 25'	1
4	CMP400699	AUTOMATIC FUEL NOZZLE, 1"	1
5	CMP400701	FUEL HOSE SWIVEL, 1"	1
6	CMP400702	VENT CAP, 2" NPT	1

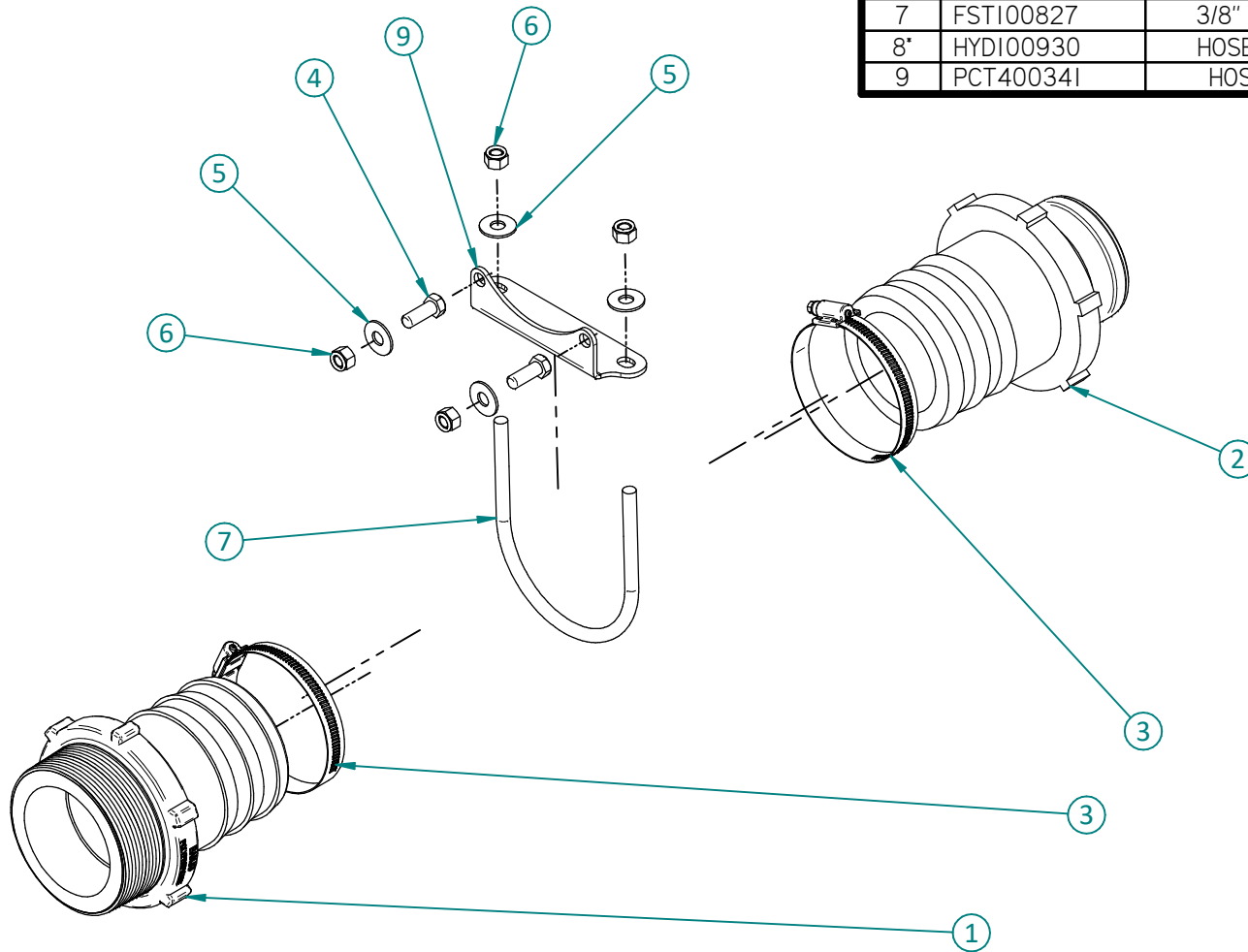


2.6 / 4.6

4" INLET HOSE KIT

KIT400052

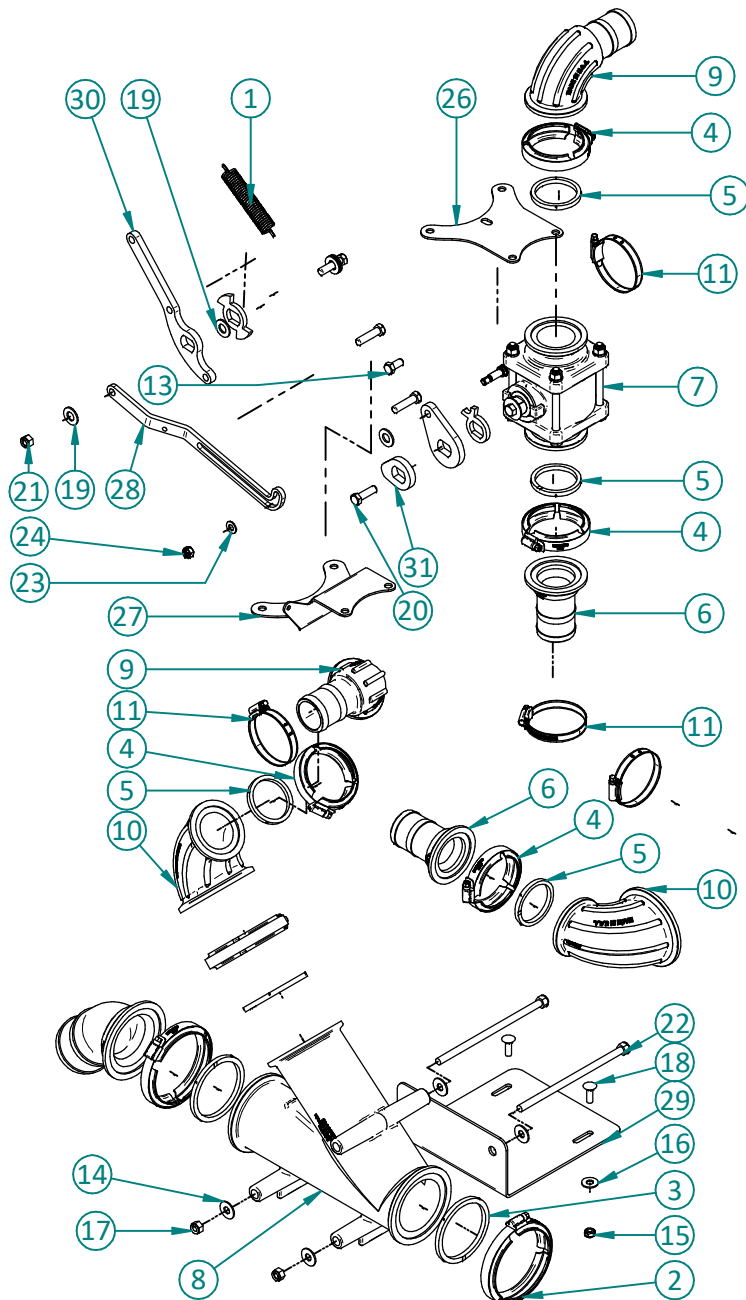
ITEM	PART NO.	DESCRIPTION	QTY
1	CMP400368	PP ADAPTER 4" MNPT X 4" HB	1
2	CMP400369	AL ADAPTER 4" HB X 3" MQDC	1
3	CMP400370	GEAR CLAMP HD 4.06"-4.87"	2
4	FST100141	3/8" X 1" CAP SCREW	2
5	FST100150	3/8" FLAT WASHER	4
6	FST100206	3/8" LOCKNUT	4
7	FST100827	3/8" X 4 1/2" X 6 1/2" U-BOLT	1
8*	HYD100930	HOSE EPDM SUCTION 4" BLUE	146 IN
9	PCT400341	HOSE CLAMP MOUNT PLATE	1



2.6 / 4.6

2" BOOST KIT

KIT400150



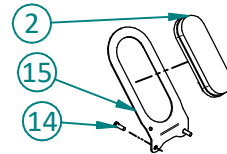
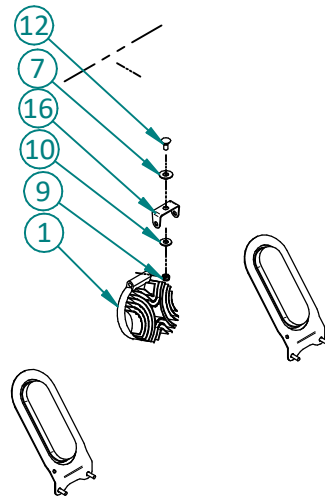
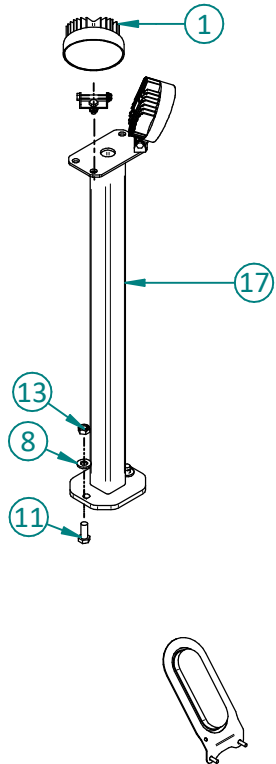
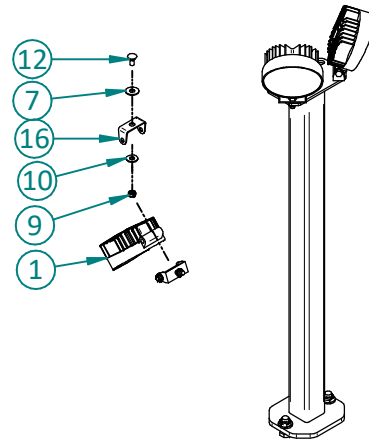
ITEM	PART NO.	DESCRIPTION	QTY
1	CMP100787	EXTENSION SPRING, 0.091 X 13/16" X	1
2	CMP400004	SS CLAMP 3" FLG	3
3	CMP400005	EPDM GASKET 3" FLG	3
4	CMP400134	SS CLAMP 2" FP FLG	4
5	CMP400136	EPDM GASKET 2" FP FLG	4
6	CMP400637	PP ADAPTER 2" FP FLG X 2" HB	2
7	CMP400839	2" FULL PORT MANIFOLD VALVE	1
8	CMP400921	3" FULL PORT 45 DEGREE Y	1
9	CMP400927	PP SWEEP 90 DEG 2" FP FLG X 2" HB	2
10	CMP400929	PP SWEEP 90 DEG 3" FLG X 2" FP	2
11	CMP400930	GEAR CLAMP HD 2.25"-2.75"	4
12*	DOC400072	2" BOOST KIT QUICK START GUIDE	1
13	FST100141	3/8" X 1" CAP SCREW 316-SS	1
14	FST100150	3/8" FLAT WASHER	4
15	FST100173	5/16" LOCK NUT	2
16	FST100174	5/16" FLAT WASHER	2
17	FST100206	3/8" LOCKNUT	2
18	FST100344	5/16" x 1" CARRIAGE BOLT	2
19	FST100732	1/2" NYLON FLAT WASHER	6
20	FST100901	3/8" X 1 1/4" CAP SCREW SS	1
21	FST100909	3/8" SS LOCKNUT	1
22	FST100958	3/8" x 7 1/2" HEX BOLT	2
23	FST100976	5/16" FLAT WASHER SS	1
24	FST100977	5/16" SS LOCK NUT	1
25*	HYD101012	HOSE EPDM SUCTION 2" GREY	1
26	PCT400989	BOOST KIT MOUNTING TOP BRKT	1
27	PCT400990	BOOST KIT MOUNTING BRKT BOTTOM	1
28	PCT401499	DRIVING LINK	1
29	PCT401509	Y-MOUNTING BRKT	1
30	WLD400309	BOOST KIT 3" VALVE LINK	1
31	WLD400310	2" VALVE LINK WLD	1

2.6 / 4.6

DELUXE TRAILER LIGHTING PACKAGE

KIT400162

ITEM	PART NO.	DESCRIPTION	QTY
1	ELCI00500	5 BULB LED WORK LIGHT	6
2	ELCI00865	LIGHT, LED OVAL WHITE	4
3*	ELCI00875	CAGE LIGHT EXT HARNESS	1
4*	ELCI00881	LIGHT POST HARNESS	2
5*	ELCI00882	TANK BACK LIGHT HARNESS	1
6*	ELCI00908	LIGHT HARNESS	1
7	FST100150	3/8" FLAT WASHER	2
8	FST100151	1/2" FLAT WASHER HARDENED	4
9	FST100173	5/16" LOCK NUT	2
10	FST100174	5/16" FLAT WASHER	6
11	FST100190	1/2" X 1 1/4" CAP SCREW	4
12	FST100350	5/16" X 3/4" CARRIAGE BOLT	2
13	FST100356	1/2" CRIMP NUT	4
14	FST100894	1/4" X 3/4" THREAD CUTTING SCREW	8
15	PCT400626	LIGHT MOUNT BRKT	4
16	PCT400794	LIGHT MOUNT BRKT	2
17	WLD400035	LIGHT STAND WELDT	2

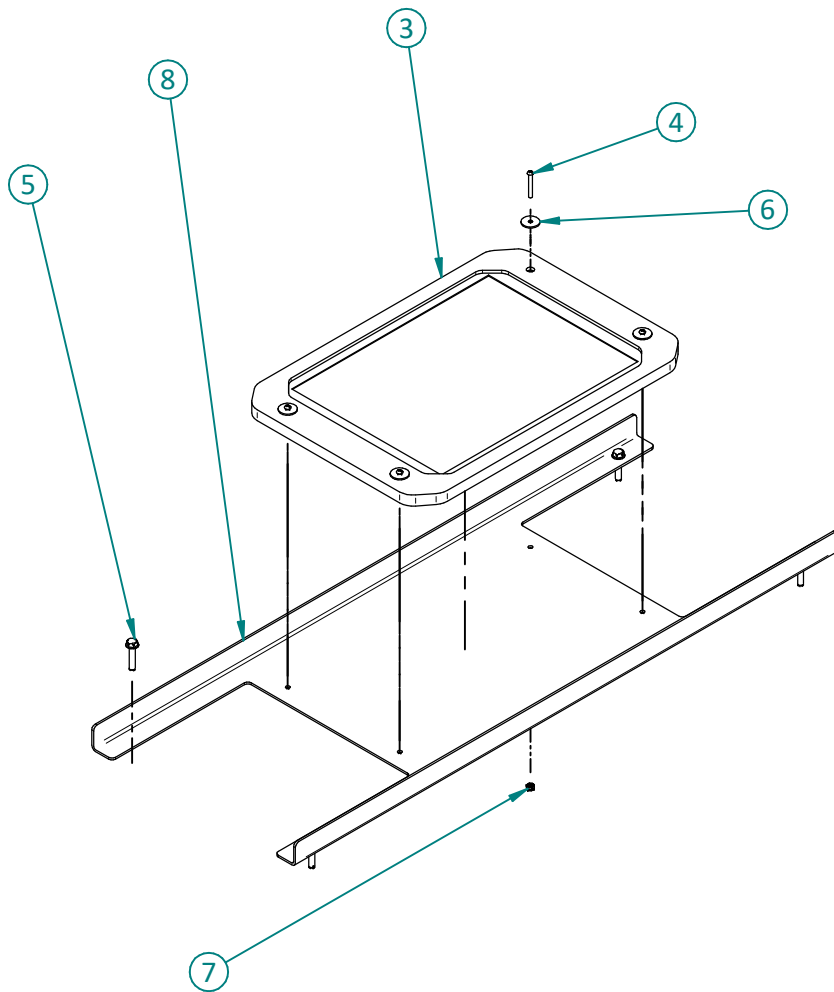


2.6 / 4.6

SOLAR CHARGER

KIT400166

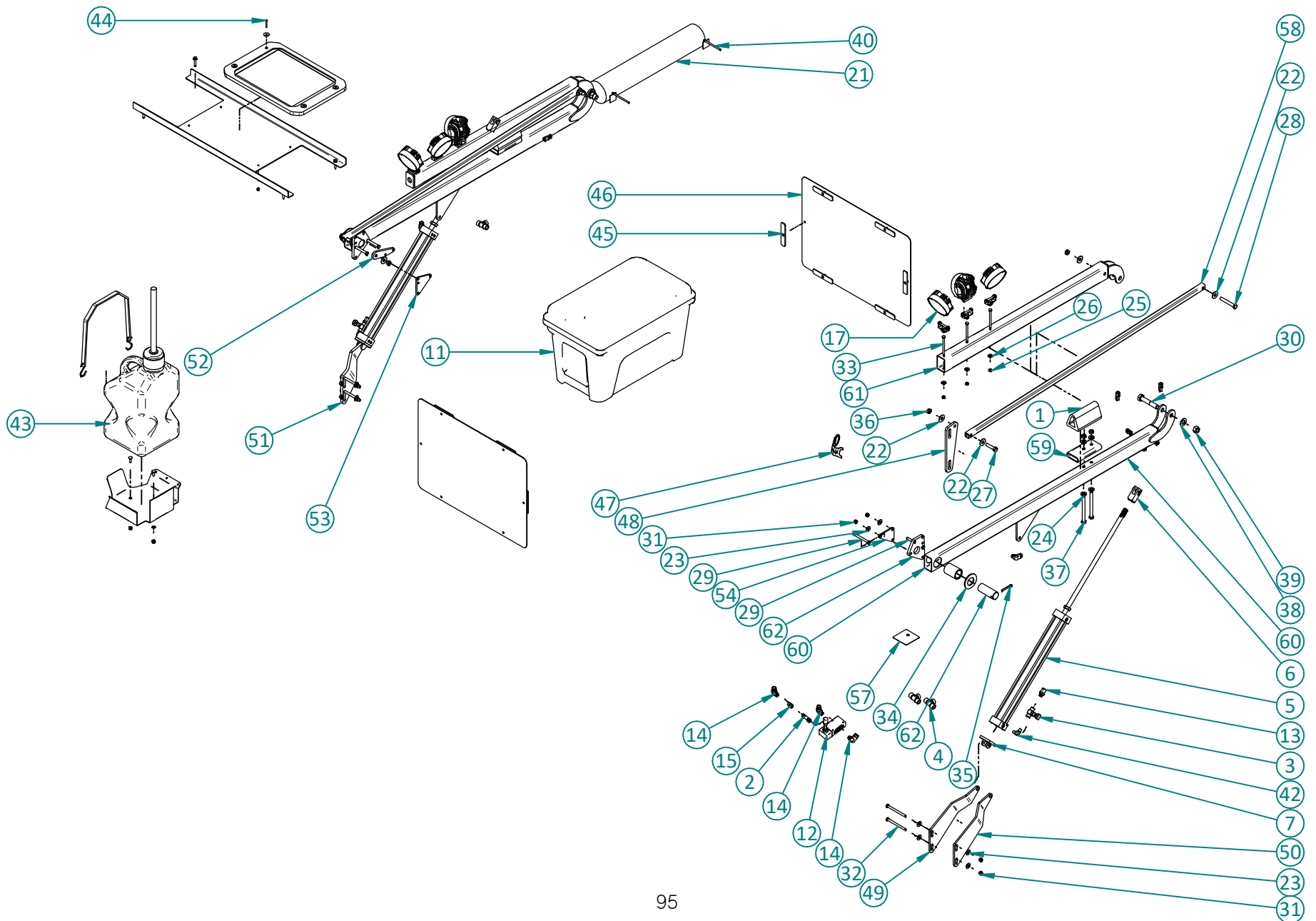
ITEM	PART NO.	DESCRIPTION	QTY
1*	DOC400078	QUICK START GUIDE	1
2*	ELCI00906	SOLAR PANEL HARNESS	1
3	ELCI00923	SOLAR PANEL W/H DEUTSCH	1
4	FST100230	# 10 - 24 X 1 1/2" ROUND HEAD	4
5	FST100261	5/16" X 1 1/2" SELF THREADING	4
6	FST100298	3/16" FENDER WASHER	4
7	FST101002	#10-24 NYLON INSERT LOCK NUT	4
8	PCT401081	SOLAR PANEL SUPPORT PLATE	1



2.6 / 4.6

HUNTER BROTHERS SPECIAL EDITION

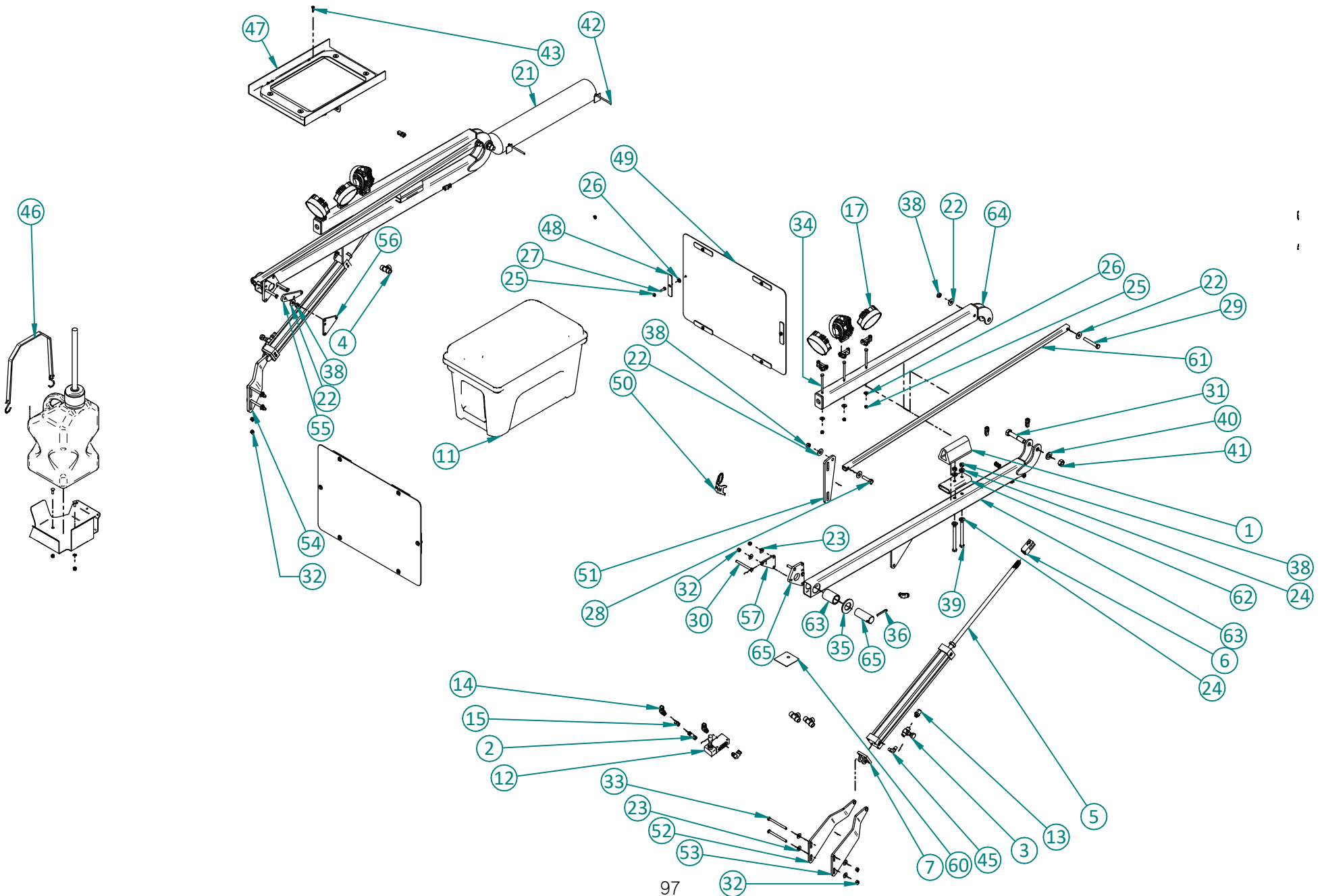
KIT400163



2.6 / 4.6**HUNTER BROTHERS SPECIAL EDITION****KIT400163**

ITEM	PART NO.	DESCRIPTION	QTY	ITEM	PART NO.	DESCRIPTION	QTY
1	CMP100744	WIND GUARD BUMPER	2	35	FST100314	1/4" x 2" COTTER PIN	2
2	CMP400196	BR ADAPTER 2" LONG 1/4" MNPT X	1	36	FST100356	1/2" CRIMP NUT	8
3	CMP400284	BR VALVE NEEDLE 1/4" FNPT X 1/4"	2	37	FST100390	1/2" X 5 1/2" CAP SCREW	4
4	CMP400513	PL TEE 1/2" FPTC X 1/2" FPTC	3	38	FST100404	3/4" WASHER HARDENED	2
5	CMP400620	CYLINDER, PNEUMATIC 40MM X	2	39	FST100405	3/4" CRIMP NUT	2
6	CMP400621	CYL ROD END	2	40	FST100774	1/4" X 4" BLACK OXIDE SOCKET HEAD	2
7	CMP400622	CYL CLEVIS BASE 40MM	2	41*	HYDI00978	1/2 AIR BRAKE HOSE	1
8*	CMP400624	CHANNEL LOCK PLIERS	1	42	HYDI00996	ST ELBOW 90 DEG 04 MNPT X 04	2
9*	CMP400625	CHANNEL LOCK PLIERS	1	43	KIT400146	JERRY CAN KIT	1
10*	CMP400626	SQUEEGEE	1	44	KIT400166	SOLAR CHARGER	1
11	CMP400627	YETI COOLER 35 BLUE	1	45	PCT400252	WIRE CLAMP PLATE	12
12	CMP400630	VALVE PNEUMATIC, 5 WAY, 3	1	46	PCT400460	CAGE SIGN PLATE	2
13	CMP400720	BR ADAPTER 1/4" MNPT X 1/2" FPTC	2	47	PCT400607	BARREL WRENCH	1
14	CMP400722	BR ELBOW 90 DEG 1/4" MNPT X 1/2"	5	48	PCT400798	BOOM PIVOT MOUNT	1
15	CMP400728	BR COUPLER 04 FNPT X 04 FNPT	1	49	PCT400800	CAGE CYL LUG	1
16*	CMP401375	1/2" I.D. x 1" O.D. x 1/2" RUBBER	2	50	PCT400801	CAGE CYL LUG	1
17	ELC100500	5 BULB LED WORK LIGHT	6	51	PCT400802	CAGE CYL LUG	1
18*	ELC100890	LIGHT EXT HARNESS, HUNTER	2	52	PCT400803	LINK PIVOT	1
19*	ELC100891	LIGHT BAR HARNESS, HUNTER	2	53	PCT400804	BOOM PIVOT MOUNT PLATE	1
20*	ELC100905	SPEAKER HARNESS	1	54	PCT400805	BOOM PIVOT MOUNT PLATE	1
21	ELC100924	BLUETOOTH SPEAKER W/H DEUTSCH	1	55*	SAF400082	HUNTER BROS SE LOGO	1
22	FST100106	1/2" FLAT WASHER	8	56*	SAF400083	HUNTER BROS SE LOGO COOLER	1
23	FST100150	3/8" FLAT WASHER	12	57	SAF400084	PARTY MODE DECAL	1
24	FST100151	1/2" FLAT WASHER HARDENED	8	58	SAW400486	LIGHT CROSS LINK	2
25	FST100173	5/16" LOCK NUT	6	59	SAW400512	BUMPER SPACER	2
26	FST100174	5/16" FLAT WASHER	6	60	WLD400150	LOWER POST WELDMENT	2
27	FST100192	1/2" x 2" BOLT	2	61	WLD400151	UPPER ARM WELDT	2
28	FST100194	1/2" X 3 1/2" CAP SCREW	2	62	WLD400258	BOOM PIVOT WELDMENT	2
29	FST100200	3/8" X 4" CAP SCREW	4				
30	FST100204	3/4" X 4" CAP SCREW	2				
31	FST100206	3/8" LOCKNUT	10				
32	FST100268	3/8" X 4 1/2" CAP SCREW	4				
33	FST100310	5/16" X 3 1/2" CAP SCREW	6				
34	FST100313	1 1/2" HARDENED WASHER	2				

2.6 / 4.6 HUNTER BROTHERS SPECIAL EDITION W/H SOLAR PANELKIT400219

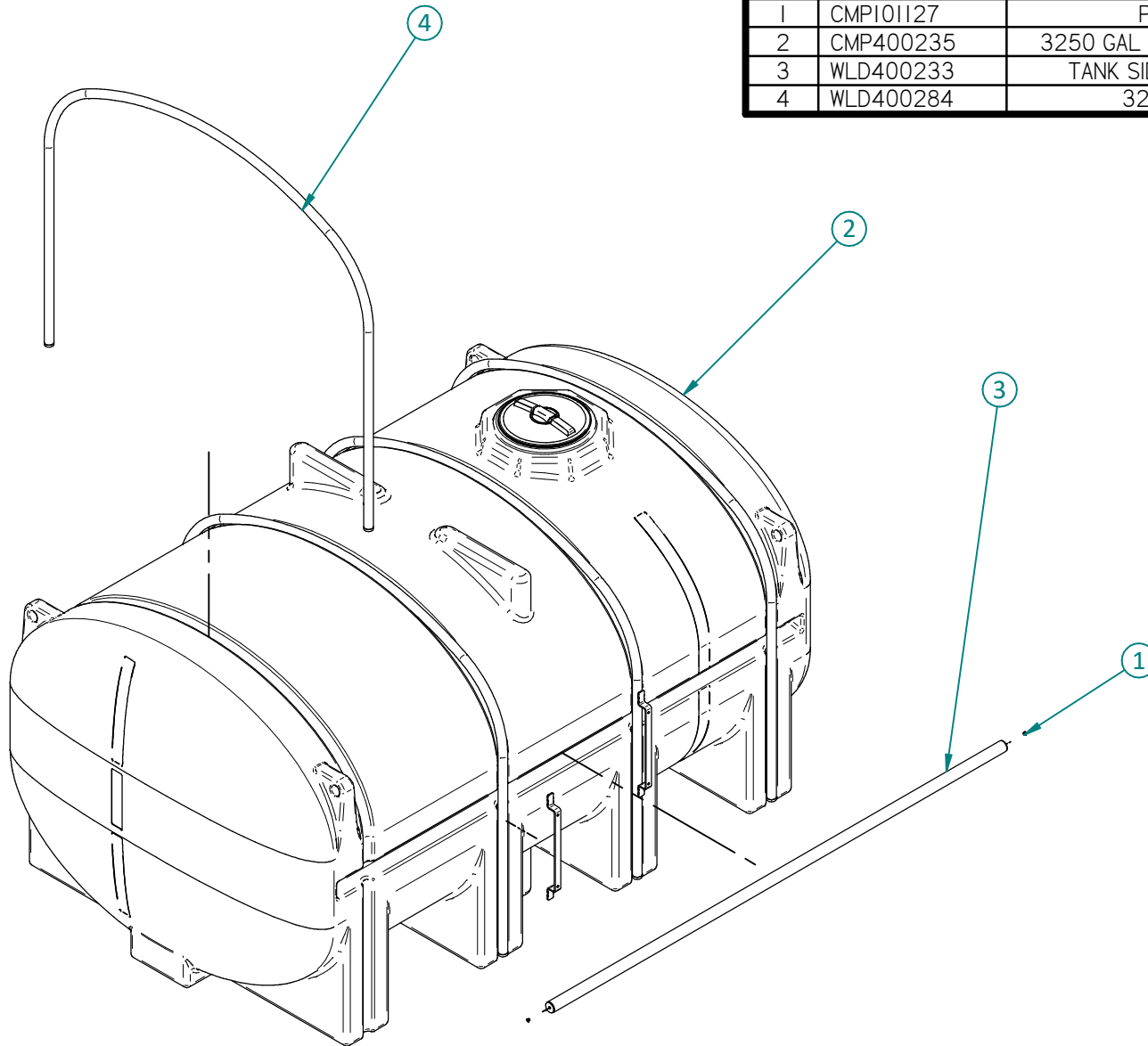


2.6 / 4.6 HUNTER BROTHERS SPECIAL EDITION W/H SOLAR PANELKIT400219

ITEM	PART NO.	DESCRIPTION	QTY	ITEM	PART NO.	DESCRIPTION	QTY
1	CMP100744	WIND GUARD BUMPER	2	35	FST100313	1 1/2" HARDENED WASHER	2
2	CMP400196	BR ADAPTER 2" LONG 1/4" MNPT X	1	36	FST100314	1/4" x 2" COTTER PIN	2
3	CMP400284	BR VALVE NEEDLE 1/4" FNPT X 1/4"	2	37*	FST100344	5/16" x 1" CARRIAGE BOLT	1
4	CMP400513	PL TEE 1/2" FPTC X 1/2" FPTC	3	38	FST100356	1/2" CRIMP NUT	8
5	CMP400620	CYLINDER, PNEUMATIC 40MM X	2	39	FST100390	1/2" X 5 1/2" CAP SCREW	4
6	CMP400621	CYL ROD END	2	40	FST100404	3/4" WASHER HARDENED	2
7	CMP400622	CYL CLEVIS BASE 40MM	2	41	FST100405	3/4" CRIMP NUT	2
8*	CMP400624	CHANNEL LOCK PLIERS	1	42	FST100774	1/4" X 4" BLACK OXIDE SOCKET HEAD	2
9*	CMP400625	CHANNEL LOCK PLIERS	1	43	FST100957	1/4" X 1 SELF DRILLING SCREW	2
10*	CMP400626	SQUEEGEE	1	44*	HYD100978	1/2 AIR BRAKE HOSE	1
11	CMP400627	YETI COOLER 35 BLUE	1	45	HYD100996	ST ELBOW 90 DEG 04 MNPT X 04	2
12	CMP400630	VALVE PNEUMATIC, 5 WAY, 3	1	46	KIT400146	JERRY CAN KIT	1
13	CMP400720	BR ADAPTER 1/4" MNPT X 1/2" FPTC	2	47	KIT400217	SOLAR PANEL KIT	1
14	CMP400722	BR ELBOW 90 DEG 1/4" MNPT X 1/2"	5	48	PCT400252	WIRE CLAMP PLATE	12
15	CMP400728	BR COUPLER 04 FNPT X 04 FNPT	1	49	PCT400460	CAGE SIGN PLATE	2
16*	CMP401375	1/2" I.D. x 1" O.D. x 1/2" RUBBER	2	50	PCT400607	BARREL WRENCH	1
17	ELC100500	5 BULB LED WORK LIGHT	6	51	PCT400798	BOOM PIVOT MOUNT	1
18*	ELC100890	LIGHT EXT HARNESS, HUNTER	2	52	PCT400800	CAGE CYL LUG	1
19*	ELC100891	LIGHT BAR HARNESS, HUNTER	2	53	PCT400801	CAGE CYL LUG	1
20*	ELC100905	SPEAKER HARNESS	1	54	PCT400802	CAGE CYL LUG	1
21	ELC100924	BLUETOOTH SPEAKER W/H DEUTSCH	1	55	PCT400803	LINK PIVOT	1
22	FST100106	1/2" FLAT WASHER	8	56	PCT400804	BOOM PIVOT MOUNT PLATE	1
23	FST100150	3/8" FLAT WASHER	12	57	PCT400805	BOOM PIVOT MOUNT PLATE	1
24	FST100151	1/2" FLAT WASHER HARDENED	8	58*	SAF400082	HUNTER BROS SE LOGO	1
25	FST100173	5/16" LOCK NUT	19	59*	SAF400083	HUNTER BROS SE LOGO COOLER	1
26	FST100174	5/16" FLAT WASHER	18	60	SAF400084	PARTY MODE DECAL	1
27	FST100176	5/16" X 1" CAP SCREW	12	61	SAW400486	LIGHT CROSS LINK	2
28	FST100192	1/2" x 2" BOLT	2	62	SAW400512	BUMPER SPACER	2
29	FST100194	1/2" X 3 1/2" CAP SCREW	2	63	WLD400150	LOWER POST WELDMENT	2
30	FST100200	3/8" X 4" CAP SCREW	4	64	WLD400151	UPPER ARM WELDT	2
31	FST100204	3/4" X 4" CAP SCREW	2	65	WLD400258	BOOM PIVOT WELDMENT	2
32	FST100206	3/8" LOCKNUT	10				
33	FST100268	3/8" X 4 1/2" CAP SCREW	4				
34	FST100310	5/16" X 3 1/2" CAP SCREW	6				

2.6 / 4.6 3250 GAL ELLIPT LEG TANK W/O SUMP & HOOPS KIT400036

ITEM	PART NO.	DESCRIPTION	QTY
1	CMP101127	PL PLUG 1/2"	4
2	CMP400235	3250 GAL ELLIPT. LEG TANK W/O	1
3	WLD400233	TANK SIDE SUPPORT, 3250	2
4	WLD400284	3250 GAL HOOP	4

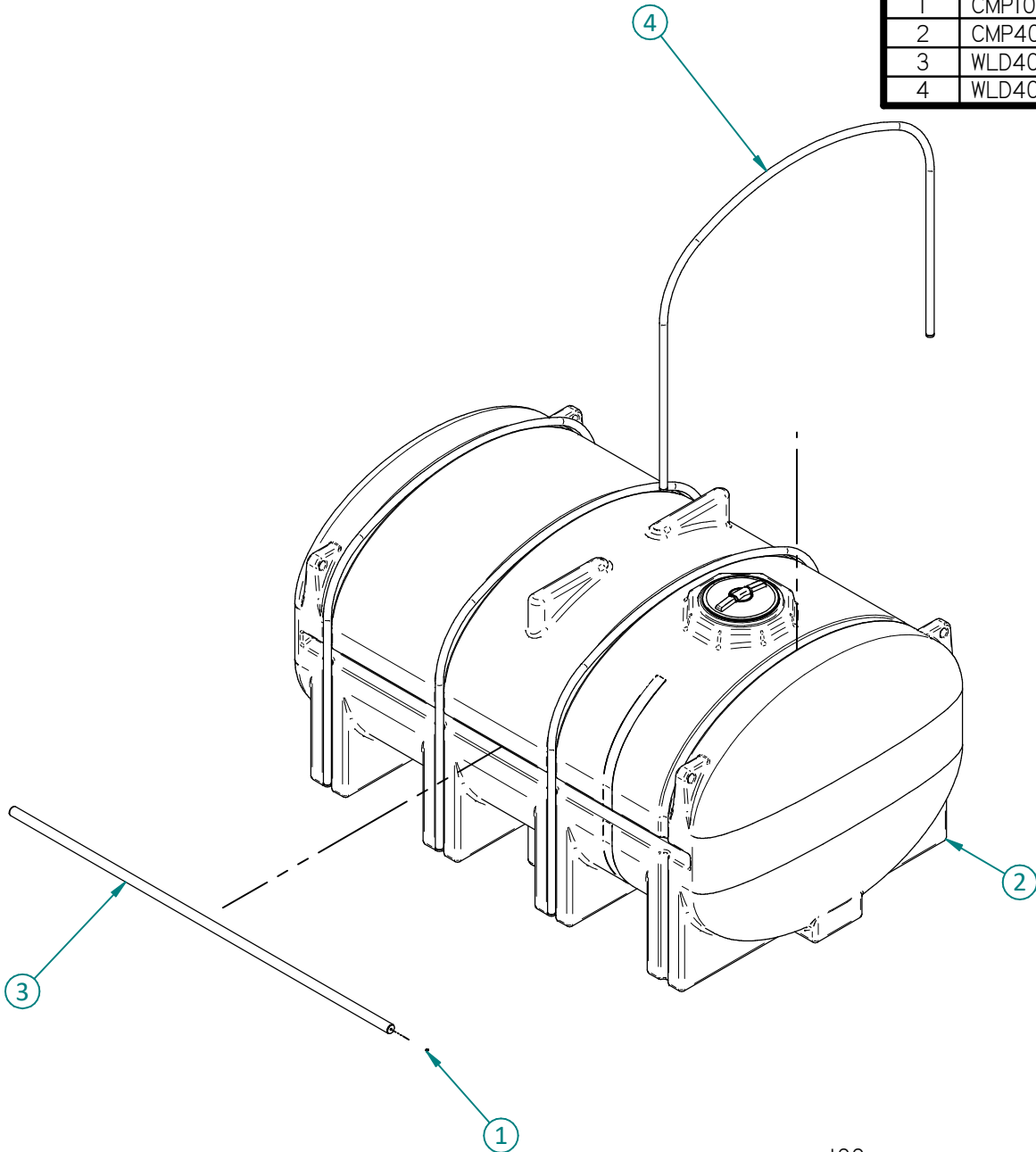


2.6 /4.6

3250 GAL ELLIPT LEG TANK W/CENTER SUMP & HOOPS

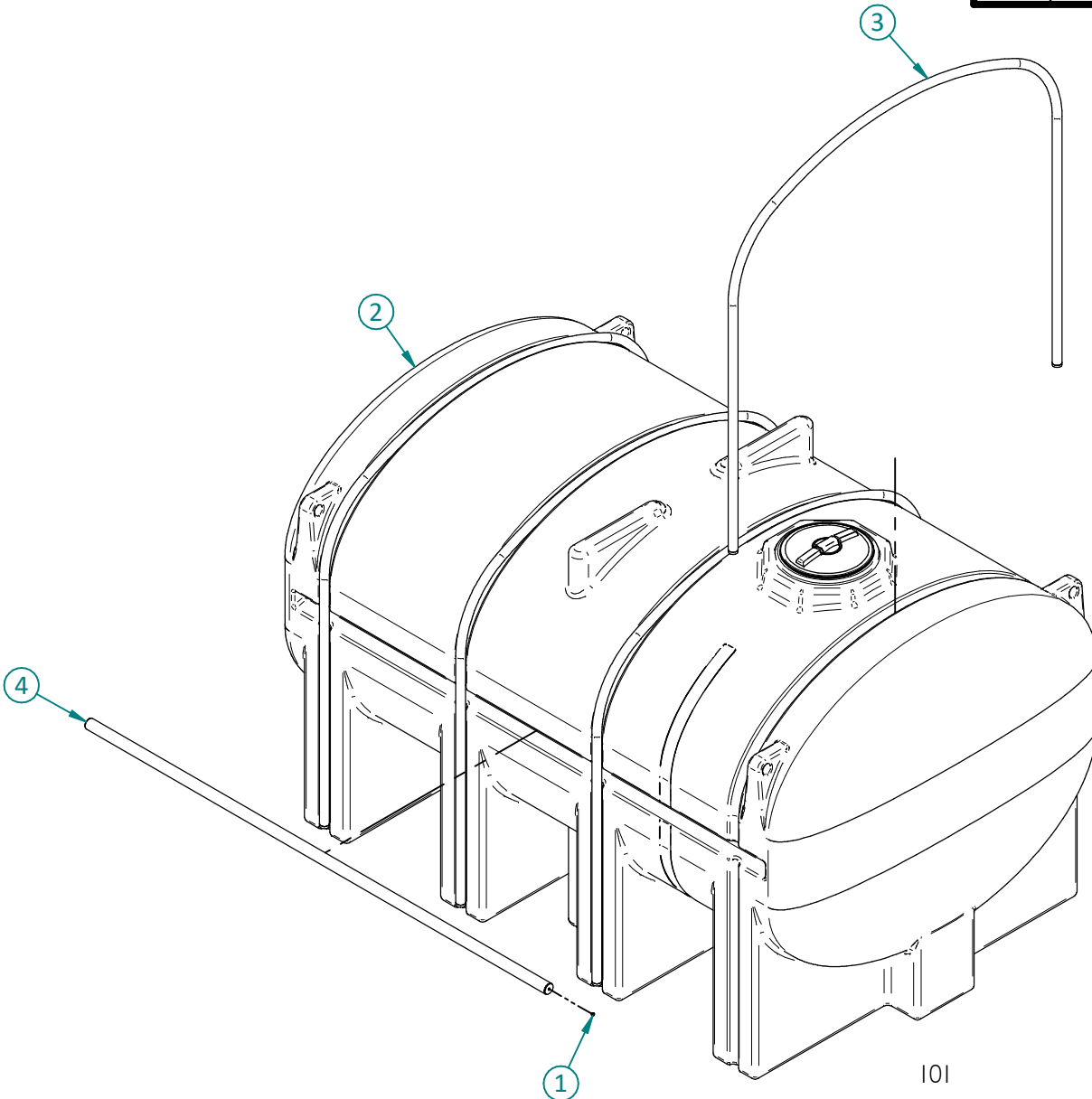
KIT400037

ITEM	PART NO.	DESCRIPTION	QTY
1	CMP101127	PL PLUG 1/2"	4
2	CMP400297	3250 GAL ELLIPT. LEG TANK W/ SUMP FULL VENT LIDS	1
3	WLD400233	TANK SIDE SUPPORT, 3250	2
4	WLD400284	3250 GAL HOOP	4



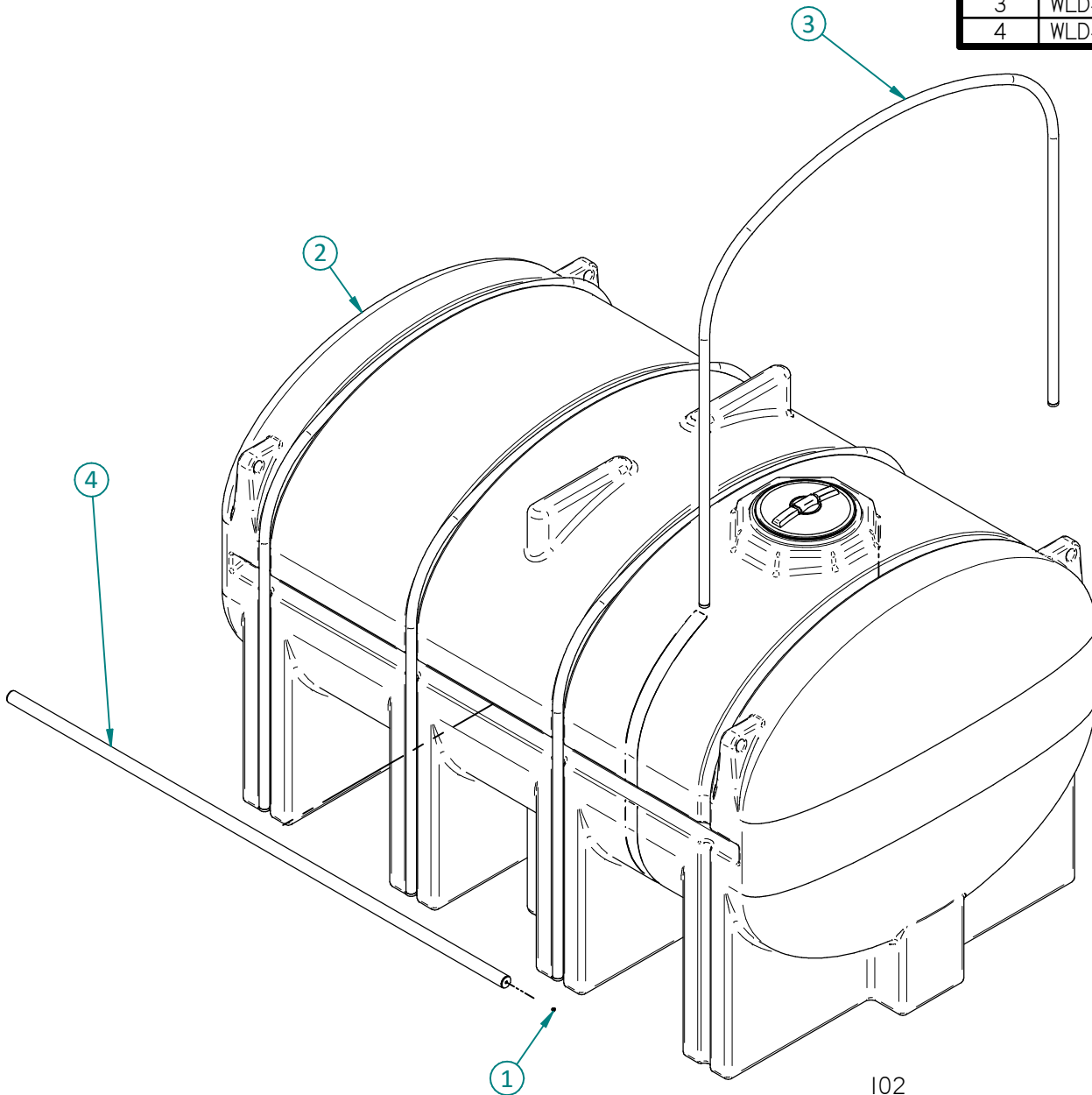
2.6 / 4.6 3750 GAL ELLIPT LEG TANK W/O SUMP & HOOPS KIT400038

ITEM	PART NO.	DESCRIPTION	QTY
1	CMP101127	PL PLUG 1/2"	4
2	CMP400233	3750 GAL ELLIPTICAL LEG TANK W/O SUMP FULL VENT LIDS	1
3	WLD400212	3750 GAL HOOPS	4
4	WLD400232	TANK SIDE SUPPORT, 3750/4250	2



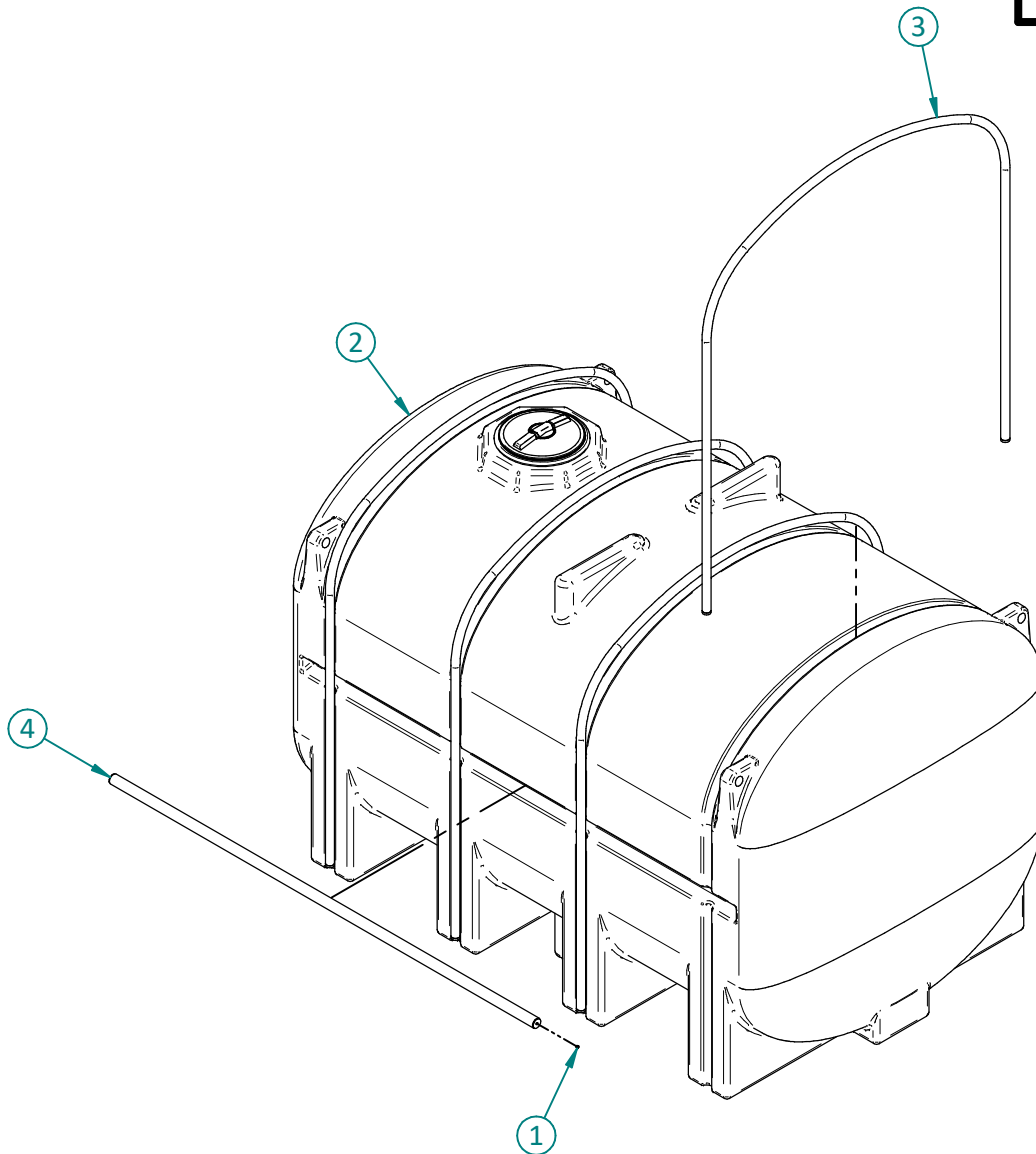
2.6 / 4.6 3750 GAL ELLIPT LEG TANK W/CENTER SUMP & HOOPS KIT400039

ITEM	PART NO.	DESCRIPTION	QTY
1	CMP101127	PL PLUG 1/2"	4
2	CMP400346	3750 GAL ELLIPTICAL LEG TANK W/ SUMP FULL VENT LIDS	1
3	WLD400212	3750 GAL HOOPS	4
4	WLD400232	TANK SIDE SUPPORT, 3750/4250	2



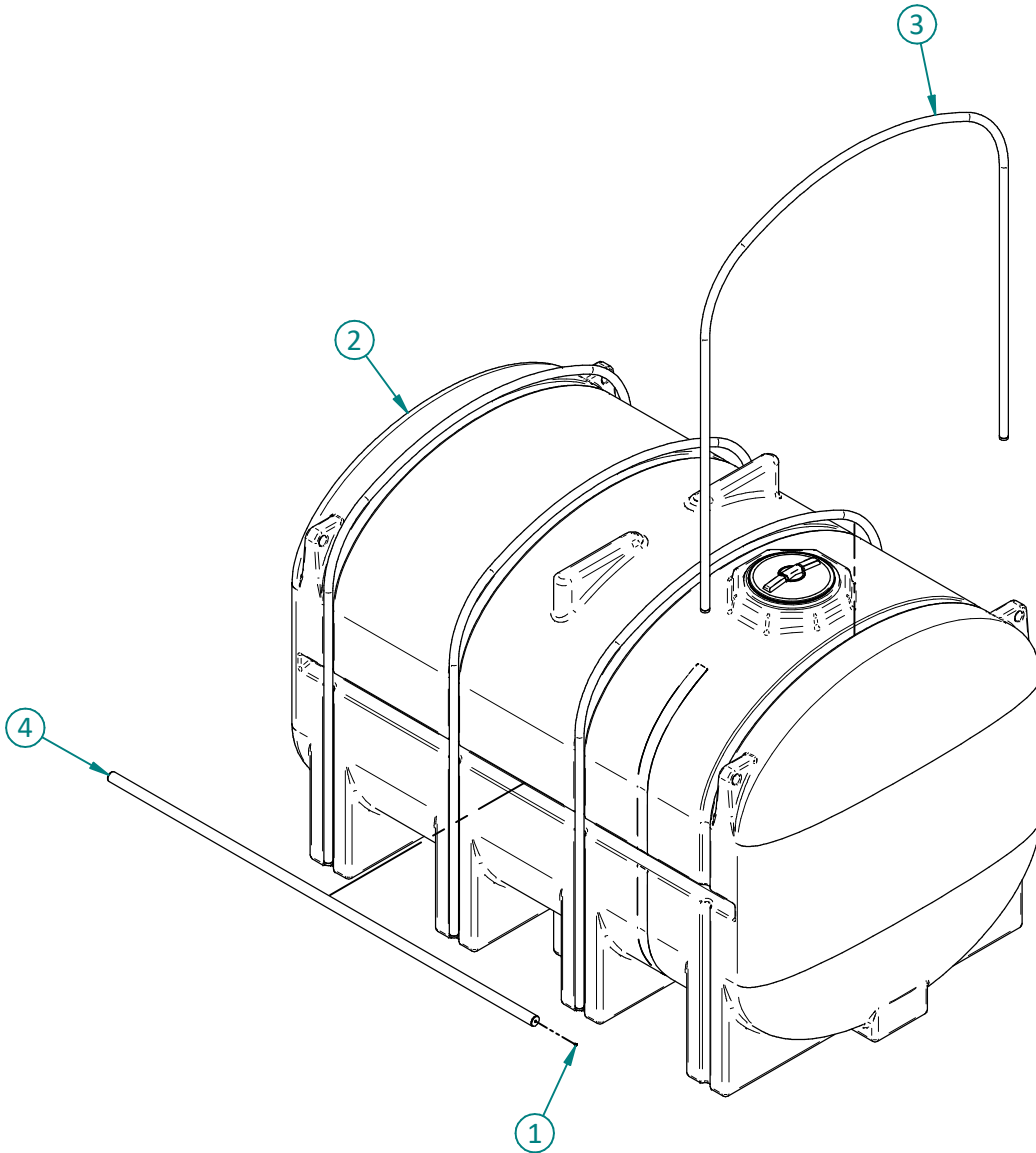
2.6 / 4.6 4250 GAL ELLIPT LEG TANK W/O SUMP & HOOPS KIT400040

ITEM	PART NO.	DESCRIPTION	QTY
1	CMP101127	PL PLUG 1/2"	4
2	CMP400237	4250 GAL ELLIPT. LEG TANK W/O SUMP FULL VENT LIDS	1
3	WLD400213	4250 GAL HOOPS	4
4	WLD400232	TANK SIDE SUPPORT, 3750/4250	2



2.6 / 4.6 4250 GAL ELLIPT LEG TANK W/CENTER SUMP & HOOPS KIT400041

ITEM	PART NO.	DESCRIPTION	QTY
1	CMP101127	PL PLUG 1/2"	4
2	CMP400296	4250 GAL ELLIPT. LEG TANK W/ SUMP FULL VENT LIDS	1
3	WLD400213	4250 GAL HOOPS	4
4	WLD400232	TANK SIDE SUPPORT, 3750/4250	2

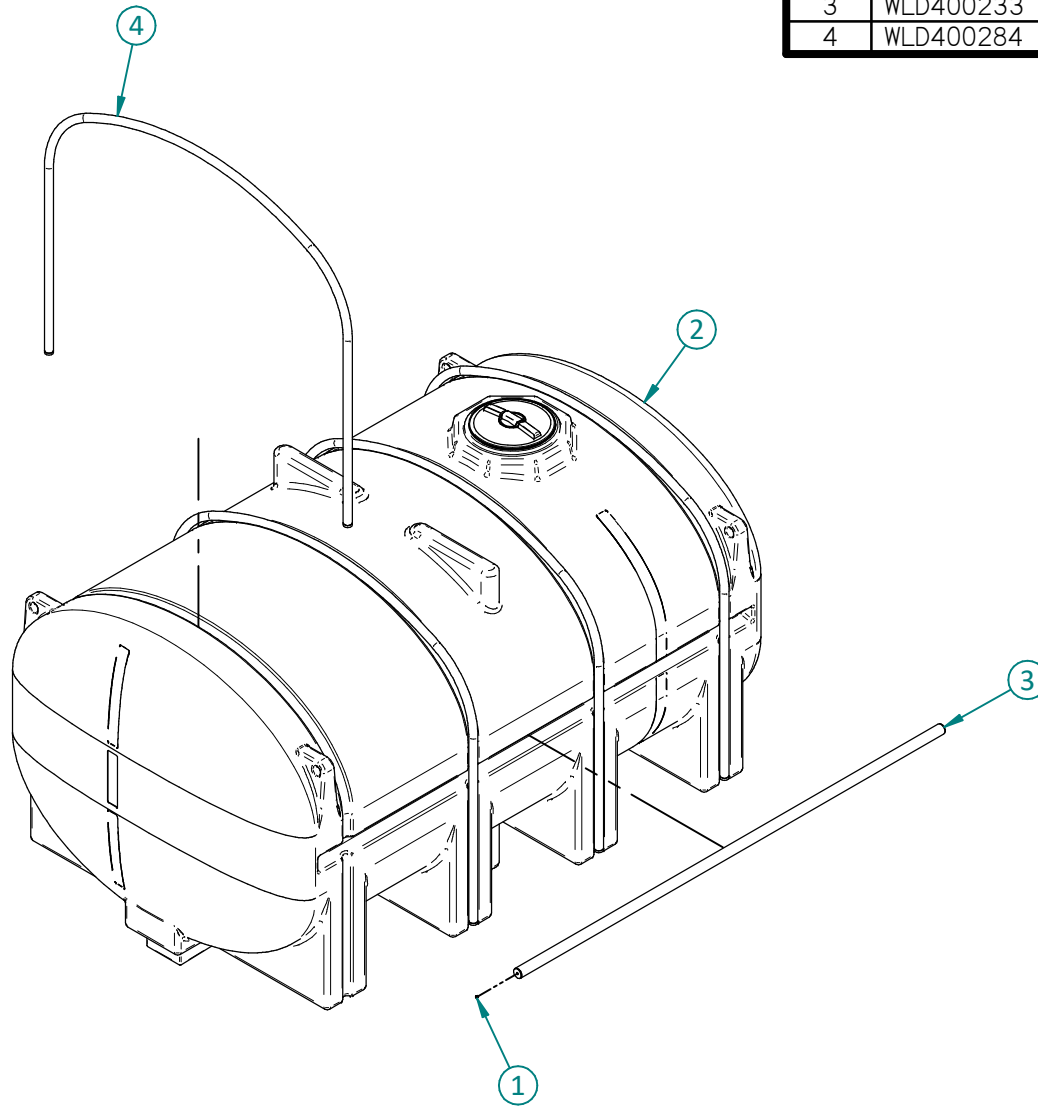


4.6

3250 GAL ELLIPT LEG TANK W/ END SUMP & HOOPS

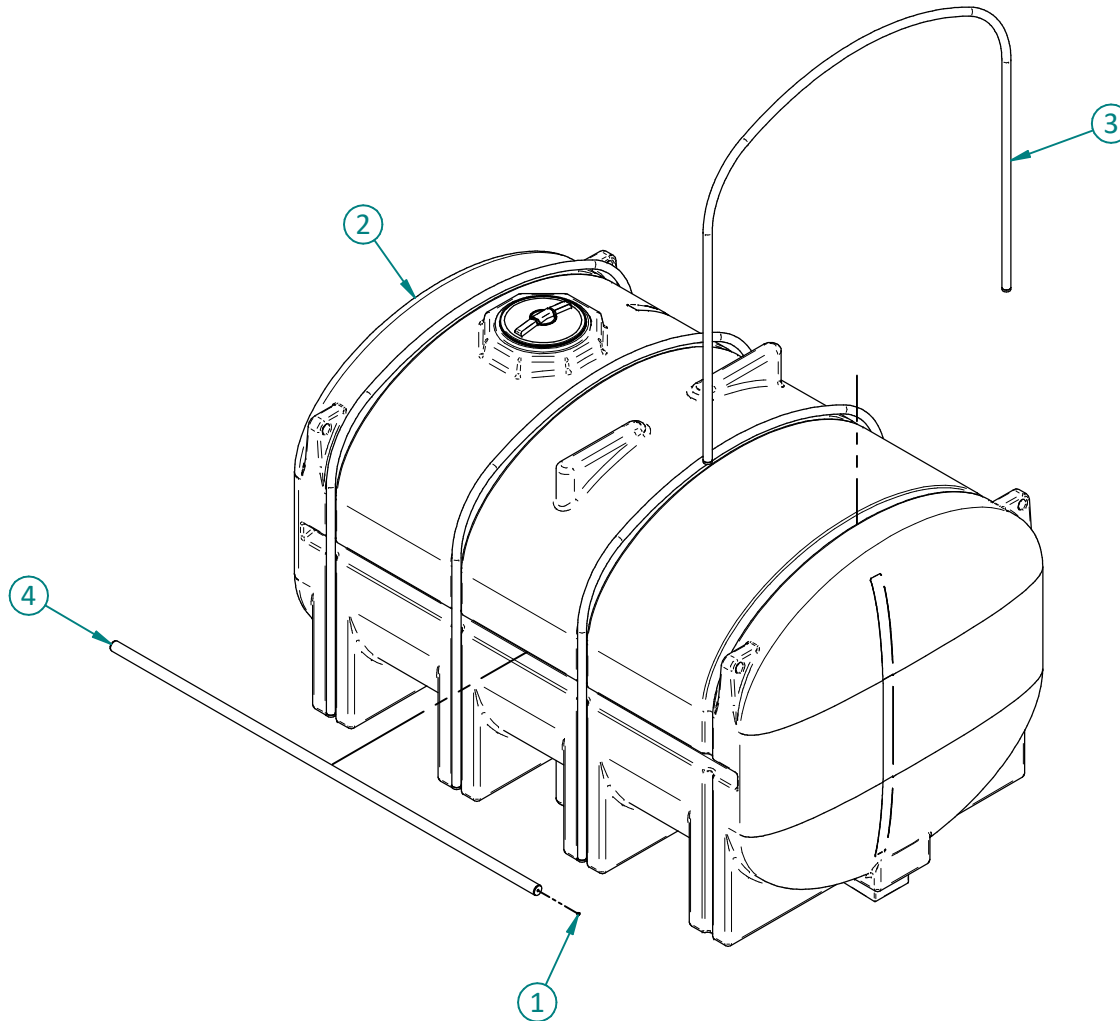
KIT400066

ITEM	PART NO.	DESCRIPTION	QTY
1	CMP101127	PL PLUG 1/2"	4
2	CMP400449	3250 GAL ELLIPT. LEG TANK END SUMP	1
3	WLD400233	TANK SIDE SUPPORT, 3250	2
4	WLD400284	3250 GAL HOOP	4



2.6 / 4.6 3750 GAL ELLIPT LEG TANK W/ END SUMP & HOOPS KIT400067

ITEM	PART NO.	DESCRIPTION	QTY
1	CMP101127	PL PLUG 1/2"	4
2	CMP400450	3750 GAL ELLIPT. LEG TANK END SUMP	1
3	WLD400212	3750 GAL HOOPS	4
4	WLD400232	TANK SIDE SUPPORT, 3750/4250	2

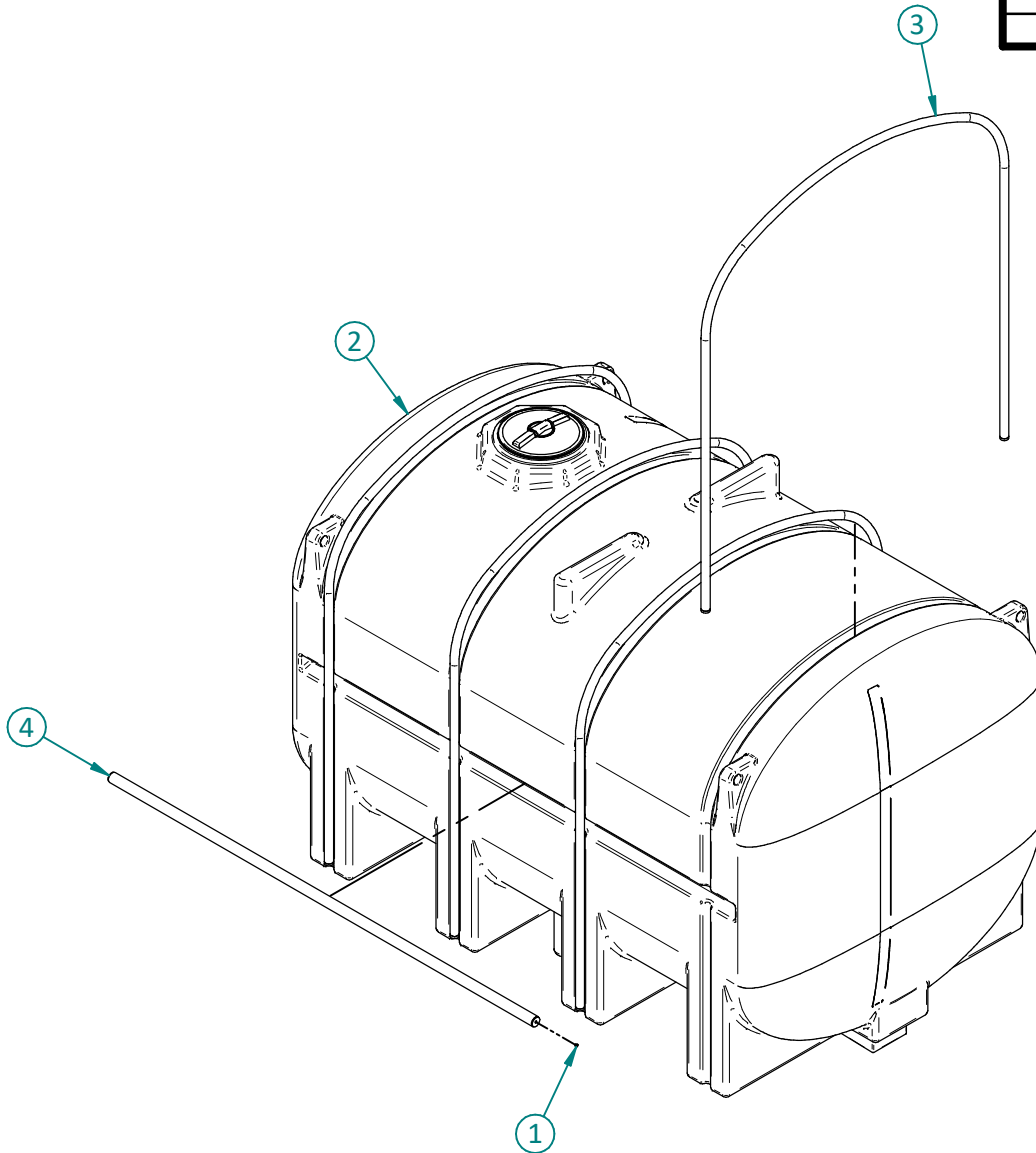


2.6 / 4.6

4250 GAL ELLIPT LEG TANK W/END SUMP & HOOPS

KIT400068

ITEM	PART NO.	DESCRIPTION	QTY
1	CMP101127	PL PLUG 1/2"	4
2	CMP400451	4250 GAL ELLIPT. LEG TANK END SUMP	1
3	WLD400213	4250 GAL HOOPS	4
4	WLD400232	TANK SIDE SUPPORT, 3750/4250	2



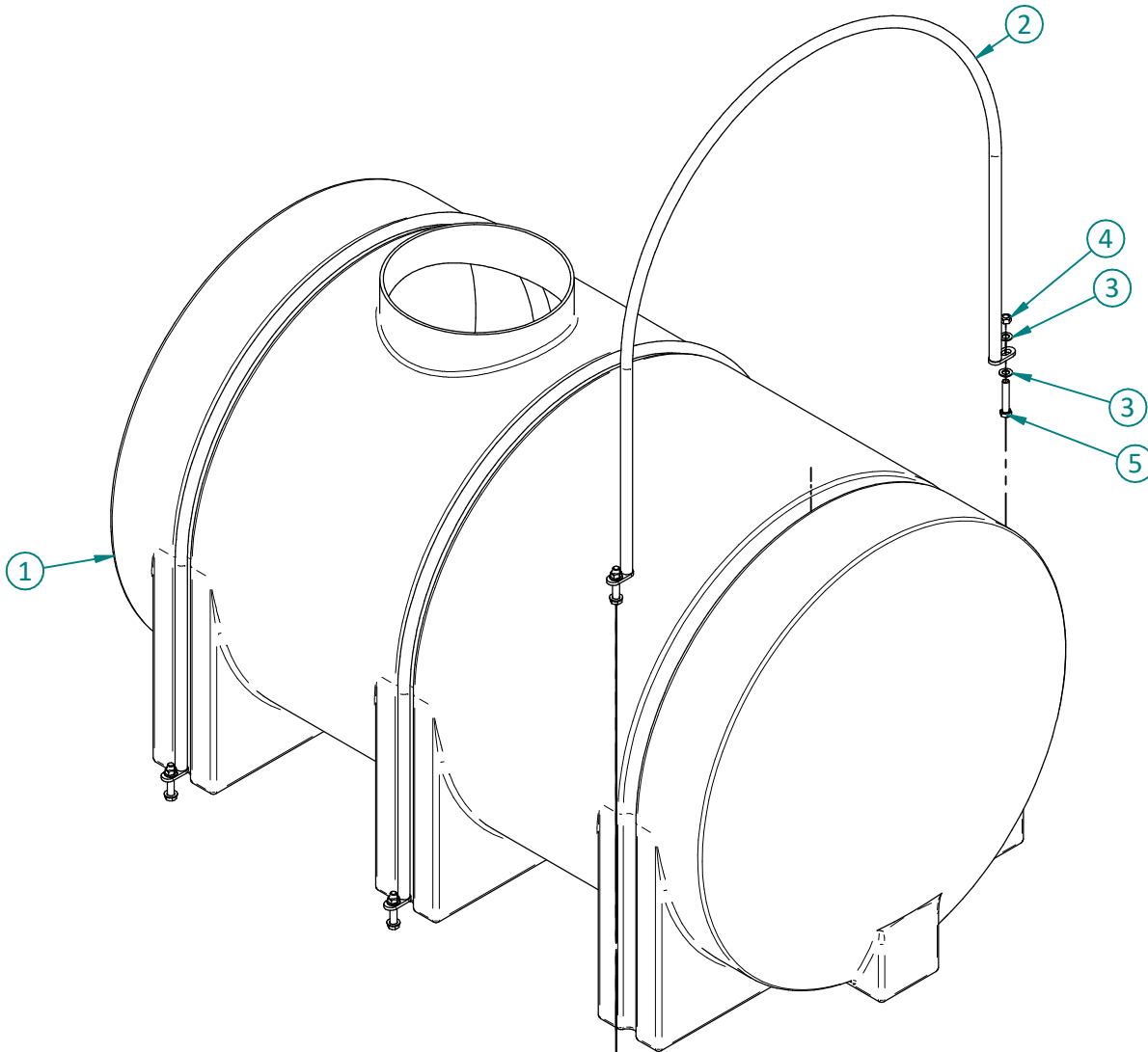
This page is intentionally left blank

2.6 / 4.6

1065 GAL TANK KIT

KIT400071

ITEM	PART NO.	DESCRIPTION	QTY
1	CMP400413	1065 GAL LEG TANK	1
2	CMP400465	1065 GAL HOOPS	3
3	FST100304	3/4" FLAT WASHER	12
4	FST100405	3/4" CRIMP NUT	6
5	FST100819	3/4" X 4" ALL THREAD CAP SCREW	6

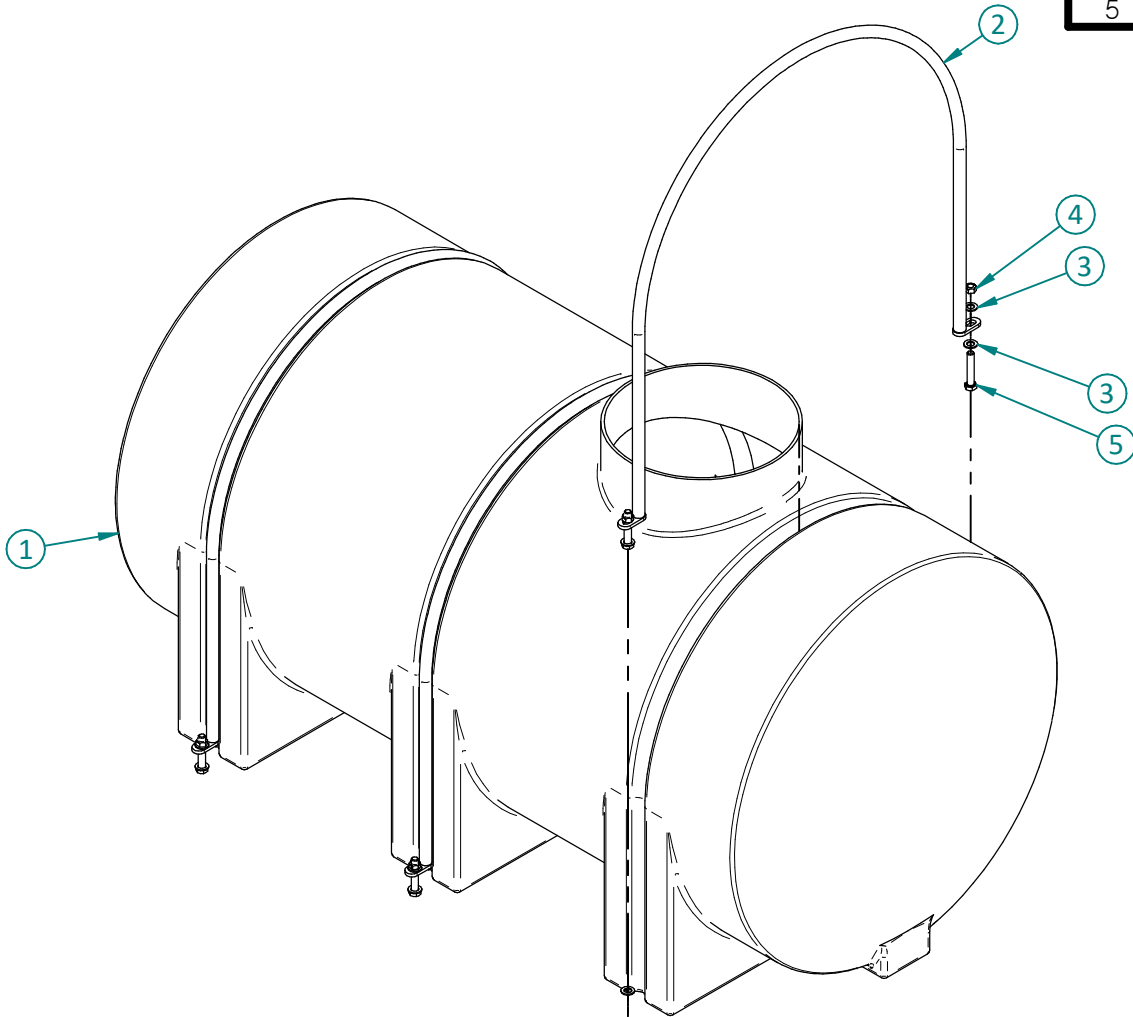


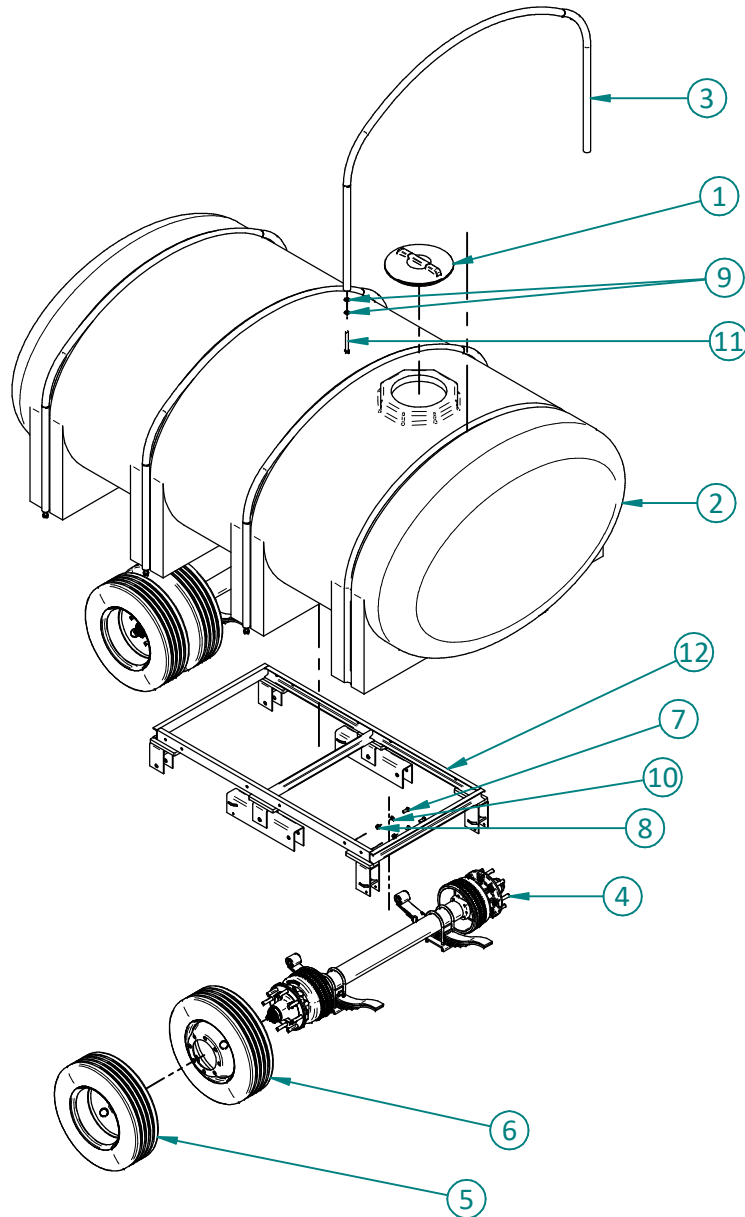
2.6 / 4.6

735 GAL TANK KIT

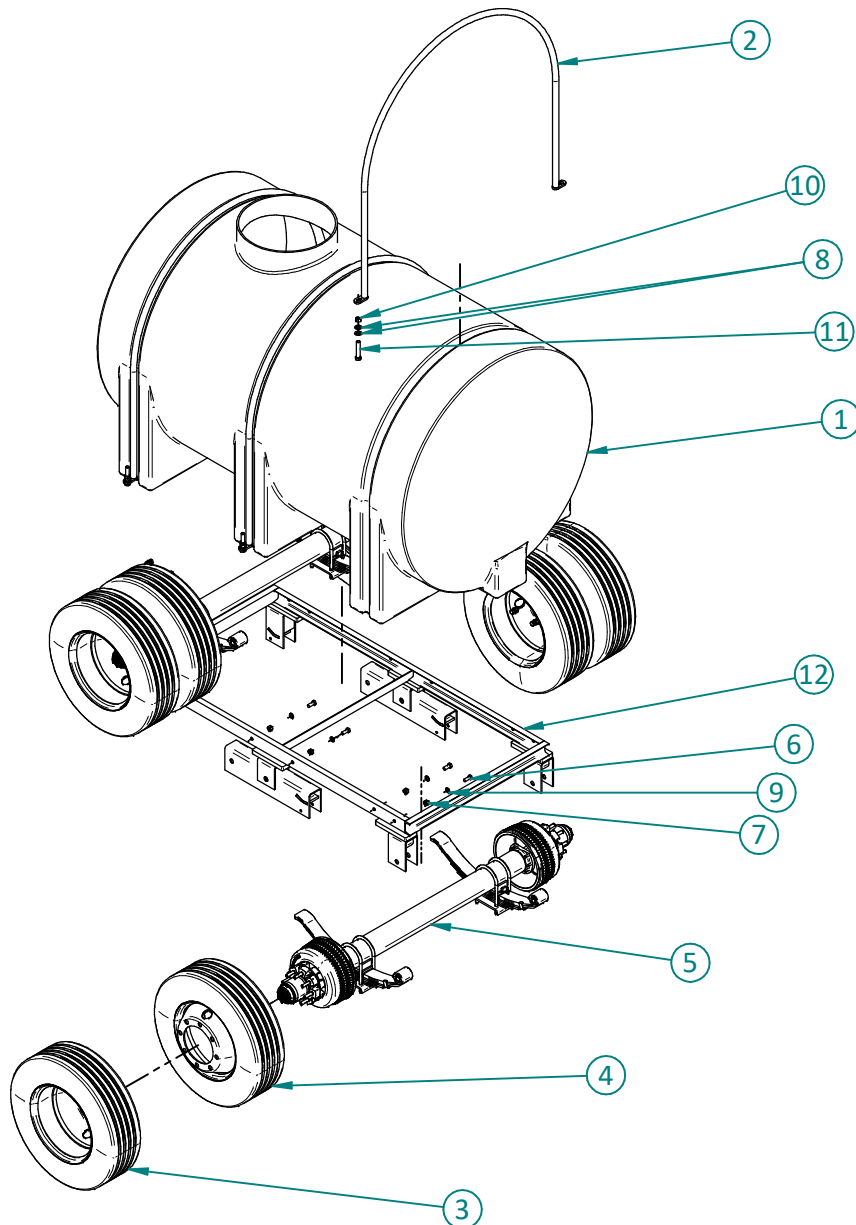
KIT400072

ITEM	PART NO.	DESCRIPTION	QTY
1	CMP400464	735 GAL LEG TANK	1
2	CMP400466	735 GAL HOOPS	3
3	FST100304	3/4" FLAT WASHER	12
4	FST100405	3/4" CRIMP NUT	6
5	FST100819	3/4" X 4" ALL THREAD CAP SCREW	6

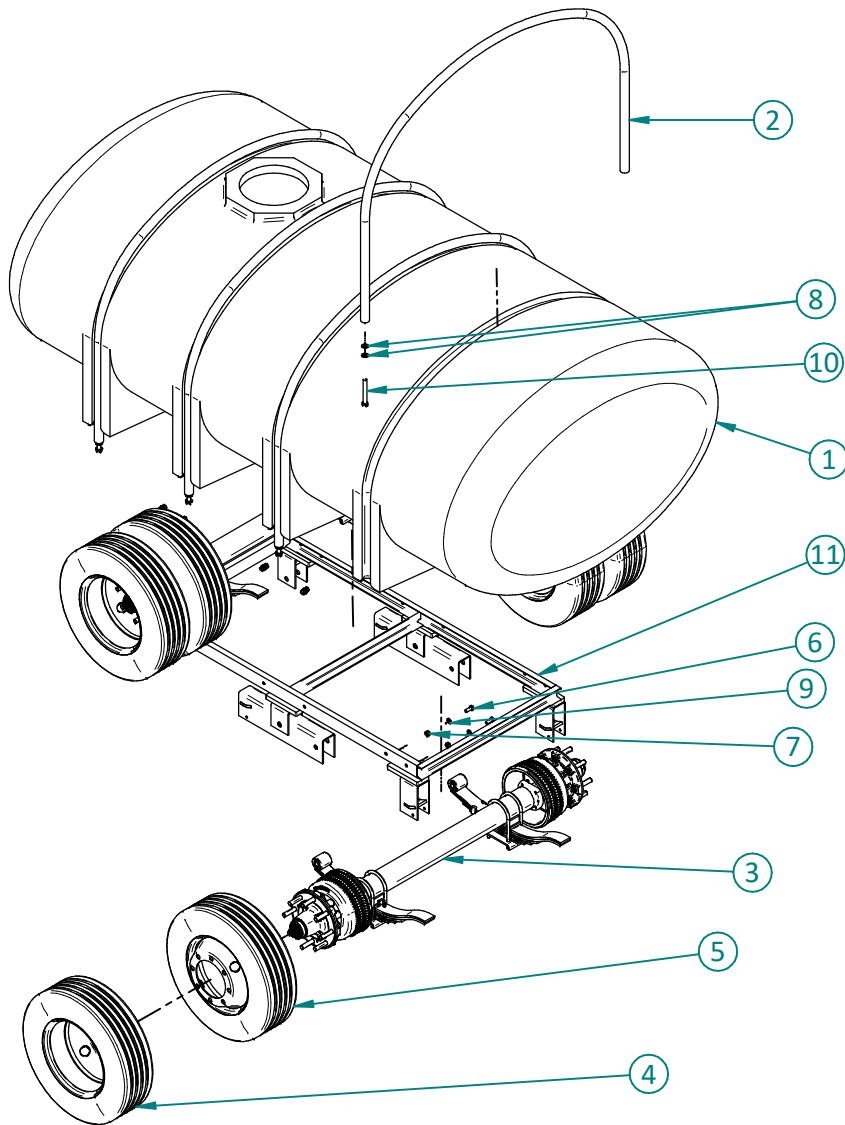


2.6 / 4.6**2350 GAL ELLIPT LEG TANK
W/ END SUMP & HOOPS W/16K AXLES****KIT400168**

ITEM	PART NO.	DESCRIPTION	QTY
1	CMP400064	16" HINGED LID ASSY (VENTED)	1
2	CMP400853	2350 GAL ELLIPTICAL TANK	1
3	CMP400906	HOOP FOR 2350GAL ELLIPTICAL TANK	4
4	CMP400954	16K LIPPERT AXLE	2
5	CMP400985	SEMI 17.5 TIRE ASSEM-8-bolt	4
6	CMP400985	SEMI 17.5 TIRE ASSEM-8-bolt	4
7	FST100185	5/8" X 1 1/2" CAP SCREW	12
8	FST100278	5/8" CRIMP NUT	12
9	FST100304	3/4" FLAT WASHER	16
10	FST100349	5/8" HARDENED WASHER	12
11	FST100917	3/4" X 6" ALL THREAD CAP SCREW	8
12	WLD400372	SLIDING AXLE WELDMNT	1

2.6 / 4.6**1065 GAL ELLIPT LEG TANK W/
END SUMP & HOOPS W/12K AXLES****KIT400169**

ITEM	PART NO.	DESCRIPTION	QTY
1	CMP400413	1065 GAL LEG TANK	1
2	CMP400465	1065 GAL HOOPS	3
3	CMP400985	SEMI 17.5 TIRE ASSEM-8-bolt	4
4	CMP400985	SEMI 17.5 TIRE ASSEM-8-bolt	4
5	CMP401326	12K LIPPERT AXLE	2
6	FSTI00185	5/8" X 1 1/2" CAP SCREW	12
7	FSTI00278	5/8" CRIMP NUT	12
8	FSTI00304	3/4" FLAT WASHER	12
9	FSTI00349	5/8" HARDENED WASHER	12
10	FSTI00405	3/4" CRIMP NUT	6
11	FSTI00819	3/4" X 4" ALL THREAD CAP SCREW	6
12	WLD400372	SLIDING AXLE WELDMENT	1

2.6 / 4.6**1610 GAL ELLIPT LEG TANK W/
END SUMP & HOOPS W/16K AXLES****KIT400170**

ITEM	PART NO.	DESCRIPTION	QTY
1	CMP400853	2350 GAL ELIPTICAL TANK	1
2	CMP400906	HOOP FOR 1610 GAL ELIPTICAL TANK	4
3	CMP400954	16K LIPPERT AXLE	2
4	CMP400985	SEMI 17.5 TIRE ASSEM-8-bolt	4
5	CMP400985	SEMI 17.5 TIRE ASSEM-8-bolt	4
6	FST100185	5/8" X 1 1/2" CAP SCREW	12
7	FST100278	5/8" CRIMP NUT	12
8	FST100304	3/4" FLAT WASHER	16
9	FST100349	5/8" HARDENED WASHER	12
10	FST100917	3/4" X 6" ALL THREAD CAP SCREW	8
11	WLD400372	SLIDING AXLE WELDMENT	1

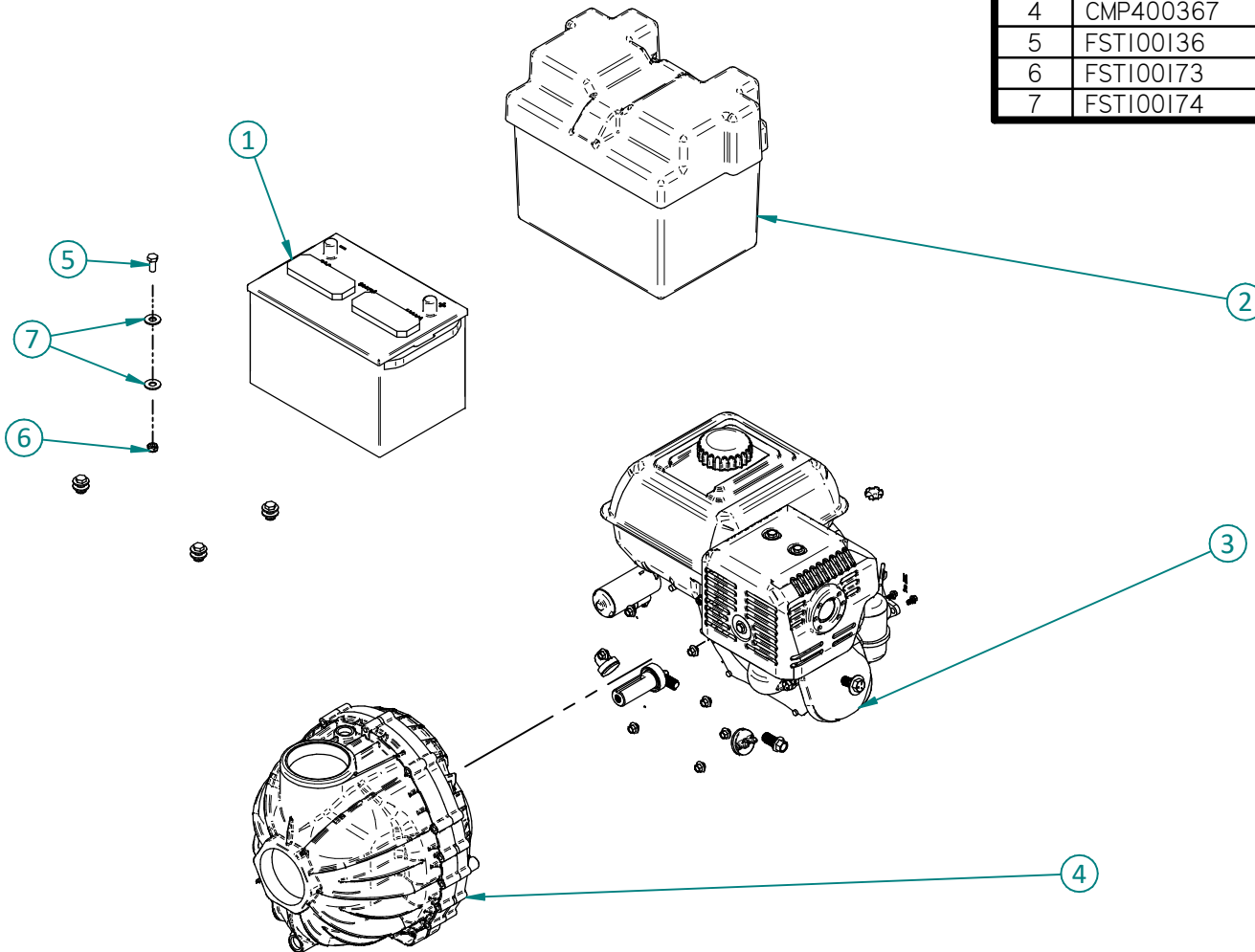
This page is intentionally left blank

2.6 / 4.6

3" PUMP W/13 HP HONDA KIT

KIT400029

ITEM	PART NO.	DESCRIPTION	QTY
1	CMP400053	12V BATTERY	1
2	CMP400058	BATTERY CASE	1
3	CMP400366	HONDA GX390 ENGINE W/ ELEC	1
4	CMP400367	3" POLY PUMP	1
5	FST100136	5/16" x 3/4" BOLT	4
6	FST100173	5/16" LOCK NUT	4
7	FST100174	5/16" FLAT WASHER	8

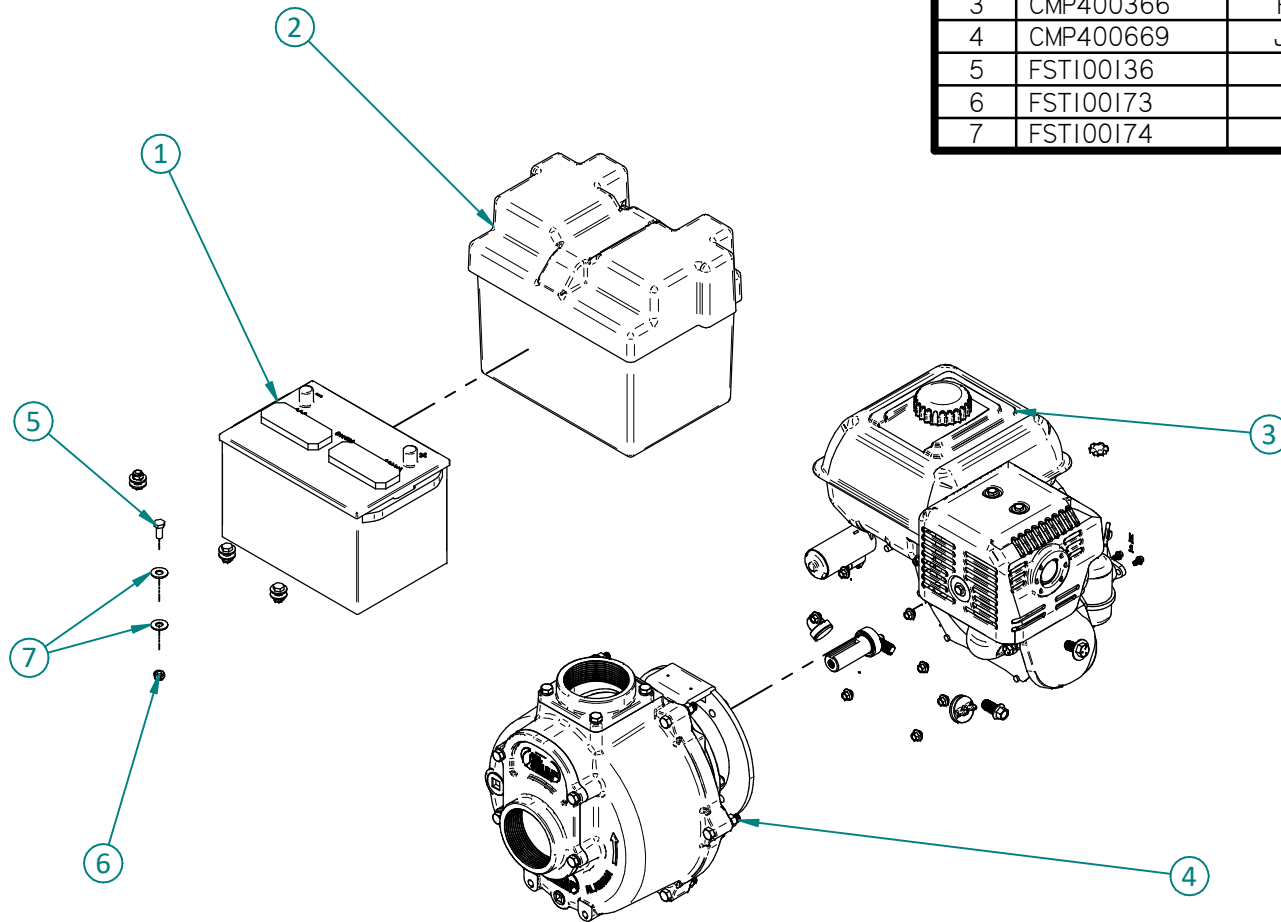


2.6 / 4.6

JOHN BLUE CAST IRON PUMP. 13 HP

KIT400130

ITEM	PART NO.	DESCRIPTION	QTY
1	CMP400053	12V BATTERY	1
2	CMP400058	BATTERY CASE	1
3	CMP400366	HONDA GX390 ENGINE W/ ELEC	1
4	CMP400669	JOHN BLUE PUMP SP-3350-BS	1
5	FST100136	5/16" x 3/4" BOLT	4
6	FST100173	5/16" LOCK NUT	4
7	FST100174	5/16" FLAT WASHER	8

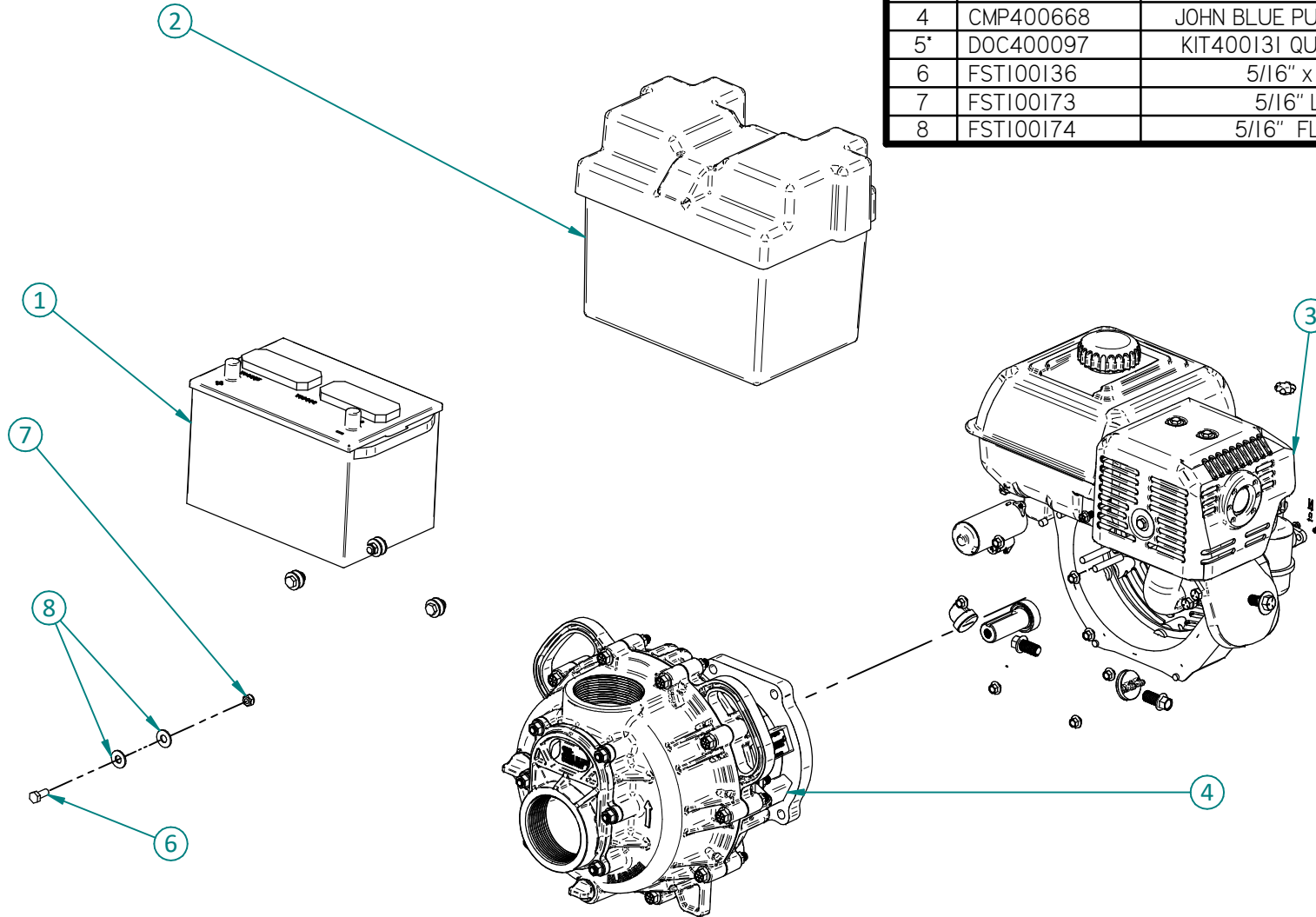


2.6 / 4.6

JOHN BLUE PUMP, 13 HP

KIT400131

ITEM	PART NO.	DESCRIPTION	QTY
1	CMP400053	12V BATTERY	1
2	CMP400058	BATTERY CASE	1
3	CMP400366	HONDA GX390 ENGINE W/ ELEC	1
4	CMP400668	JOHN BLUE PUMP PSP-3340-BS	1
5*	DOC400097	KIT400131 QUICK START GUIDE	1
6	FST100136	5/16" x 3/4" BOLT	4
7	FST100173	5/16" LOCK NUT	4
8	FST100174	5/16" FLAT WASHER	8

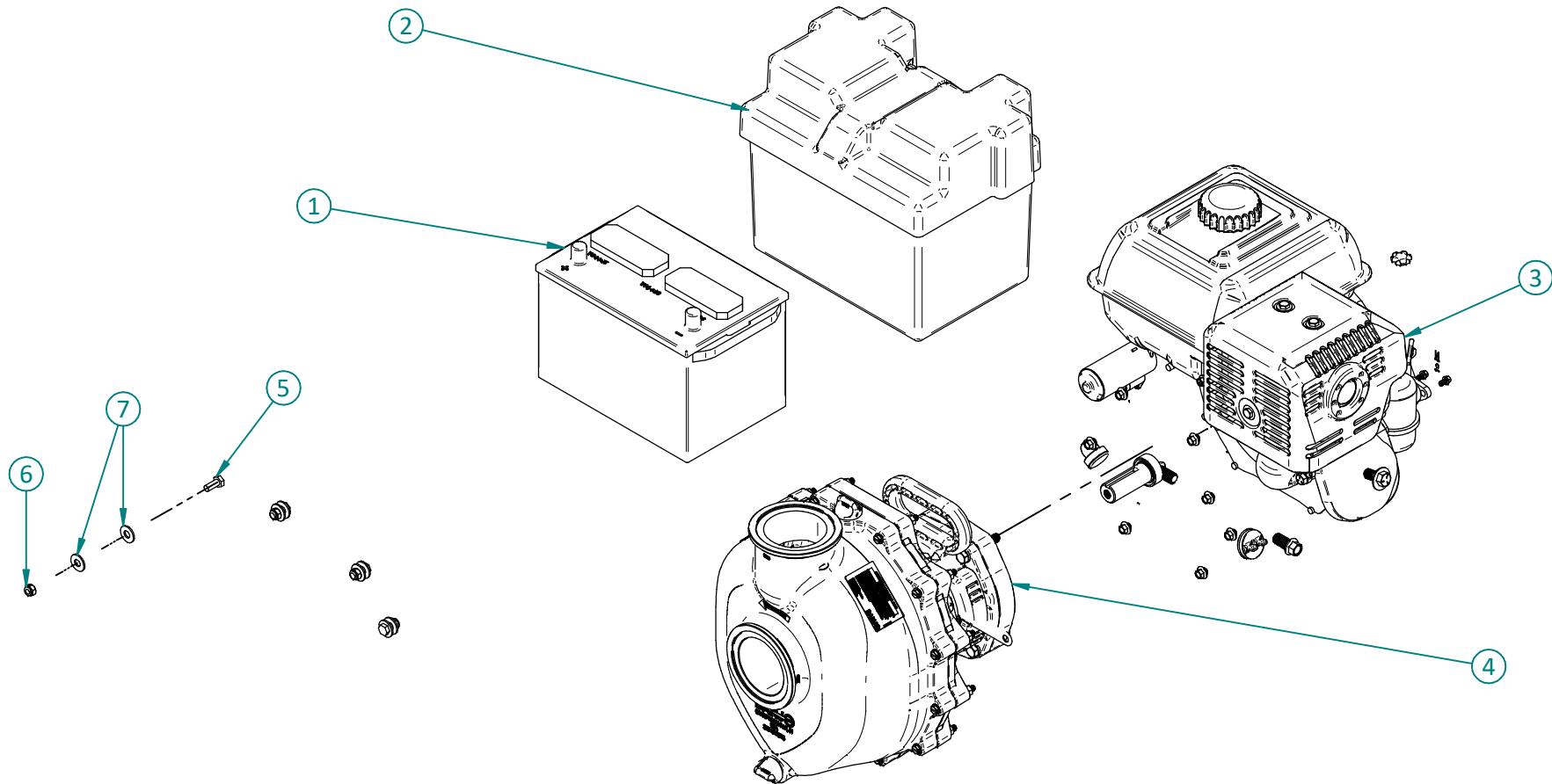


2.6 / 4.6

BANJO WET SEAL PUMP, 13 HP

KIT400133

ITEM	PART NO.	DESCRIPTION	QTY
1	CMP400053	12V BATTERY	1
2	CMP400058	BATTERY CASE	1
3	CMP400366	HONDA GX390 ENGINE W/ ELEC	1
4	CMP400765	3" WET SEAL POLY PUMP ONLY	1
5	FST100136	5/16" x 3/4" BOLT	4
6	FST100173	5/16" LOCK NUT	4
7	FST100174	5/16" FLAT WASHER	8





PhiBer Manufacturing Inc.
Box 58 Crystal City, MB
Canada R0K 0N0