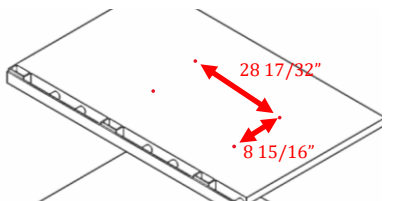
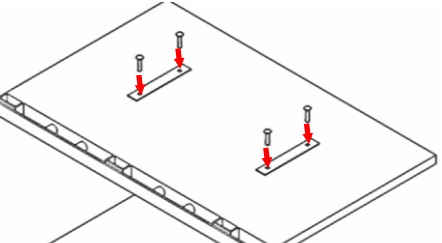
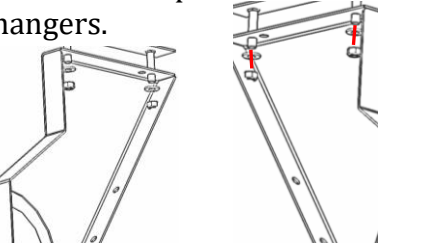
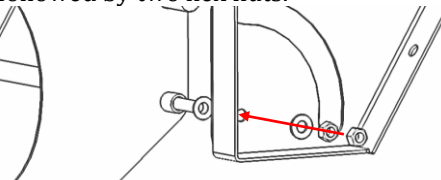
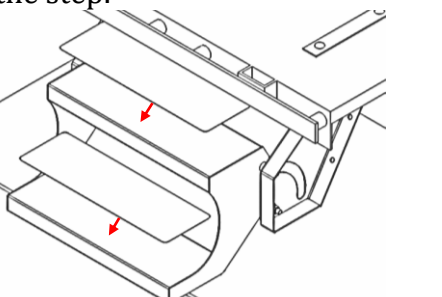
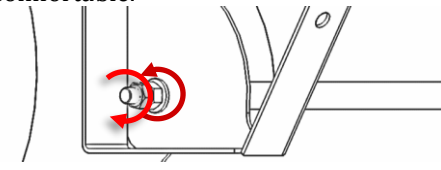
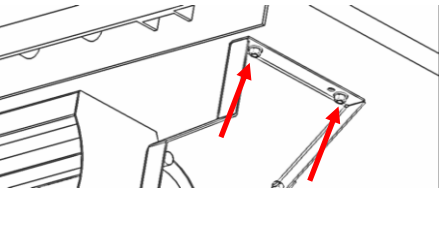
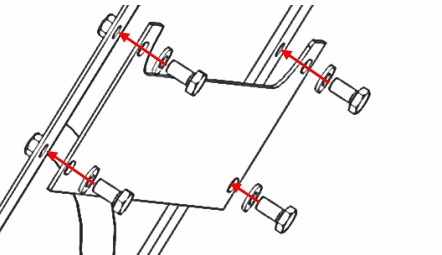
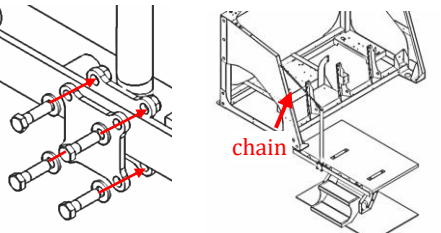


Quick Start Guide – KIT400055 TRAILER STEPS (34" DECK)

Installation

Refer to operators manual for complete safety and operation info.

<p>1 -</p> <p>Use DOC400000 as a template to drill four 11/16" holes into the trailer deck. Use the holes that are 8 15/16" apart, rather than the ones that are 7 59/64" apart.</p> 	<p>2 -</p> <p>Align both the top plates with the holes and insert the carriage bolts.</p> 	<p>3 -</p> <p>Underneath the deck, use the supplied fasteners to loosely attach the step hangers.</p> 
<p>4 -</p> <p>Put the step rod through both brackets, with the steps in between. Separate steps from side hangers with nylon washers. Put hardened washers on the outsides of the brackets, followed by two hex nuts.</p> 	<p>5 -</p> <p>Apply the anti-slip surfaces to the step.</p> 	<p>6 -</p> <p>Use two nuts together as a jam to lock the steps in place on both sides, once the amount of resistance when deploying/folding the steps is comfortable.</p> 
<p>7 -</p> <p>Finish tightening the bolts holding the side hangers to the bottom of the deck.</p> 	<p>8 -</p> <p>Use supplied fasteners to add the brace onto the back of the brackets.</p> 	<p>9 -</p> <p>Use supplied fasteners to attach handle to deck. Attach included chain to DASH frame if desired.</p> 

DOC400054



P.O. Box 58, Crystal City, MB R0K 0N0 / P.O. Box 54, Sarles, ND 58372

Product Use

<p>1 - Fold out the steps for use.</p>	
<p>2 - Carefully ascend and descend the steps as needed while using your trailer, using the handle to steady yourself if necessary. Note that the anti-slip surfaces make it considerably more difficult to slip and fall while performing this operation.</p>	
<p>3 -</p>	<p>When done using steps, fold them back into the brackets.</p>

DOC400054